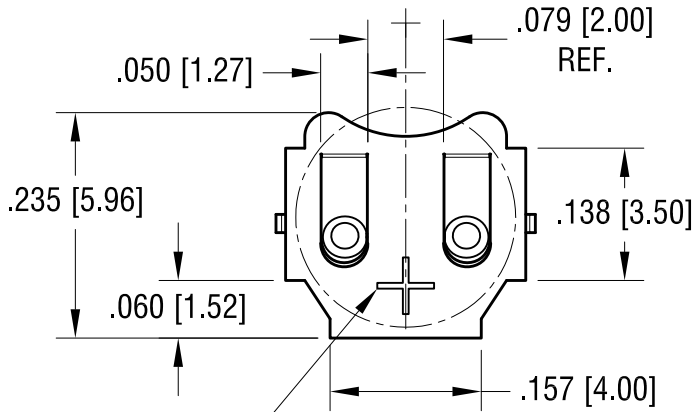
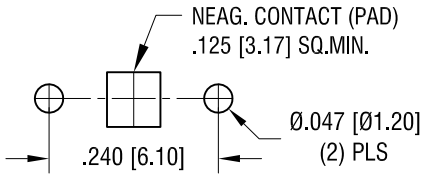


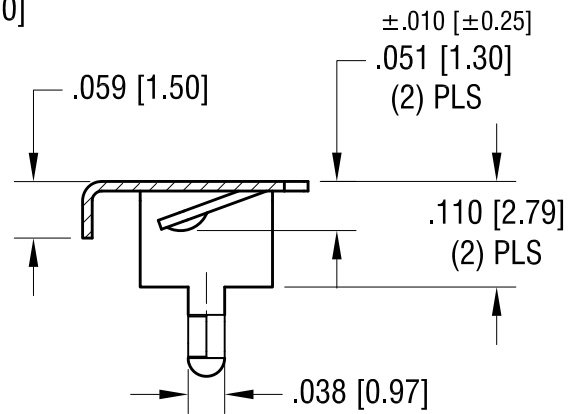
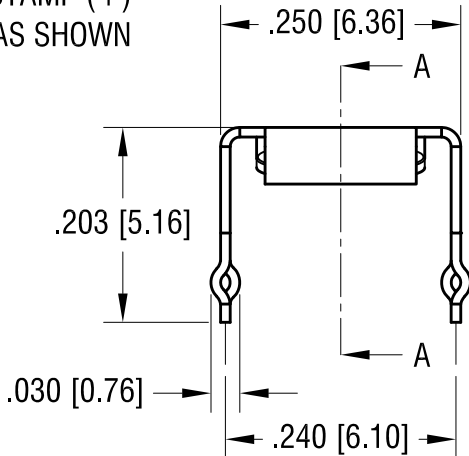
MOUNTING LAYOUT

THIS DOCUMENT IS THE PROPERTY OF KEYSTONE ELECTRONICS CORP. AND SHALL NOT BE REPRODUCED, DISTRIBUTED OR USED AS A BASIS FOR MANUFACTURE WITHOUT PRIOR WRITTEN PERMISSION FROM KEYSTONE ELECTRONICS CORP.

ACTUAL SIZE



STAMP (+)
AS SHOWN



KEYSTONE ELECTRONICS CORP.

www.keyelco.com • NEW HYDE PARK, NY 11040 • Tel (516) 328-7500

PART NAME

5.8mm THM BUTTON CELL RETAINER

MATERIAL

.010 [0.25] TH'K PHOSPHOR BRONZE

FINISH

TIN NICKEL PLATE

DRN BY

NT

DATE

4.24.18

APP'D

RH

SCALE

5X

TOLERANCES

INCH [MM]

CODE

DWG NO.

DECIMAL ±.005 [±0.13]

C

ANGULAR ± 1°
UNLESS OTHERWISE SPECIFIED

2987

DATE

DESCRIPTION

REV.