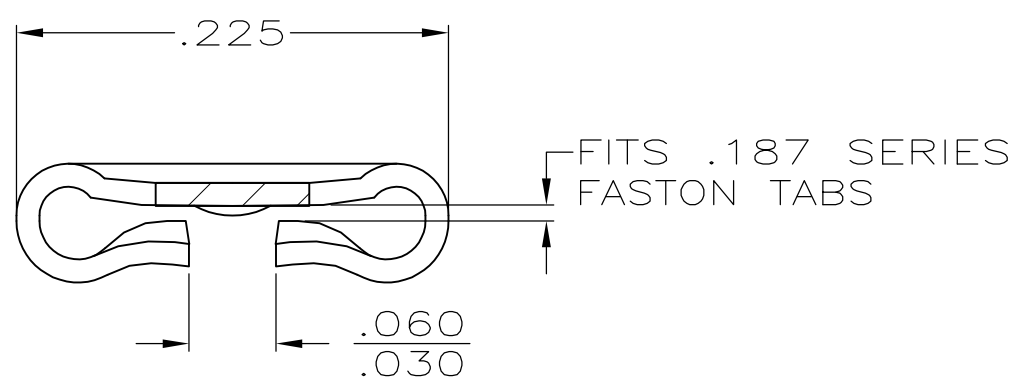
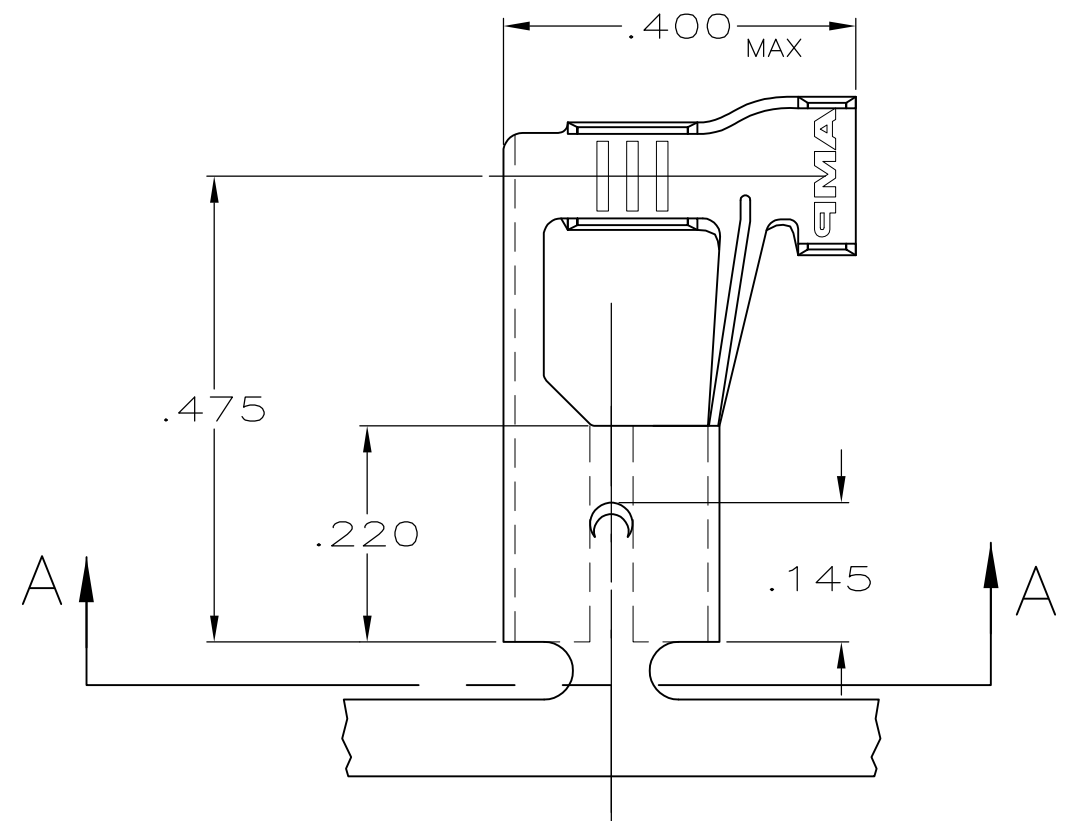
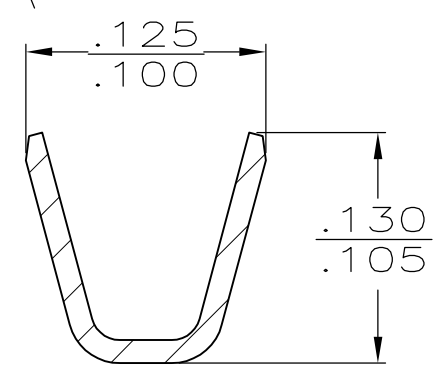


THIS DRAWING IS UNPUBLISHED. RELEASED FOR PUBLICATION
 © COPYRIGHT - By - ALL RIGHTS RESERVED.

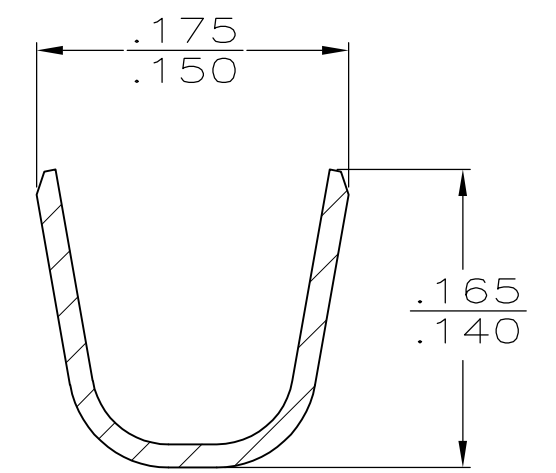
LOC	DIST	REVISIONS					
AF	50	P	LTR	DESCRIPTION	DATE	DWN	APVD
		J		REVISED PER ECR-12-013459	28NOV2012	KH	PD



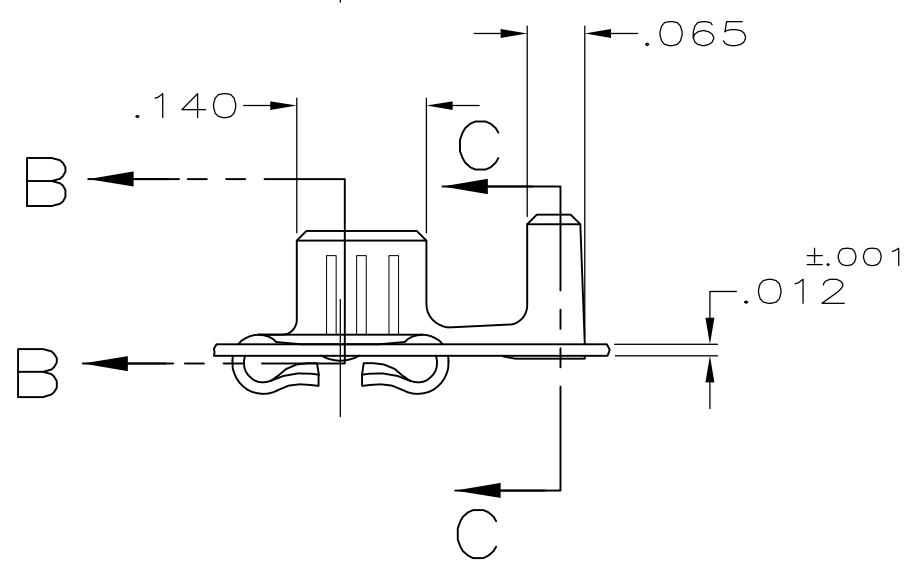
SECTION A-A
SCALE 10:1



SECTION B-B
SCALE 10:1



SECTION C-C
SCALE 10:1



1 CONTINUOUS STRIP ON REELS.

.090-.130 DIA	20-16 AWG	TIN	.020	60755-2
		-		60755-1
INSULATION RANGE	WIRE SIZE	FINISH	MATING TAB THK #.001	PART NUMBER

THIS DRAWING IS A CONTROLLED DOCUMENT.		DWN JR RUTH 11/5/91	TE Connectivity RECEPTACLE, FASTON, FLAG, .187 SERIES											
DIMENSIONS: INCHES		CHK MS FEHER 11/5/91												
TOLERANCES UNLESS OTHERWISE SPECIFIED:		APVD C MEYERS 11/5/91												
<table border="0"> <tr><td>0 PLC</td><td>± -</td></tr> <tr><td>1 PLC</td><td>± -</td></tr> <tr><td>2 PLC</td><td>± -</td></tr> <tr><td>3 PLC</td><td>± .015</td></tr> <tr><td>4 PLC</td><td>± -</td></tr> <tr><td>ANGLES</td><td>± -</td></tr> </table>		0 PLC				± -	1 PLC	± -	2 PLC	± -	3 PLC	± .015	4 PLC	± -
0 PLC	± -													
1 PLC	± -													
2 PLC	± -													
3 PLC	± .015													
4 PLC	± -													
ANGLES	± -													
MATERIAL BRASS	FINISH SEE TABLE	PRODUCT SPEC -	APPLICATION SPEC -	WEIGHT -	RESTRICTED TO -									
CUSTOMER DRAWING			SIZE A3	CAGE CODE 00779	DRAWING NO C-60755									
			SCALE 5:1	SHEET 1 OF 1	REV J									