

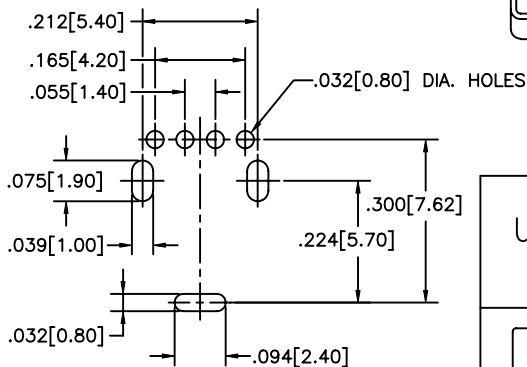
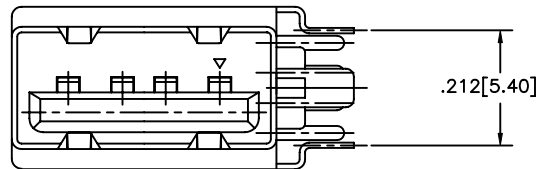
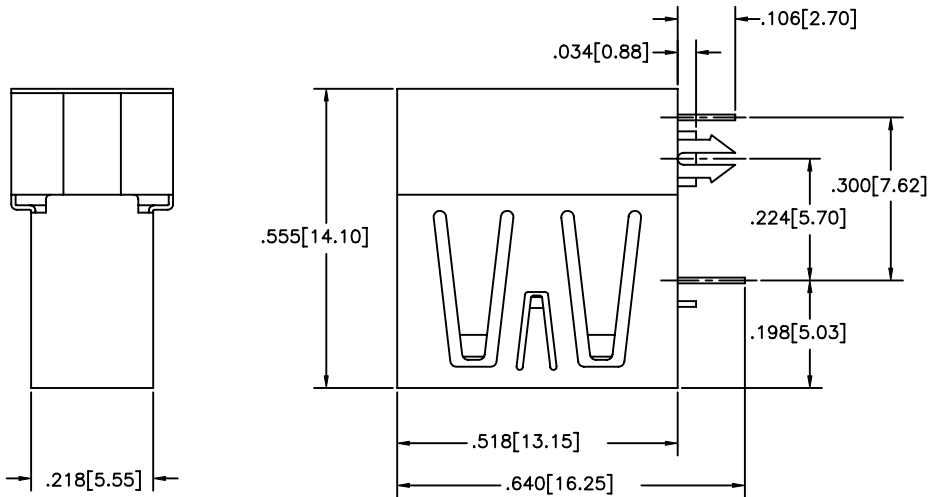
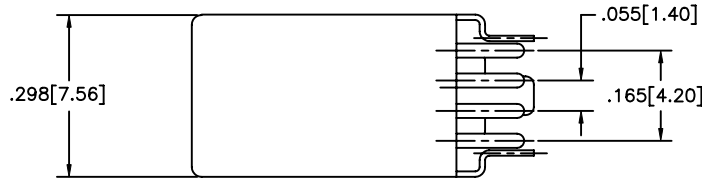
THIS IS A C.A.D. GENERATED DRAWING  
DO NOT MAKE MANUAL REVISIONS TO MASTER.



ISSUE NUMBER

ORIGINAL

①



**ELECTRICAL:**

CONTACT CURRENT: 1 AMP  
DIELECTRIC WITHSTANDING VOLTAGE: 750 VAC R.M.S.  
INSULATION RESISTANCE: 1000 MEGOHMS MIN.  
CONTACT RESISTANCE: 30 MILLIOHMS MAX.

**MATERIALS:**

SHELL: COPPER ALLOY, TIN-LEAD PLATED  
CONTACTS: COPPER ALLOY GOLD PLATE ON CONTACT AREA  
TIN-LEAD ON TAIL END  
GOLD FLASH 261 CONTACT CODE  
15 MICROINCHES OF GOLD 361 CONTACT CODE  
30 MICROINCHES OF GOLD 661 CONTACT CODE  
INSULATOR: THERMOPLASTIC (HIGH TEMPERATURE RESISTANCE)

PART NUMBER: 690-004-261-013

CONTACT CODE \_\_\_\_\_

USB CONNECTOR "A" TYPE, RECEPTACLE RIGHT ANGLE  
VERTICAL

**EDAC** EDAC INC  
TORONTO, ONTARIO  
CANADA  
YOUR CONNECTION TO QUALITY & SERVICE

THESE DRAWINGS AND SPECIFICATIONS  
ARE THE PROPERTY OF EDAC INC., AND  
SHALL NOT BE REPRODUCED, OR COPIED  
OR USED AS THE BASIS FOR THE  
MANUFACTURE OR SALE OF APPARATUS  
WITHOUT WRITTEN PERMISSION.

ACAD REFERENCE NO. 690-004-261-013

DRAWN: F.BRIONES DATE: JAN.22/04

CHECKED: DATE:

SCALE: (IN C.A.D. 1:1) SHEET 1 OF 1

DRAWING NUMBER 690-004-261-013 ISSUE 1