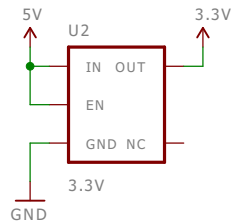
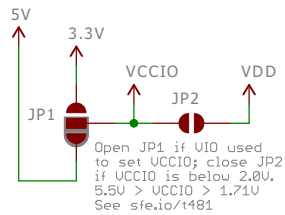
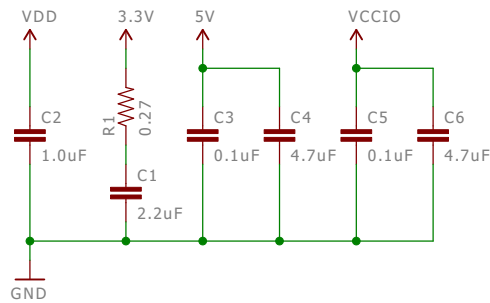
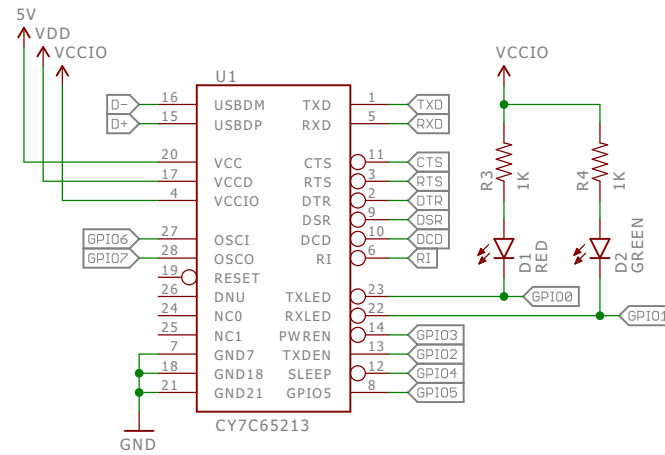


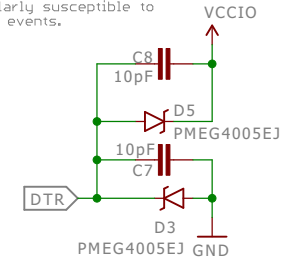
# Power Supply and Distribution



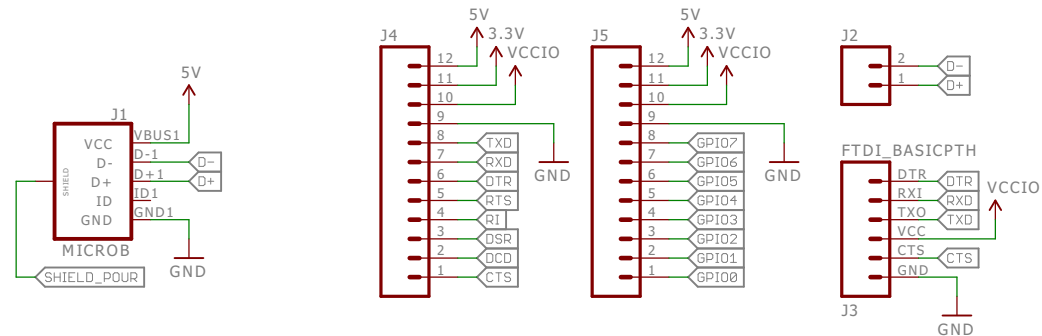
UDD protection circuit  
Use of battery charger may cause spikes on 5V line.



D3 and D5 clamp DTR to VCCIO and GND during Arduino programming. This chip is particularly susceptible to latchup events.



# CY7C65213 Connectors



Released under the Creative Commons Attribution Share-Alike 4.0 License  
<https://creativecommons.org/licenses/by-sa/4.0/>

TITLE: SparkFun\_Cypress\_USBUART\_BOB

Design by: Mike Hord

REV: 10

Date: 2/2/2017 10:19 AM

Sheet: 1/1