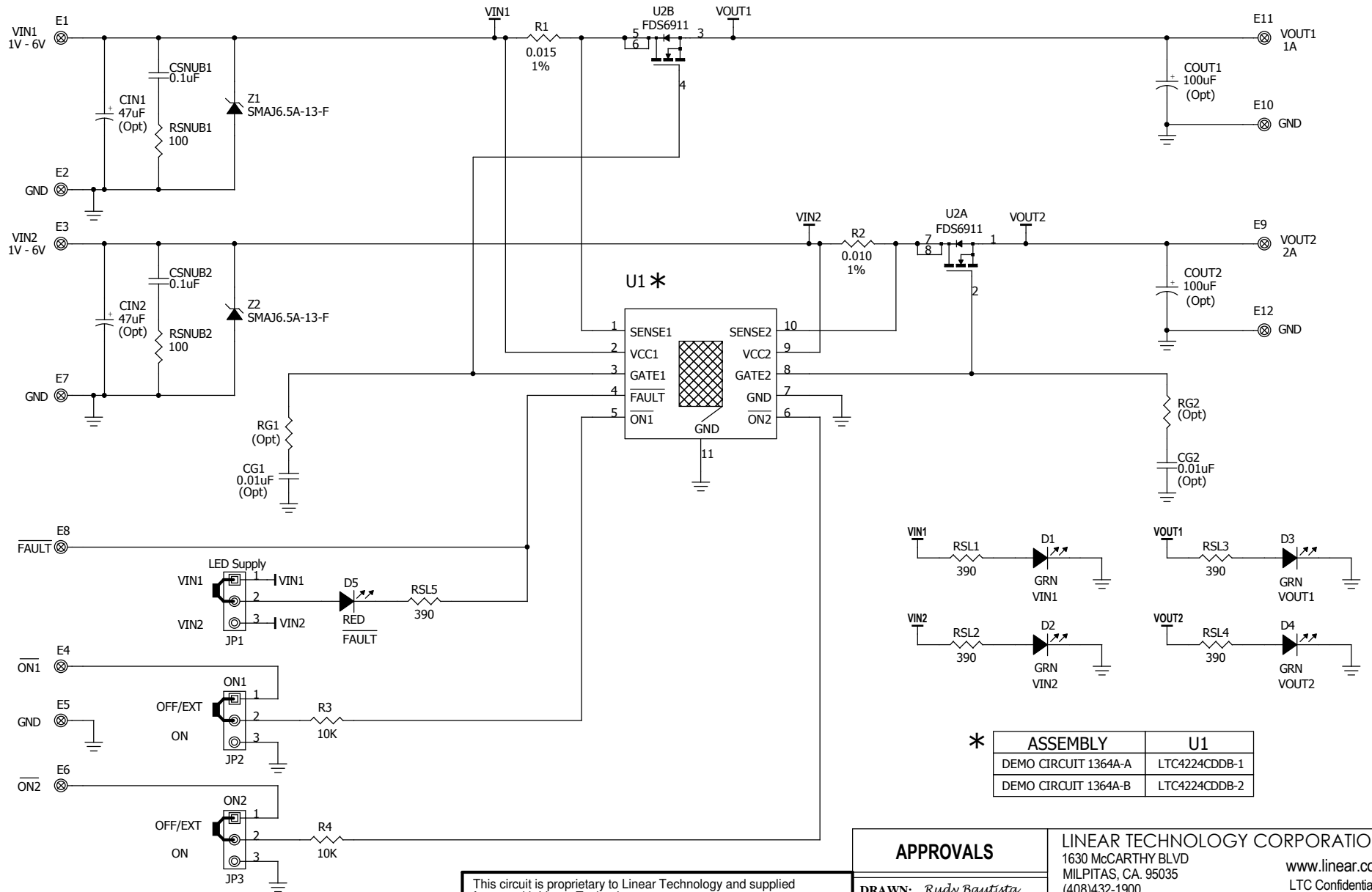


REVISION HISTORY				
ECO	REV	DESCRIPTION	DATE	APPROVED
	0	1st PROTOTYPE		



*	ASSEMBLY	U1
	DEMO CIRCUIT 1364A-A	LTC4224CDDB-1
	DEMO CIRCUIT 1364A-B	LTC4224CDDB-2

This circuit is proprietary to Linear Technology and supplied for use with Linear Technology parts.

Customer Notice: Linear Technology has made a best effort to design a circuit that meets customer-supplied specifications; however, it remains the customers responsibility to verify proper and reliable operation in the actual application. Component substitution and printed circuit board layout may significantly affect circuit performance or reliability. Contact Linear Applications Engineering for assistance.

APPROVALS		LINEAR TECHNOLOGY CORPORATION	
DRAWN: Rudy Bautista		1630 McCARTHY BLVD MILPITAS, CA. 95035 (408)432-1900 (408)434-0507 (FAX)	
ENGINEER: Vlad Ostrerov		www.linear.com LTC Confidential - For Customer Use Only	
APPROVED:		Title LTC4224CDDB-1/-2 Dual Low Voltage Hot Swap Controller	
CHECKED:		Document Number SD DEMO CIRCUIT 1364A	
Date: Monday, July 07, 2008	C:\ORCADWIN\CAPTURE\1364A\1364A_REV0.DSN	Rev 0	
		Sheet 1 of 1	