

6

5

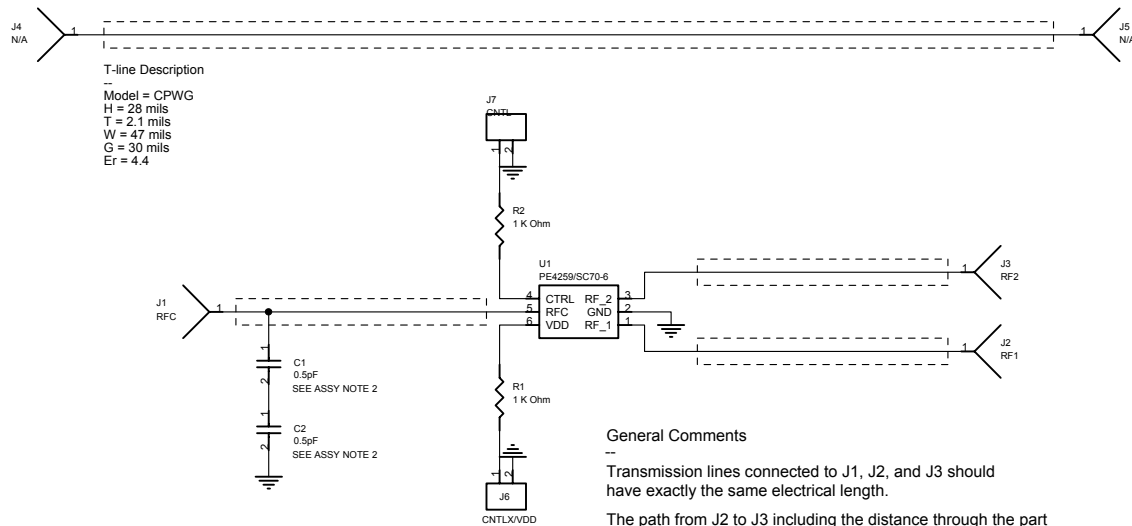
4

3

2

1

REVISION RECORD			
LTR	ECO NO:	APPROVED:	DATE:



NOTES:

1. USE PCB PART NUMBER: 101-0162-02.
2. ADD TWO 0.5PF CAPS IN SERIES TO BE SHUNTED ON THE J1 SMA INPUT.
 SOLDER C1 SIDE 1 TO THE RF TRACE CLOSE TO THE J1 PIN.
 SOLDER C1 SIDE 2 TO C2 SIDE 1.
 SOLDER C2 SIDE 2 TO GROUND.

COMPANY: PEREGRINE SEMICONDUCTOR

TITLE:

SCHEMATIC, PE4259 SC70 SPDT SWITCH EK

DRAWN:
JEFF LUNDYDATED:
8-29-08CHECKED:
LUKE MANGDATED:
8-29-08

QUALITY CONTROL:

DATED:

RELEASED:

DATED:

CODE:

SIZE:

DRAWING NO:

REV:

B

102-0218

02

SCALE:

SHEET: 1 OF 1

Item	Qty	Reference	Value	Description	Manufacturer	Manufacturer Part Number	Distributor	Distributor Part Number	Data Sheet	Notes
1	2	C1-2	CAP_0603_0.5PF_0.5pF	Capacitor, Ceramic, 0.5pF, 50V, COG, 0603	Murata Electronics		Digi-Key	490-1370-2-ND	http://search.digikey.com/scripts/DkSearch/dksus.dll?Detail?name=490-1370-2-ND	
2	1	J7	HEADER_2_0_CNTL							
3	1	J6	HEADER_2_0_CNTLX/VDD							
4	1	U1	PE4239-SC70-6_0_PE4259/SC70-6							
5	2	R1-2	RES_0402_1K_1K_Ohm	RES 1.00K OHM 1/16W 1% 0402 SMD	YAGEO		DIGIKEY	311-1.00KLTR-ND	http://search.digikey.com/scripts/DkSearch/dksus.dll?Detail?name=311-1.00KLTR-ND	
6	2	J4-5	SPCL/SMACON3P,N/A							
7	1	J2	SPCL/SMACON3P,RF1							
8	1	J3	SPCL/SMACON3P,RF2							
9	1	J1	SPCL/SMACON3P,RFC							
10	1	101-0162-02	PCB, PE4259SC70 SPDT SWITCH EK							