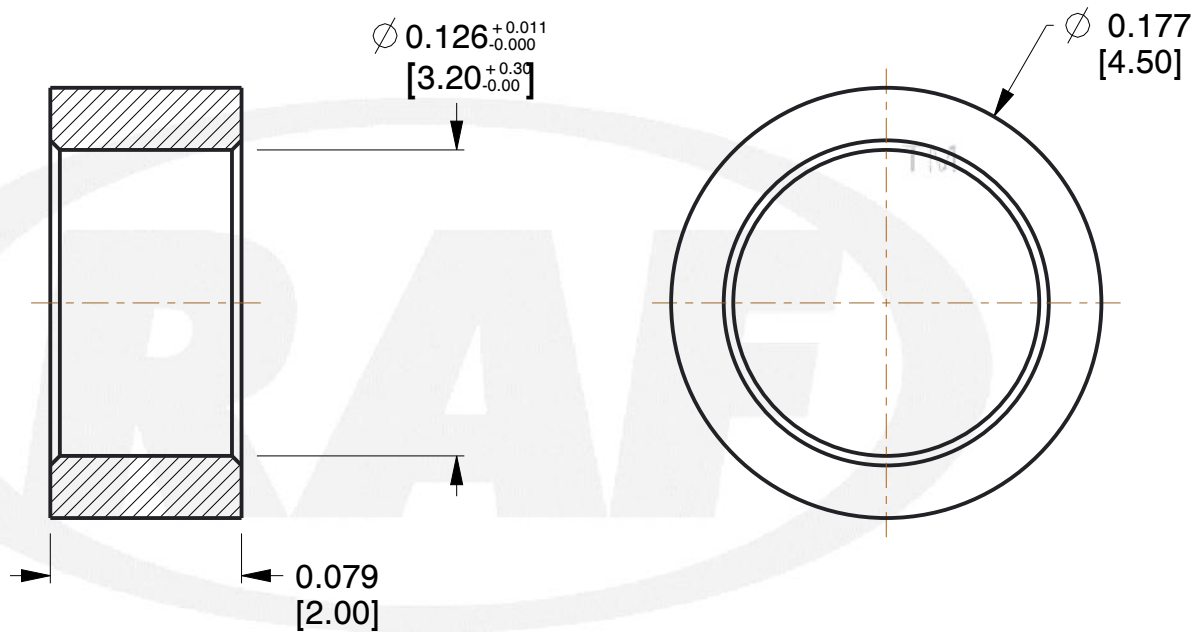
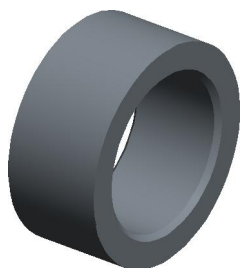


REV	CHANGE	DATE	DRN	CHK
	Drawn	02/06/17	SJ	T



**NOTES:**

1. Material : Stainless Steel
2. Finish :
3. ASME Y14.5M - 2009
4. All Drawing Dimensions are in Inches [mm]
5. Unless otherwise specified; Edge Breaks, Radii or Countersinks 0.005-0.015



95 Silvermine Rd., Seymour CT 06483  
 Tel: 203-888-2133, Fax: 203-888-9860

This Drawing is the Property of RAF.  
 It contains confidential, proprietary information that is RAF property. Do not disclose to or duplicate for others except as authorized by RAF.

**TOLERANCES**  
 ALL DIMENSIONS ARE INCHES (UNLESS OTHERWISE SPECIFIED)  
**METALLIC**  
 LENGTHS <math>\leq 6</math> INCHES  $\pm 0.005$   
 LENGTH > 6 INCHES  $\pm 0.010$   
 DIAMETERS:  $\pm 0.005$   
**NON-METALLIC**  
 LENGTH:  $\pm 0.010$  DIAMETERS:  $\pm 0.010$   
**INTERNAL THREADS:**  
 MINIMUM THREAD DEPTH

COMPONENT	SPACERS	SCALE
M0501-3-SS		12.65
4.5MM ROUND SPACERS		<b>SHEET</b>
		1 of 1