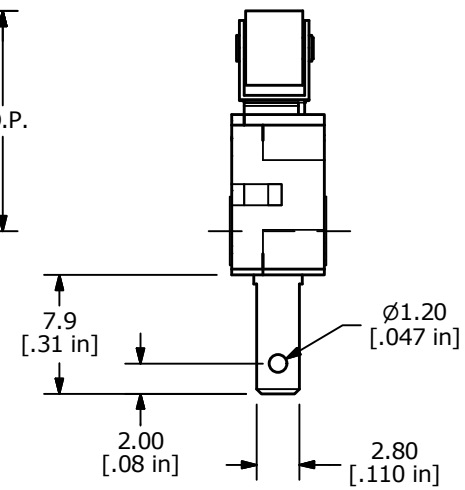
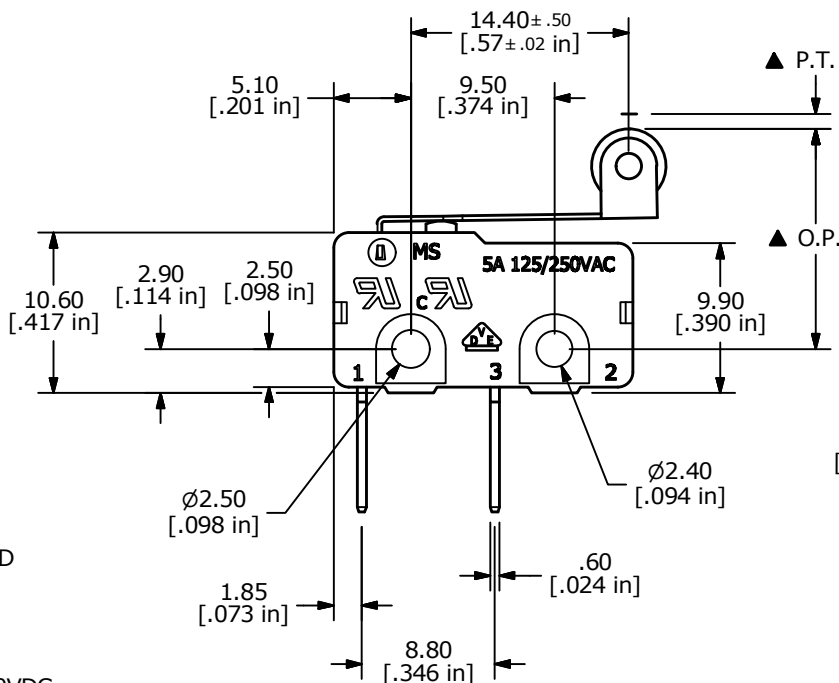
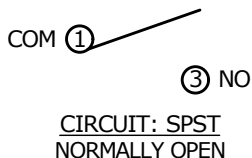


O.P. (MM)	P.T. (MM)
14.9±1.0	4.0 MAX

O.P. = OPERATING POINT  
P.T. = PRE-TRAVEL



- NOTES:
1. ALL DIMENSIONS IN MM [INCH]
  2. GENERAL TOLERANCE: X.X = ± 0.4  
X.XX = ± 0.25
  3. RATING: 5A @125/250VAC UL, CUL, VDE APPROVED
  - ▲ 4. OPERATING FORCE: 20 ± 10 GRAMS
  5. OPERATING TEMP: -25°C to 85°C
  6. ELECTRICAL LIFE: 50,000 CYCLES MIN.
  7. MECHANICAL LIFE: 1,000,000 CYCLES TYP.
  8. INSULATION RESISTANCE: 100 MEGA-OHMS @ 500VDC
  9. DIELECTRIC STRENGTH: 1000VAC 1 MINUTE (INITIAL VALUE)
  10. CONTACT RESISTANCE: 100 MILLI-OHMS MAX.
  11. 2011/65/EU (ROHS) COMPLIANT
  12. ▲ DENOTES CRITICAL PARAMETER.

C	23778	update O.P. from 14.6 to 14.9	2/18/19	MW
B	21022	ADD NOTED DIMS, CORRECT CIRCUIT	2/12/13	EBP
A	20560	RELEASED FOR PRODUCTION	5/8/12	RC
REV	PCR NO	DESCRIPTION	DATE	BY



TITLE MS0850505F20C1C				
SCALE	DATE	DR	DWG	REV
2:1	5/8/2012	rc	Q970122	C

THE INFORMATION CONTAINED IN THIS DOCUMENT IS PROPRIETARY TO E-SWITCH AND IS NOT TO BE COPIED OR TRANSFERRED