

THIS DRAWING IS UNPUBLISHED.

RELEASED FOR PUBLICATION

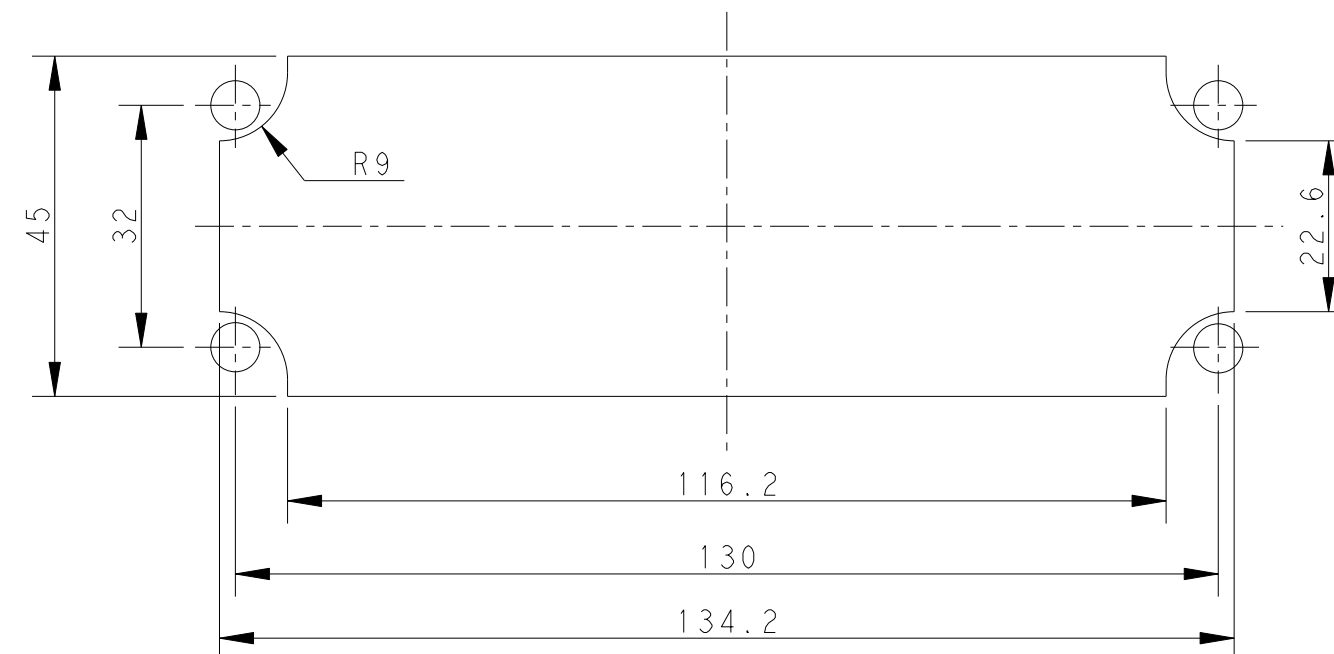
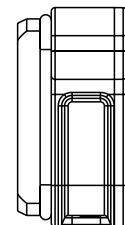
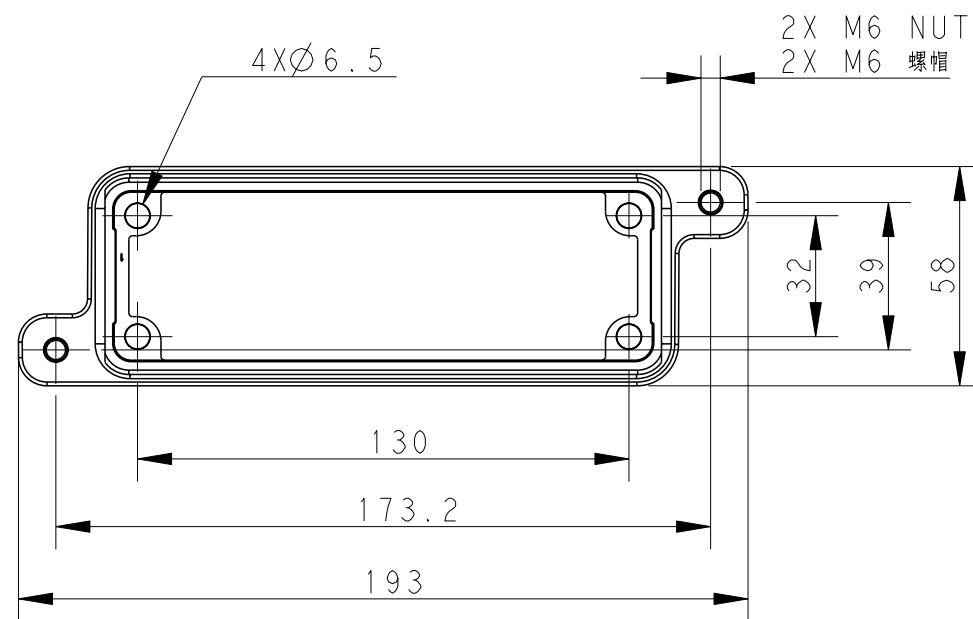
20

© COPYRIGHT 20 BY -

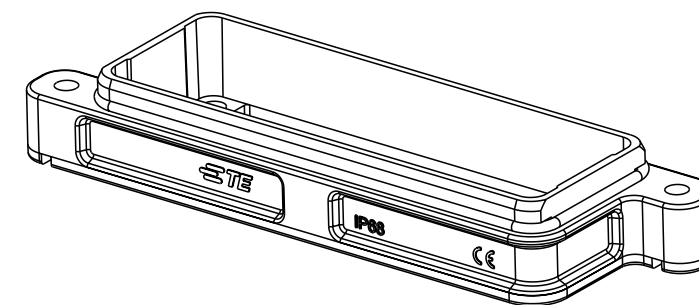
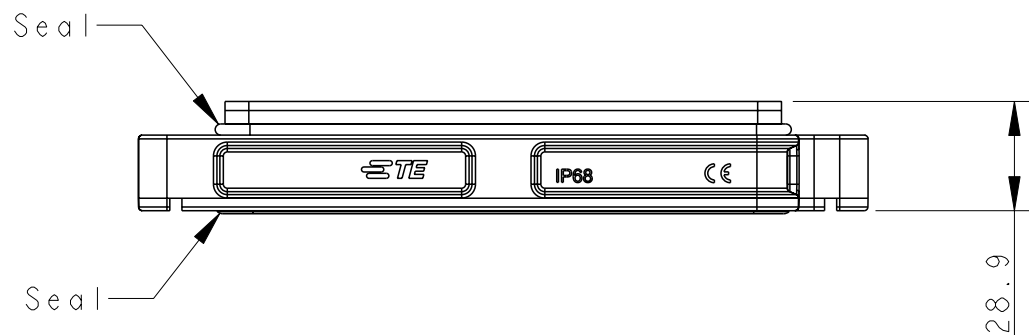
ALL RIGHTS RESERVED.

REVISIONS

P	LTR	DESCRIPTION	DATE	DWN	APVD
	A	INITIAL	21APR2018	GY	CW
	B	ECR-20-016312	03JUN2021	BS	CW



Panel Cut Out
面板开口尺寸




NOTES:

- TECHNICAL CHARACTERISTICS:
HOOD MATERIAL: ALUMINIUM ALLOY
SURFACE: POWDER COATED, BLACK
DEGREE OF PROTECTION: IP68 (MATED)

注释:

- 技术参数:
上壳材料: 铝合金
表面处理: 黑色粉末喷涂
防护等级: IP68 (配合)

T1930240000-409	H24BPR-AG-EMC-C	H24BPR HOUSING, DIAGONAL LOCKING, BULKHEAD MOUNTED, POWDER COATED, BLACK H24BPR下壳, 对角锁定, 开孔安装, 黑色粉末喷涂			
PART NUMBER 零件料号		DESCRIPTION 描述			
THIS DRAWING IS A CONTROLLED DOCUMENT.		DWN GINO.YAO 30JAN2018	 TE Connectivity NAME H24BPR-AG-EMC-C		
DIMENSIONS: mm		CHK CHRIS.WANG 30JAN2018			
TOLERANCES UNLESS OTHERWISE SPECIFIED:		APVD CHRIS.WANG 30JAN2018			
0 PLC ±- 1 PLC ±- 2 PLC ±- 3 PLC ±- 4 PLC ±- ANGLES ±-		PRODUCT SPEC 108-137191			
MATERIAL -		FINISH -	APPLICATION SPEC 114-137191-1	WEIGHT -	RESTRICTED TO -
CUSTOMER DRAWING			SCALE 1:2	SHEET 1 OF 1	REV B

printed on 7 Jun 2021 15:58 (China Standard Time) from TE236667