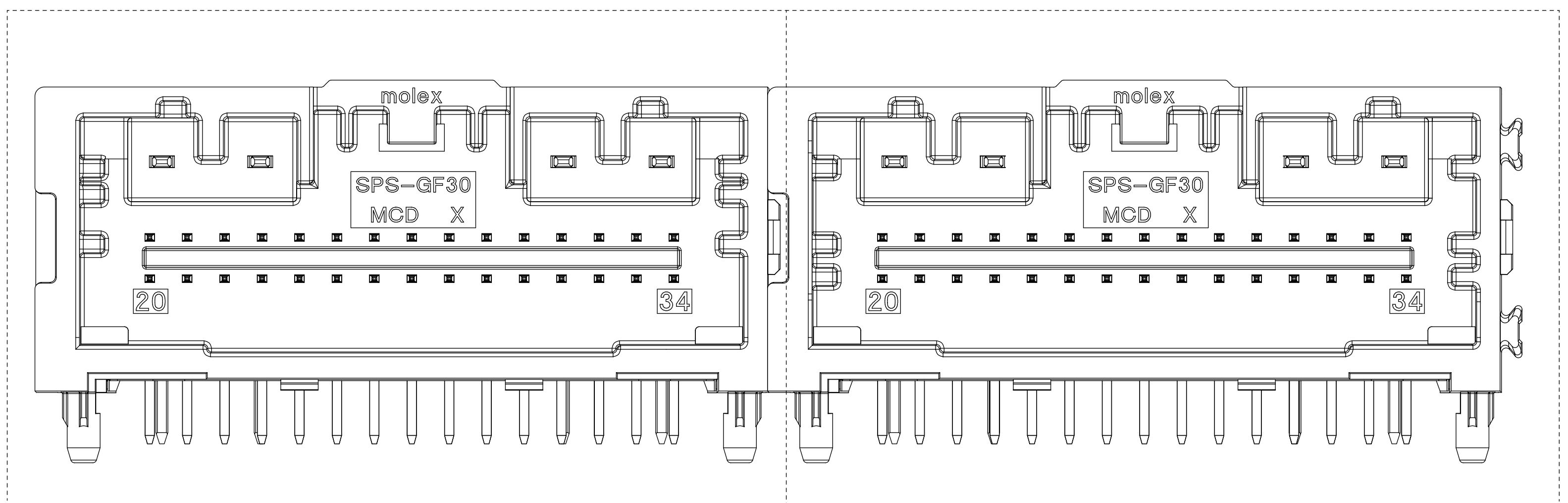
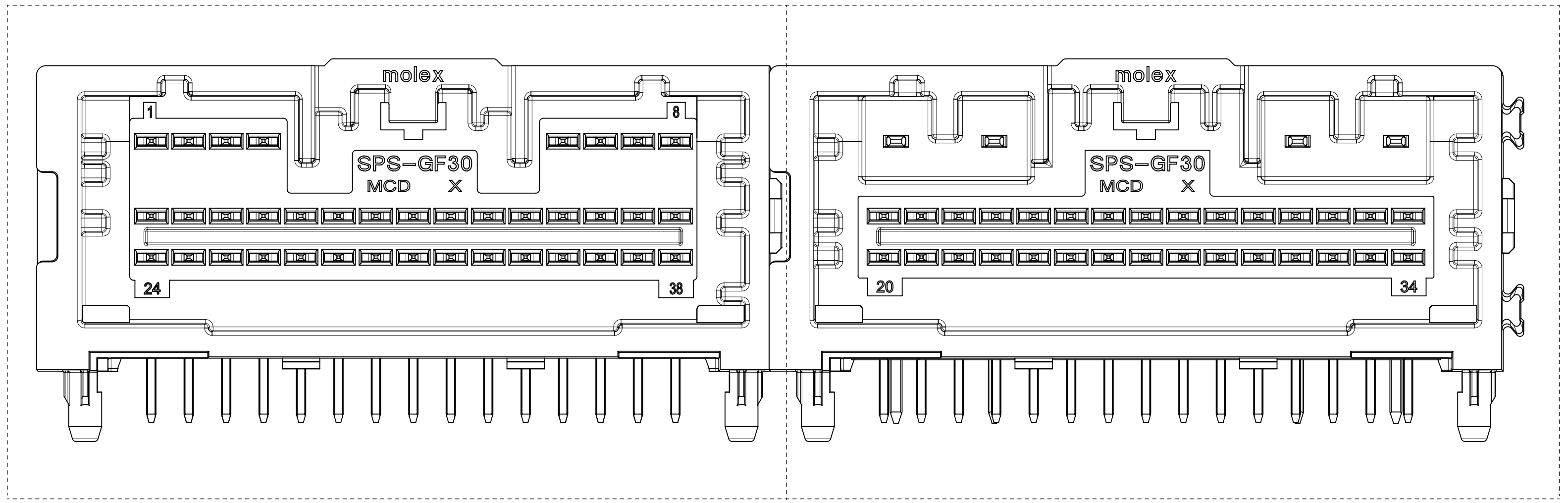


TABLE OF CONTENTS	
SHEET NO.	SHEET DESCRIPTION
1	NOTES,INSPECTION BALLOON NUMBER LOG, REV.COLUMN, 2-BAY MINI50 RIGHT ANGLE HEADER ASSEMBLY
2	CHART FOR MULTIBAY CONFIGURATION FOR UL94 HB DEPOLULATED HEADER PIN CONFIGURATION
3	CHART FOR MULTIBAY CONFIGURATION FOR UL94 V0 HB/V0 HEADER DIFFERENCE VIEW
4	DETAIL DIMENSION VIEW REFERENCE PCB LAYOUT

**2-BAY MINI50 RIGHT ANGLE HEADER ASSEMBLY**  
**PIN INSERTION DIRCTION FROM PCB SIDE TO MATING SIDE**  
(P/N 34960-0200 SHOWN,STATUS: WILL BE OBSOLETE IN 2023)



**2-BAY MINI50 RIGHT ANGLE HEADER ASSEMBLY**  
**PIN INSERTION DIRCTION FROM MATING SIDE TO PCB SIDE**  
(P/N 34960-0232 SHOWN, STATUS: SALEABLE)



- NOTES: VALID UNLESS OTHERWISE SPECIFIED
1. GENERAL:
- B6 a. PRODUCT SPECIFICATION:
    - HB:PS-34959-001
    - V0:2133550000-PS
  - b. APPLICATION SPECIFICATION: AS-34959-001
  - c. PACKAGING SPECIFICATION PER MOLEX DRAWING PK-31302-070 (TRAY)
  - d. PACKAGING SPECIFICATION PER MOLEX DRAWING PK-31301-688 (TUBE)
  - e. COSMETIC SPECIFICATION: PS-45499-002 Class B
  - f. GEOMETRIC TOLERANCING: SEE DIN 16901 TABLE
  - g. MATES WITH: SD-34959-030

2. DESIGN: MATERIALS:
- B6 a. SHROUD (PLASTIC HOUSING):
    - HB RESIN - SPS
    - V0 RESIN - SPS
  - B6 b. PIN ALIGNMENT PLATE:
    - i. HB RESIN - SPS
    - ii. V0 RESIN - SPS
    - ii. COLOR - BLACK
  - c. 0.50mm BLADES:
    - i. BASE MATERIAL: BRASS
    - ii. PLATING TYPE: AS NOTED
  - d. 1.20mm BLADES:
    - i. BASE MATERIAL: BRASS
    - ii. PLATING TYPE: AS NOTED
3. PLATING REQUIREMENTS:
- a. UNDERPLATING - OVERALL NICKEL
  - b. OVERPLATING - OVERALL REFLOW TIN

4. FOR DESCRIPTION OF INDIVIDUAL BAYS, REFER TO THE FOLLOWING SINGLE BAY DRAWINGS:
- a. PART NUMBER: 34961-03XX, REFER TO SD-34961-030
  - B6 b. PART NUMBER: 34961-13XX, REFER TO SD-34961-130
  - c. PART NUMBER: 213355XXXX, REFER TO SD-34961-030

REV	REV DESCRIPTION	ECN SAP NO.
B6	1.SHEET 1:UPDATED NOTES 2.SHEET 2:ADDED FLAMMABILITY UL94 DESCRIPTION IN FORM 3.SHEET 3:ADDED NEW PART NUMBER :3001960200 4.SHEET 3:ADDED SHEET 3 TO SHOW HB / V0 VERSION DIFFERENCE 5.SHEET 4:UPDATED DIM 1: 2.75±0.50 WAS 2.74±0.50	CO-000001013
B5	CREATED NEW REVISION TO UPLOAD DRAWING IN MDS SYSTEM	CO-000000910
B4	SHEET 1: ADDED VIEW OF 2BAY DIFFERENET PIN INSERTION DIRCTION'S HEADER SHEET 2: ADDED NEW PART NUMBER	CO-000000910
B3	1. SHEET 1: UPDATED NOTES INFORMATION 2. SHEET 2: ADDED NEW PART NUMBER 34960-7281, 34960-0281, 34960-7291 3. SHEET 2: ADDED NEW PART NUMBER PIN CONFIGURATION INFORMATION 4. SHEET 3: ADDED DIM 3a, DIM 6a 5. SHEET 3: REMOVED DIM 2 , DIM 4, DIM5, DIM 7	663659
B2	1. OBSOLETE PART NUMBER: 34960-0210; 34960-0220; 34960-0240; 34960-0250 2. ADDED NEW DIMENSION ITEM 2a & 2b IN SHEET 3 3. ADDED SHEET 2 TO SHOW DEPOLULATED HEADER PIN CONFIGURATION AND DIMENSIONAL CHART FOR MULTIBAY CONFIGURATION 4. REMOVED BALLOON NUMBER:8,9,10,11 IN SHEET 3 5. ADDED HOLE DIMENSION F IN PCB LAYOUT IN SHEET 3	640173
B1	ADDED NEW PART NUMBER: 34960-0271 IN THE CHART ON SHEET 1	623488
B	1. OBSOLETE PART NO 349600230 2. ADDED NEW NUMBER: 34960-0261 IN THE CHART ON SHEET 1	618118
A10	ADDED NEW P/N: 34961-7261 IN THE BOM ON SHEET 1.	611155
A9	ADDED NEW P/N: 34960-0211 \ 34960-0221 \ 34960-0231 34960-0241\34960-0251 IN THE BOM ON SHEET 1. ADDED PRODUCT STATUS IN THE BOM ON SHEET 1.	606688

DIN 16901	CODE LETTER	NOMINAL DIMENSION RANGE													
		OVER UP TO	0	1	3	6	10	15	22	30	40	53	70	90	120
PRECISION ENGINEERING	A		±0.10	±0.12	±0.14	±0.16	±0.20	±0.22	±0.24	±0.26	±0.28	±0.31	±0.35	±0.40	±0.50
	B		±0.05	±0.06	±0.07	±0.08	±0.10	±0.12	±0.14	±0.16	±0.18	±0.21	±0.25	±0.30	±0.40

A: FOR NON-MOLD RELATED DIMENSIONS (ACROSS PARTING LINE)  
B: FOR MOLD RELATED DIMENSIONS (WITHIN MOLD COMPONENTS)

INSPECTION BALLOON NUMBER LOG	
PER DRAWING REVISION:	B6
LAST BALLOON NUMBER USED:	6a
ADDED BALLOON NUMBERS:	
REMOVED BALLOON NUMBERS:	

FUNCTIONAL SYMBOLS	THIS DRAWING CONTAINS INFORMATION THAT IS PROPRIETARY TO MOLEX ELECTRONIC TECHNOLOGIES, LLC AND SHOULD NOT BE USED WITHOUT WRITTEN PERMISSION		CURRENT REV DESC: REFER TO REVISION COLUMN	
FA = 0	DIMENSION UNITS: mm	SCALE: 5:1		
FC = 0	GENERAL TOLERANCES (UNLESS SPECIFIED)		PHASE: Design Production	
FD = 0	ANGULAR TOL ± 0.5°		CO NO: CO-000001013	
DIVISIONAL SYMBOLS	4 PLACES ±		DRWN: Shanks Wu	2022-05-23
	3 PLACES ±		CHK'D: Shanks Wu	2022-06-23
	2 PLACES ±		APPR: Colin Zhang	2022-07-08
	1 PLACE ±		INITIAL REVISION:	
	0 PLACES ±		DRWN: Shanks Wu	2022-04-25
			APPR: Colin Zhang	2022-05-05
DRAFT WHERE APPLICABLE MUST REMAIN WITHIN DIMENSIONS		THIRD ANGLE PROJECTION	DRAWING: D-SIZE	SERIES: 34960
			MATERIAL NUMBER	CUSTOMER: GENERAL MARKET
			DOCUMENT NUMBER: SD-34960-0200	DOC TYPE: PSD
			DOC PART: 001	REVISION: B6
			SHEET NUMBER: 1 OF 4	

TABLE OF CONTENTS	
SHEET NO.	SHEET DESCRIPTION
2	CHART FOR MULTIBAY CONFIGURATION FOR UL94 HB DEPOLLULATED HEADER PIN CONFIGURATION

Ⓑ6 CHART FOR MULTIBAY CONFIGURATION(HB VERSION):

2 BAY PART NUMBER (TUBE PKG)	2 BAY PART NUMBER (TRAY PKG)	BAY A							BAY B						STATUS
		P/N	INTERFACE TYPE	POL	COLOR	QT'Y OF PINS	FLAMMABILITY UL94	P/N	INTERFACE TYPE	POL	COLOR	QT'Y OF PINS	FLAMMABILITY UL94		
TBD	34960-0200	34961-0340	34CKT	A	BLACK	34	HB	34961-0341	34CKT	B	GREY	34	HB	WILL BE OBSOLETE IN 2023	
TBD	34960-0210	34961-0380	38CKT	A	BLACK	38	HB	34961-0381	38CKT	B	GREY	38	HB	OBSOLETE	
TBD	34960-0220	34961-0340	34CKT	A	BLACK	34	HB	34961-0381	38CKT	B	GREY	38	HB	OBSOLETE	
TBD	34960-0230	34961-0380	38CKT	A	BLACK	38	HB	34961-0341	34CKT	B	GREY	34	HB	OBSOLETE	
TBD	34960-0240	34961-0381	38CKT	B	GREY	38	HB	34961-0380	38CKT	A	BLACK	38	HB	OBSOLETE	
TBD	34960-0250	34961-0381	38CKT	B	GREY	38	HB	34961-0382	38CKT	C	DK GREY	38	HB	OBSOLETE	
TBD	34960-0211	34961-0383	38CKT	UPDATED A	BLACK	38	HB	34961-0384	38CKT	UPDATED B	GREY	38	HB	WILL BE OBSOLETE IN 2023	
TBD	34960-0221	34961-0340	34CKT	A	BLACK	34	HB	34961-0384	38CKT	UPDATED B	GREY	38	HB	WILL BE OBSOLETE IN 2023	
TBD	34960-0231	34961-0383	38CKT	UPDATED A	BLACK	38	HB	34961-0341	34CKT	B	GREY	34	HB	WILL BE OBSOLETE IN 2023	
TBD	34960-0241	34961-0384	38CKT	UPDATED B	GREY	38	HB	34961-0383	38CKT	UPDATED A	BLACK	38	HB	WILL BE OBSOLETE IN 2023	
TBD	34960-0251	34961-0384	38CKT	UPDATED B	GREY	38	HB	34961-0385	38CKT	UPDATED C	DK GREY	38	HB	WILL BE OBSOLETE IN 2023	
*	34960-7261	34960-0261	34961-1394	38CKT	UPDATED A	BLACK	31	HB	34961-1395	38CKT	UPDATED B	GREY	14	HB	WILL BE OBSOLETE IN 2023
TBD	34960-0271	34961-0341	34CKT	B	GREY	34	HB	34961-0340	34CKT	A	BLACK	34	HB	WILL BE OBSOLETE IN 2023	
*	34960-7281	34960-0281	34961-1344	34CKT	A	BLACK	32	HB	34961-1345	34CKT	B	GREY	32	HB	WILL BE OBSOLETE IN 2023
*	34960-7291	TBD	34961-1386	38CKT	C	DK GREY	34	HB	34961-1344	34CKT	A	BLACK	32	HB	WILL BE OBSOLETE IN 2023
TBD	34960-0202	34961-0343	34CKT	A	BLACK	34	HB	34961-0344	34CKT	B	GREY	34	HB	SALEABLE	
TBD	34960-0212	34961-0386	38CKT	UPDATED A	BLACK	38	HB	34961-0387	38CKT	UPDATED B	GREY	38	HB	SALEABLE	
TBD	34960-0222	34961-0343	34CKT	A	BLACK	34	HB	34961-0387	38CKT	UPDATED B	GREY	38	HB	SALEABLE	
TBD	34960-0232	34961-0386	38CKT	UPDATED A	BLACK	38	HB	34961-0344	34CKT	B	GREY	34	HB	SALEABLE	
TBD	34960-0242	34961-0387	38CKT	UPDATED B	GREY	38	HB	34961-0386	38CKT	UPDATED A	BLACK	38	HB	SALEABLE	
TBD	34960-0252	34961-0387	38CKT	UPDATED B	GREY	38	HB	34961-0388	38CKT	UPDATED C	DK GREY	38	HB	SALEABLE	
*	34960-7262	34960-0262	34961-1387	38CKT	UPDATED A	BLACK	31	HB	34961-1388	38CKT	UPDATED B	GREY	14	HB	SALEABLE
TBD	34960-0272	34961-0344	34CKT	B	GREY	34	HB	34961-0343	34CKT	A	BLACK	34	HB	SALEABLE	
*	34960-7282	34960-0282	34961-1350	34CKT	A	BLACK	32	HB	34961-1351	34CKT	B	GREY	32	HB	SALEABLE
*	34960-7292	TBD	34961-1393	38CKT	C	DK GREY	34	HB	34961-1350	34CKT	A	BLACK	32	HB	SALEABLE

\* 34CKT DEPOLLULATED HEADER PIN CONFIGURATION

PART NUMBER	POL	COLOR	0.50mm PIN INSERTION DIRCTION	QT'Y OF PIN	PIN CONFIGURATION																	
					1 2 3 4 5 6 7 8 9 10 11 12 13 14 15 16 17 18 19																	
					5	6	7	8	9	10	11	12	13	14	15	16	17	18	19	20	21	22
34961-1344			PCB TO MATING	32	X	X	X	X										X	X			
34961-1350	A	BLACK	MATING TO PCB	32	X	X	X	X	X	X	X	X	X	X	X	X	X	X	X			
34961-1345			PCB TO MATING		X	X	X											X	X			
34961-1351	B	GERY	MATING TO PCB	32	X	X	X	X	X	X	X	X	X	X	X	X	X	X	X			

("X": WITH TERMINAL, "-": WITHOUT TERMINALS,CAVITY IS OPEN)

\* 38CKT DEPOLLULATED HEADER PIN CONFIGURATION

PART NUMBER	POL	COLOR	0.50mm PIN INSERTION DIRCTION	QT'Y OF PIN	PIN CONFIGURATION																										
					1 2 3 4 5 6 7 8 9 10 11 12 13 14 15 16 17 18 19 20 21 22 23																										
					9	10	11	12	13	14	15	16	17	18	19	20	21	22	23	24	25	26	27	28	29	30	31	32	33	34	35
34961-1380			PCB TO MATING		X	X	X																					X	X	X	X
34961-1387	UPDATED A	BLACK	MATING TO PCB	31	X	-	-	X	X	X	X	X	X	X	X	X	X	X	X	X	X	X	X	X	X	X	X	X	-	-	X
34961-1394			PCB TO MATING		X	X	X	X	X	X	X	X	X	X	X	X	X	X	X	X	X	X	X	X	X	X	X	X	X	X	X
34961-1381			PCB TO MATING		-	-	X	X																				-	X	X	-
34961-1388	UPDATED B	GREY	MATING TO PCB	14	-	-	-	-	-	-	-	X	X	-	-	-	-	-	-	-	-	-	-	-	-	-	-	-	-	-	
34961-1395			PCB TO MATING		X	X	-	-	X	X	-	-	-	-	-	-	-	-	-	X	X	-	-	-	-	-	-	X	X	X	
34961-1386			PCB TO MATING		X	X	X	X																			X	X	X	X	
34961-1393	UPDATED C	DK GREY	MATING TO PCB	34	X	-	-	X	X	X	X	X	X	X	X	X	X	X	X	X	X	X	X	X	X	X	X	X	-	-	X

("X": WITH TERMINAL, "-": WITHOUT TERMINALS,CAVITY IS OPEN)

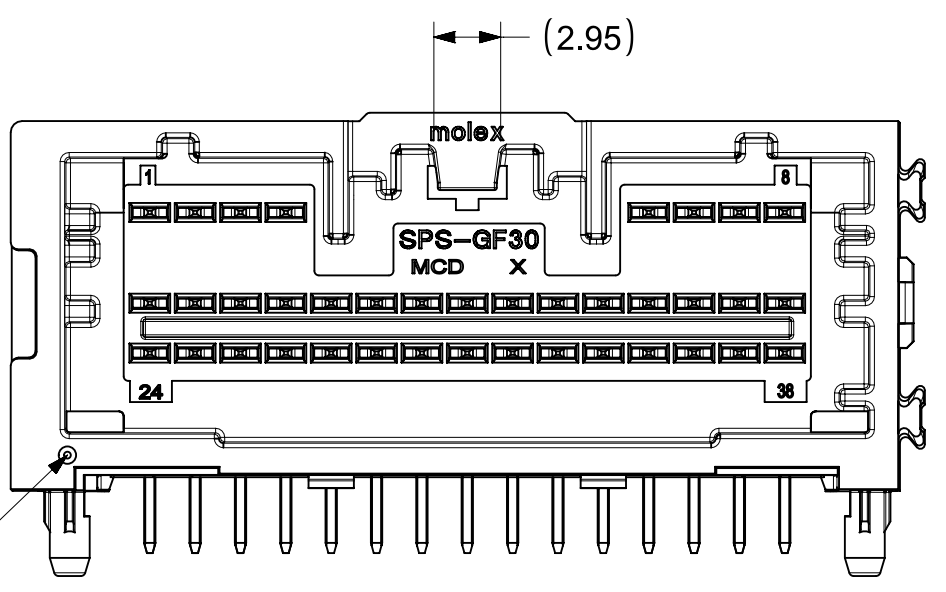
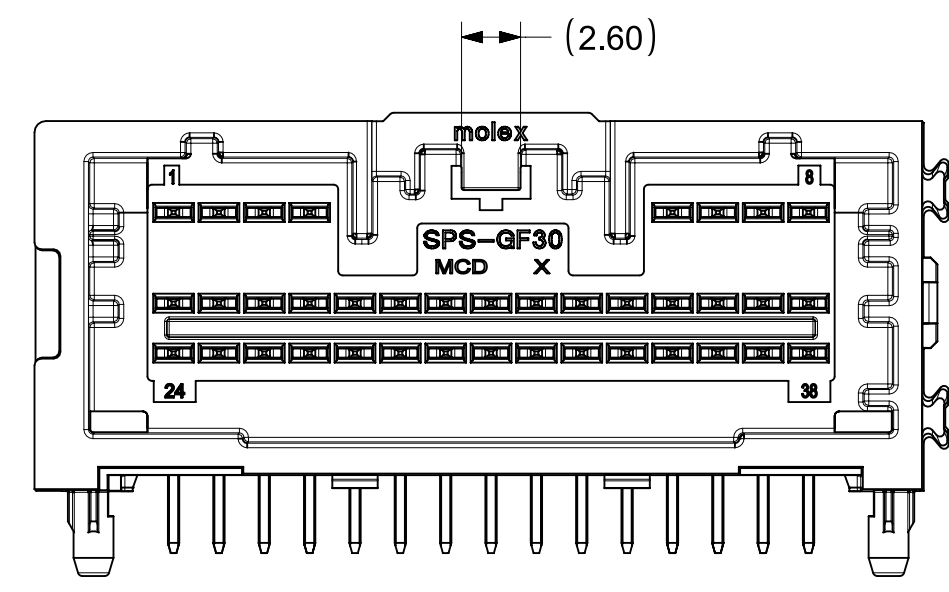
FUNCTIONAL SYMBOLS FA = 0 FC = 0 FP = 0	THIS DRAWING CONTAINS INFORMATION THAT IS PROPRIETARY TO MOLEX ELECTRONIC TECHNOLOGIES, LLC AND SHOULD NOT BE USED WITHOUT WRITTEN PERMISSION	DIMENSION UNITS <b>mm</b>	SCALE <b>1:1</b>	CURRENT REV DESC: REFER TO REVISION COLUMN							
DIVISIONAL SYMBOLS		GENERAL TOLERANCES (UNLESS SPECIFIED)		PHASE: Design Production				34 & 38 CKT MINI50 2-BAY			
		ANGULAR TOL ± 0.5°		CO NO: CO-000001013				R/A HEADER ASSEMBLY SALES DRAWING			
4 PLACES ±				DRWN: Shanks Wu 2022-05-23				PRODUCT SALES DRAWING			
3 PLACES ±				CHK'D: Shanks Wu 2022-06-23							
2 PLACES ±				APPR: Colin Zhang 2022-07-08							
1 PLACE ±				INITIAL REVISION:							
0 PLACES ±				DRWN: Shanks Wu 2022-04-25				DOCUMENT NUMBER			
				APPR: Colin Zhang 2022-05-05				SD-34960-0200			
DRAFT WHERE APPLICABLE MUST REMAIN WITHIN DIMENSIONS	THIRD ANGLE PROJECTION	DRAWING	SERIES	MATERIAL NUMBER				DOC TYPE			
		<b>D-SIZE</b>	<b>34960</b>	CUSTOMER				PSD 001 B6			
				GENERAL MARKET				REVISION			
				SHEET NUMBER				2 OF 4			

TABLE OF CONTENTS	
SHEET NO.	SHEET DESCRIPTION
3	CHART FOR MULTIBAY CONFIGURATION FOR UL94 V0 SHOW HB/V0 VERSION DIFFERENCE

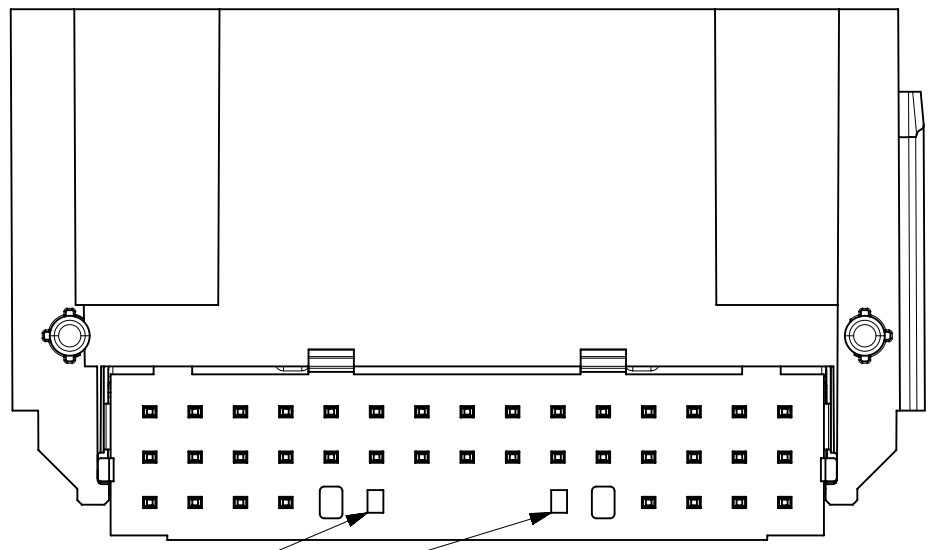
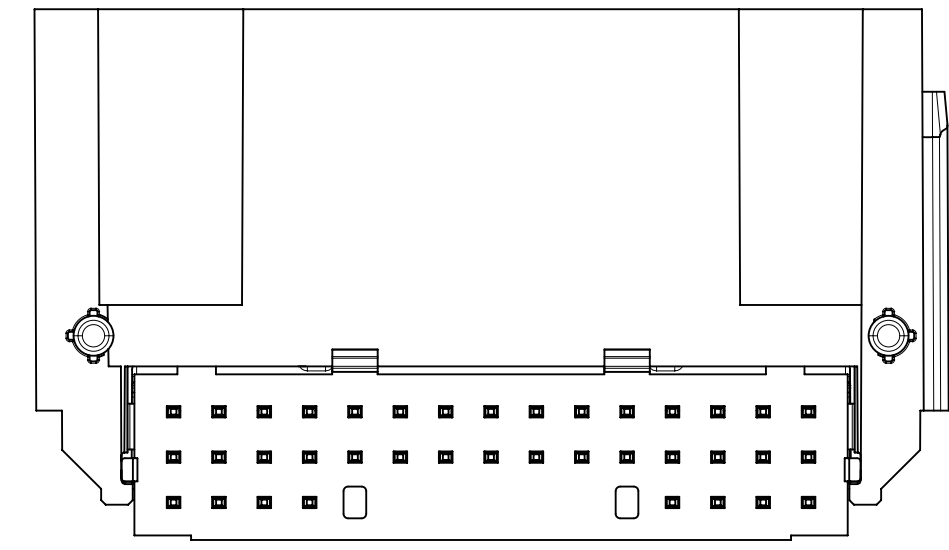
B6 CHART FOR MULTIBAY CONFIGURATION(V0 VERSION):

2 BAY PART NUMBER (TUBE PKG)	2 BAY PART NUMBER (TRAY PKG)	BAY A						BAY B						STATUS
		P/N	INTERFACE TYPE	POL	COLOR	QTY OF PINS	FLAMMABILITY UL94	P/N	INTERFACE TYPE	POL	COLOR	QTY OF PINS	FLAMMABILITY UL94	
TBD	3001960200	2133550383	38CKT	UPDATED A	BLACK	38	V0	2133550344	34CKT	B	GREY	34	V0	SALEABLE

B6 HB / V0 VERSION DIFFERENCE:



DEPRESSION FEATURE ADDED TO V0 PART TO DISTINGUISH FROM HB PART



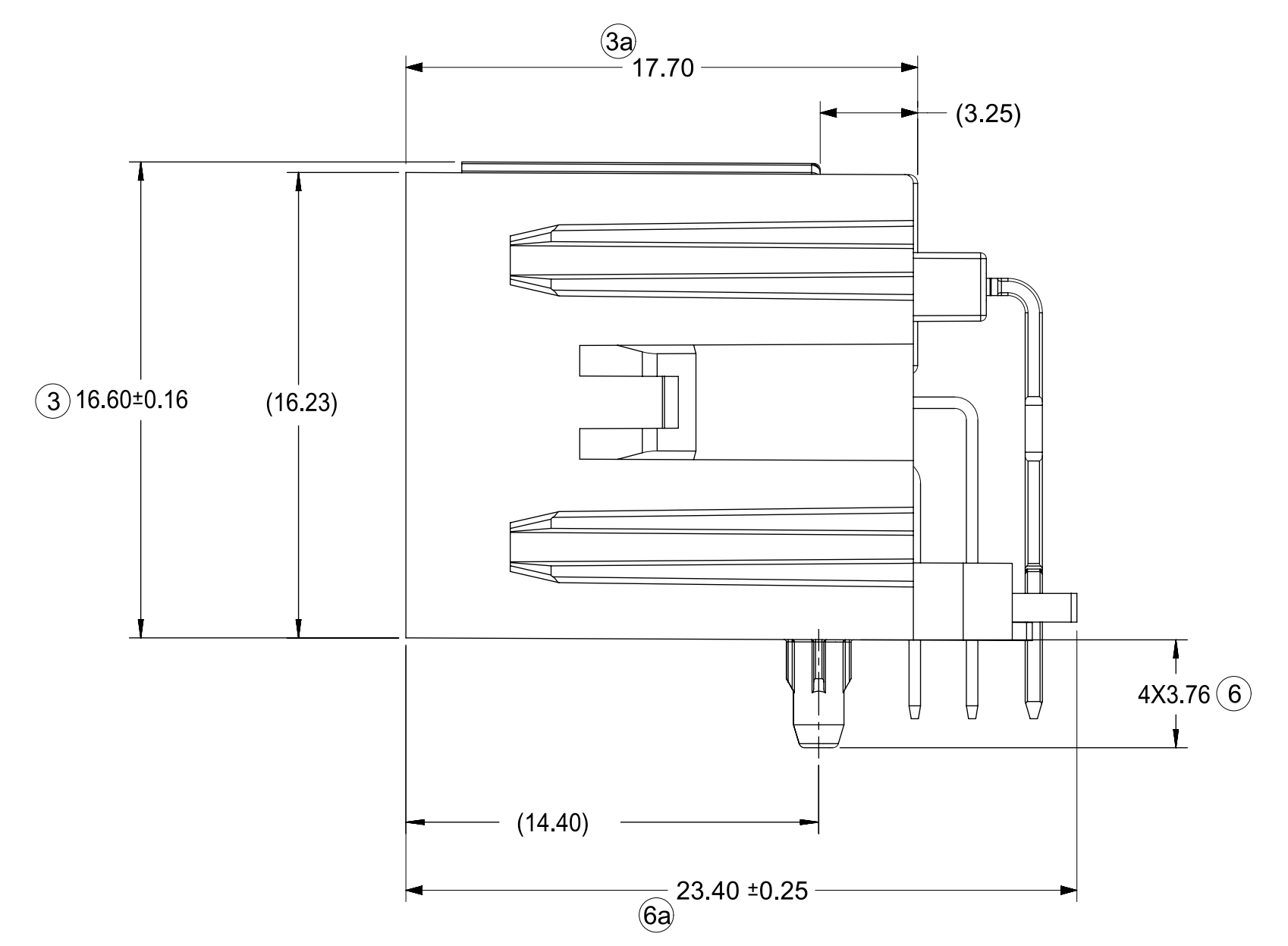
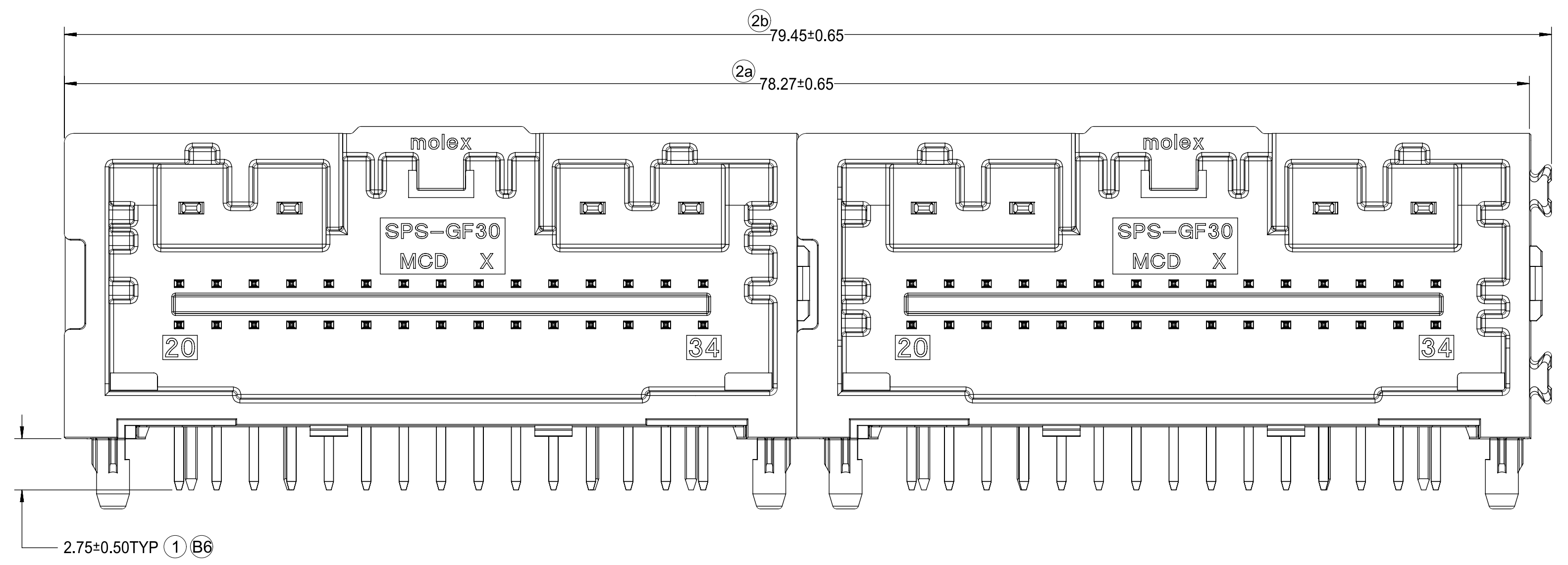
DEPRESSION FEATURE ADDED TO V0 PART TO DISTINGUISH FROM HB PART

V0 P/Ns: 213355XXXX  
APPLIES TO ALL CKT SIZES,  
USE 38CKT AS SHOWN

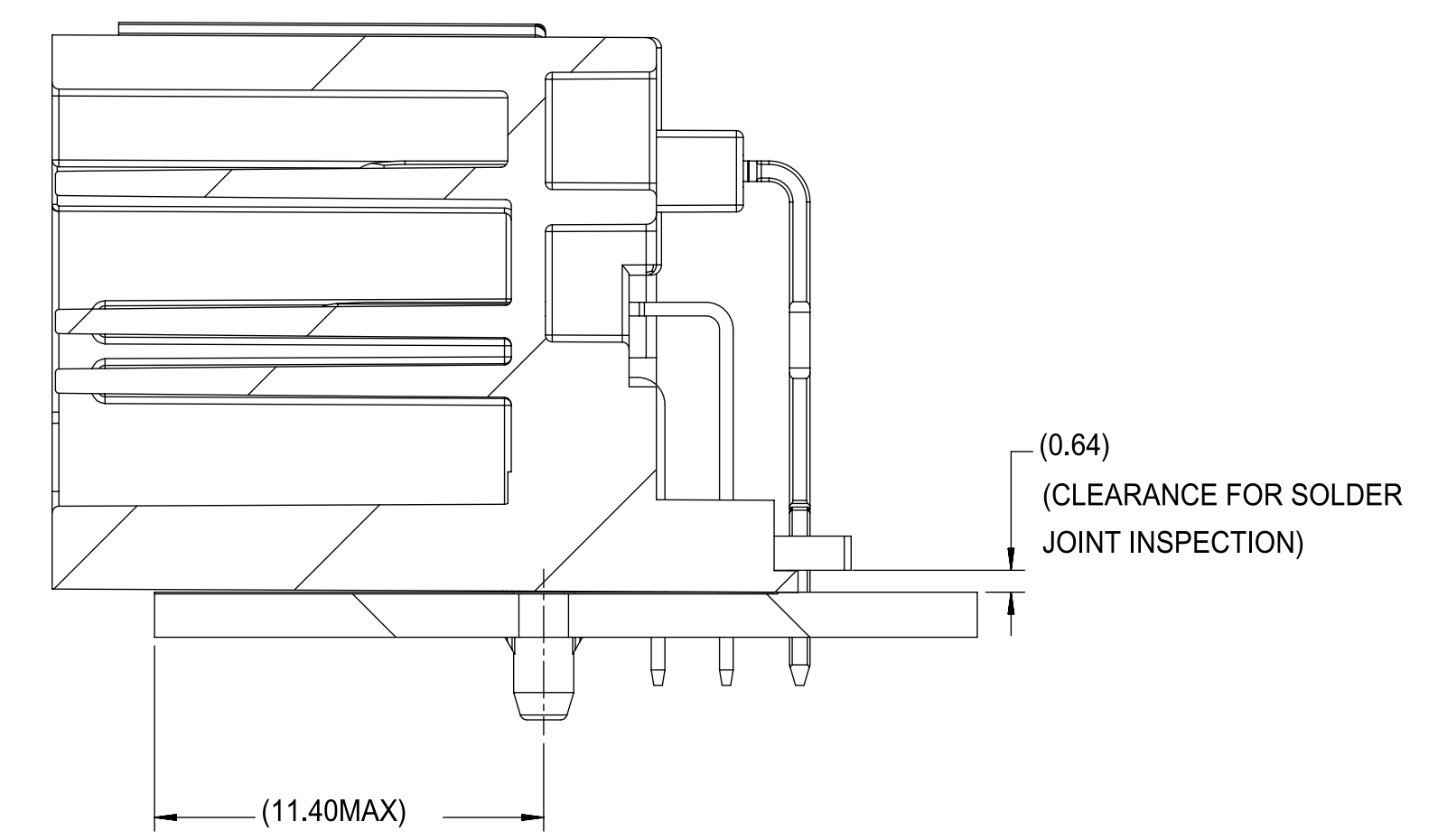
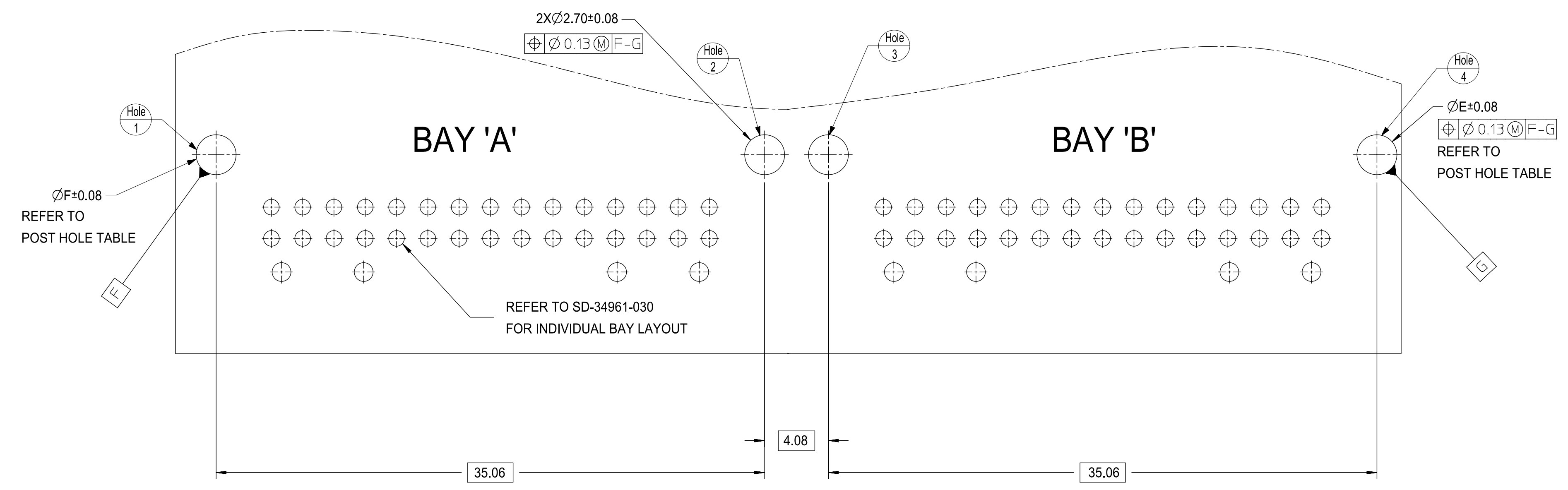
HB P/Ns: 34961XXXX  
APPLIES TO ALL CKT SIZES,  
USE 38CKT AS SHOWN

<b>FUNCTIONAL SYMBOLS</b> FA = 0 FC = 0 FP = 0 <b>DIVISIONAL SYMBOLS</b>	THIS DRAWING CONTAINS INFORMATION THAT IS PROPRIETARY TO MOLEX ELECTRONIC TECHNOLOGIES, LLC AND SHOULD NOT BE USED WITHOUT WRITTEN PERMISSION		CURRENT REV DESC: REFER TO REVISION COLUMN				
	DIMENSION UNITS	SCALE	PHASE: Design Production				
	mm	3:1	CO NO: CO-000001013				
	GENERAL TOLERANCES (UNLESS SPECIFIED)		DRWN: Shanks Wu 2022-05-23				
ANGULAR TOL ± 0.5°		CHK'D: Shanks Wu 2022-06-23		<b>PRODUCT SALES DRAWING</b>			
4 PLACES ±		APPR: Colin Zhang 2022-07-08					
3 PLACES ±		INITIAL REVISION:		DOCUMENT NUMBER	DOC TYPE	DOC PART	REVISION
2 PLACES ±		DRWN: Shanks Wu 2022-04-25		SD-34960-0200	PSD	001	B6
1 PLACE ±		APPR: Colin Zhang 2022-05-05		MATERIAL NUMBER		CUSTOMER	
0 PLACES ±		DRAFT WHERE APPLICABLE MUST REMAIN WITHIN DIMENSIONS		SERIES		SHEET NUMBER	
THIRD ANGLE PROJECTION		DRAWING		34960		GENERAL MARKET	
D-SIZE		3 OF 4					

TABLE OF CONTENTS	
SHEET NO.	SHEET DESCRIPTION
4	DETAIL DIMENSION VIEW REFERENCE PCB LAYOUT



RECOMMENDED PCB LAYOUT



FLUSH MOUNTING  
HEADER-TO-PCB

Partial1  
SCALE 5:1

POST HOLE TABLE:

FOR DIM	E	F
PRESS FIT:	2.30	2.30
DROP IN:	2.85	2.65

FUNCTIONAL SYMBOLS FA = 0 FC = 0 FP = 0	THIS DRAWING CONTAINS INFORMATION THAT IS PROPRIETARY TO MOLEX ELECTRONIC TECHNOLOGIES, LLC AND SHOULD NOT BE USED WITHOUT WRITTEN PERMISSION		CURRENT REV DESC: REFER TO REVISION COLUMN		
	DIMENSION UNITS <b>mm</b>	SCALE <b>1:1</b>	PHASE: Design Production CO NO: CO-000001013		
DIVISIONAL SYMBOLS	GENERAL TOLERANCES (UNLESS SPECIFIED)		DRWN: Shanks Wu 2022-05-23		
	ANGULAR TOL ± 0.5°		CHK'D: Shanks Wu 2022-06-23		
	4 PLACES ±		APPR: Colin Zhang 2022-07-08		
	3 PLACES ±		INITIAL REVISION:		
	2 PLACES ±		DRWN: Shanks Wu 2022-04-25		
1 PLACE ±		APPR: Colin Zhang 2022-05-05			
0 PLACES ±		DRAFT WHERE APPLICABLE MUST REMAIN WITHIN DIMENSIONS		THIRD ANGLE PROJECTION	
		DRAWING <b>D-SIZE</b>	SERIES <b>34960</b>	MATERIAL NUMBER	
		CUSTOMER <b>GENERAL MARKET</b>		SHEET NUMBER <b>4 OF 4</b>	
		<b>SD-34960-0200</b>		DOCUMENT NUMBER <b>PSD 001 B6</b>	
		PRODUCT SALES DRAWING		REVISION	

**molex**

34 & 38 CKT MINI50 2-BAY  
R/A HEADER ASSEMBLY SALES DRAWING

PRODUCT SALES DRAWING

DOCUMENT NUMBER: **SD-34960-0200**  
DOC TYPE: **PSD**  
DOC PART: **001**  
REVISION: **B6**