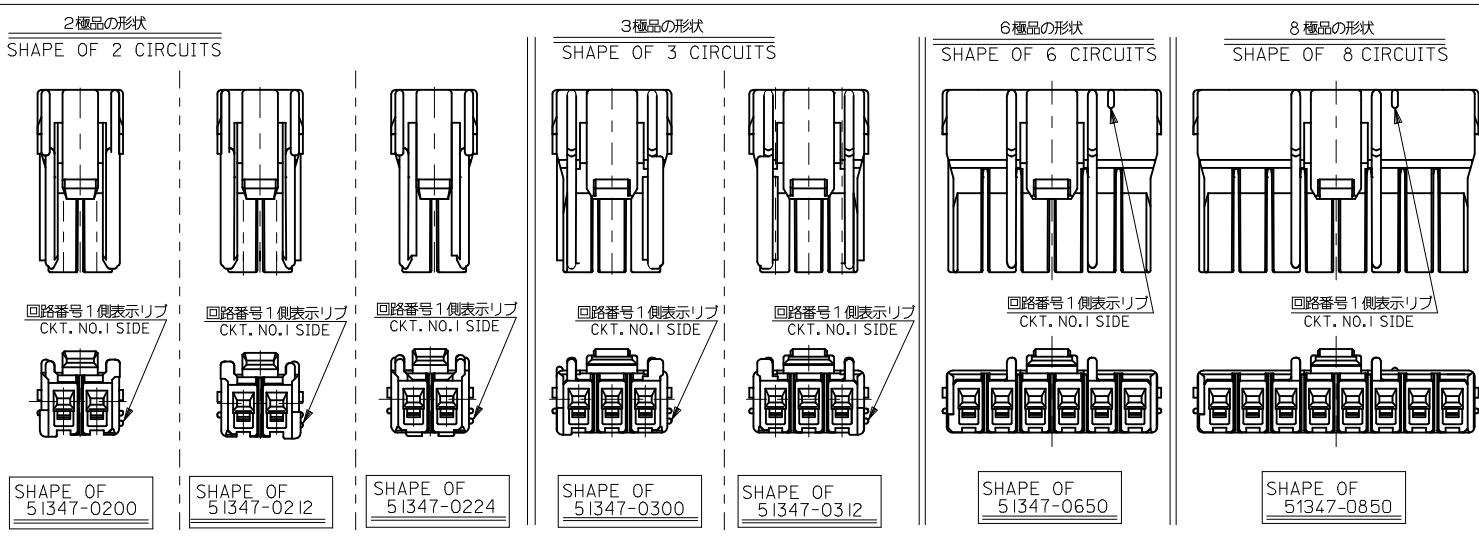


各種形状を下記に参考として示す。  
尚、2種及び3種については嵌合間口にて誤嵌合/バリエーションを持たせている為組み合わせには注意して下さい。



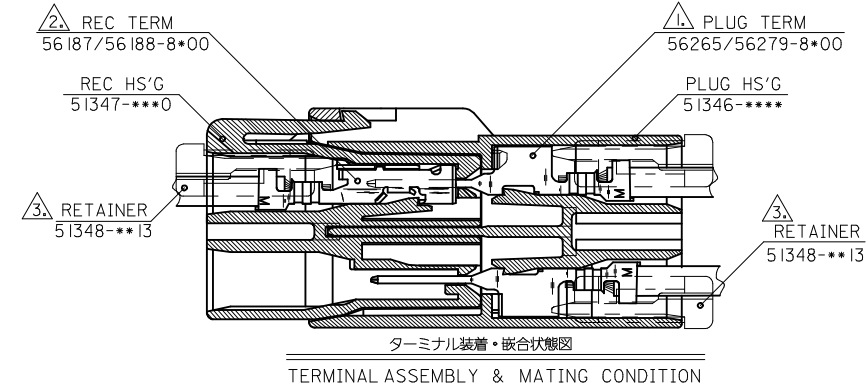
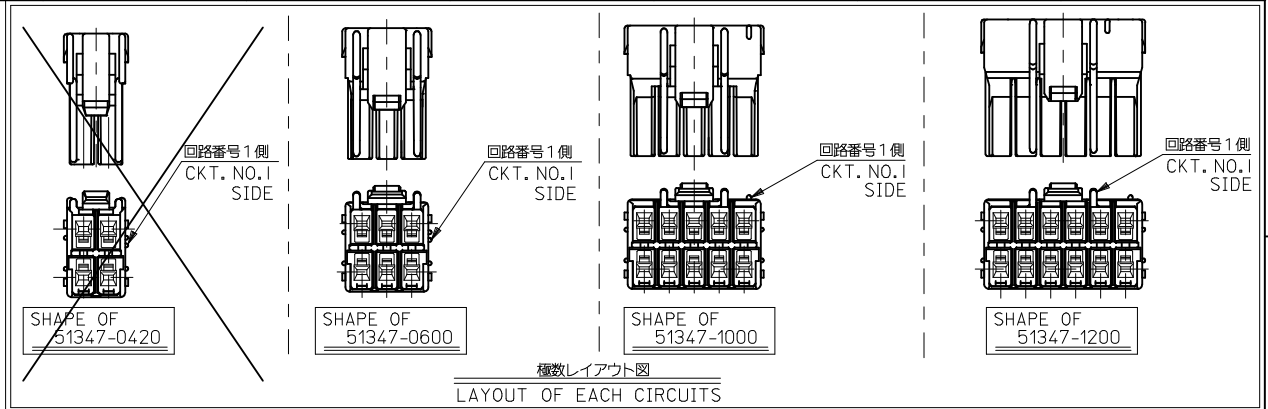
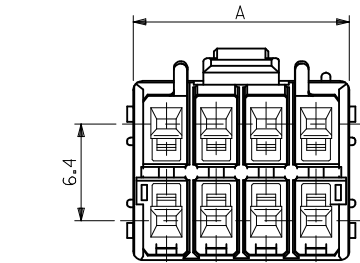
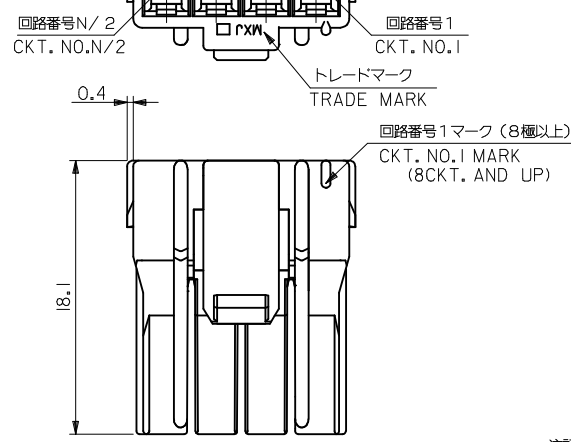
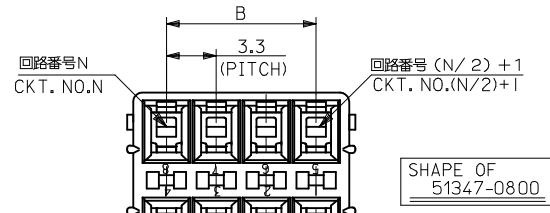
- 注記**  
NOTES
- 適合ターミナル : 56187/56188-8\*00, 500989-1\*00  
APPLICABLE TERMINAL  
詳細はSD-56187-002/SD-56188-002/SD-500989-002 参照のこと。  
REFERENCE:SD-56187-002/SD-56188-002/SD-500989-002
  - 嵌合相手 : 55883-\*\*\*\*  
MATE WITH  
詳細はSD-55883-\*\*\*\* 参照のこと。  
REFERENCE:SD-55883-\*\*\*\*
  - 適合リテーナー : 51348-\*\*\*13  
APPLICABLE RETAINER  
詳細はSD-51348-\*\*\*\* 参照のこと。  
REFERENCE:SD-51348-\*\*\*\*
  - 材料 : ポリアミド (PA) UL94V-0  
MATERIAL : POLYAMIDE(PA) UL94V-0
  - ELV及びRoHS 適合品  
ELV AND RoHS COMPLIANT

COLOR	B	A	CKT.	MATERIAL NO.	MODEL NO.
NATURAL (IVORY)	23.1	27.5	8	51347-0850	51347-****
NATURAL (IVORY)	16.5	20.9	6	-0650	
NATURAL (IVORY)	9.9	14.3	4	-0400	
RED	6.6	11		-0312	
NATURAL (IVORY)	6.6	11	3	-0300	
BLUE	3.3	7.7		-0224	
RED	3.3	7.7	2	-0212	
NATURAL (IVORY)	3.3	7.7		51347-0200	

MATERIAL 材料	注記参照 SEE NOTES.	REVISED EC NO.: J2010-0432 DRWN: YOSHIKAWA 2009/09/11 CHKD: ASAKAWA 2009/09/14 APPR: NUKITA 2009/09/15	GENERAL TOLERANCES (UNLESS SPECIFIED)		DIMENSION STYLE MM ONLY		SCALE ---		DESIGN UNITS METRIC		THIRD ANGLE PROJECTION	
			10 UNDER ±0.2	10 OVER 30 UNDER ±0.25	30 OVER ±0.3	DRAWN BY T.ODA	DATE 2004/01/15	TITLE 3.3 W/B CONN REC HSG		MATERIAL NO.		MODEL NO.
FINISH 仕上げ	#	REV B	ANGULAR ±3 °		APPROVED BY Y. ITO		MATERIAL NO.		DOCUMENT NO.		SHEET NO.	
WIRE RANGE 適用電線範囲	#		DRAFT WHERE APPLICABLE MUST REMAIN WITHIN DIMENSIONS		SEE CHART		SD-51347-001		MOLEX INCORPORATED		1 OF 1	
INS. RANGE 被覆外径	#	THIS DRAWING CONTAINS INFORMATION THAT IS PROPRIETARY TO MOLEX INCORPORATED AND SHOULD NOT BE USED WITHOUT WRITTEN PERMISSION										

10 9 8 7 6 5 4 3 2 1

本図は2列品を示す  
DUAL ROW ASS'Y



注記  
NOTES

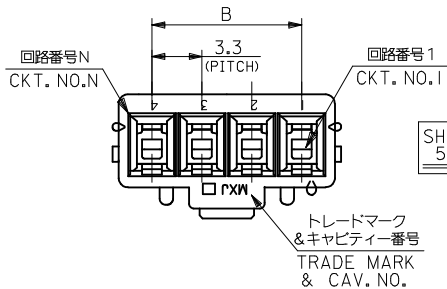
- 1. 適合ターミナル: 56187/56188シリーズ  
APPLICABLE TERMINAL: 56187/56188 SERIES
- 2. 嵌合相手: 51346シリーズ  
MATE WITH: 51346 SERIES
- 3. 適合リテーナー: 51348-\*\*\*1\* シリーズ  
APPLICABLE RETAINER: 51348-\*\*\*1\* SERIES
- 4. 材質: NYLON66, UL94V-0

51346-1200	51348-0613	NATURAL	16.5	20.9	12	51347-1200	
-1000	-0513	4	13.2	17.6	10	-1000	51347-****
-0800	-0413	4	9.9	14.3	8	-0800	
51346-0600	51348-0313	NATURAL	6.6	11	6	51347-0600	
51346-0420	51348-0213	NATURAL	3.3	7.7	4	51347-0420	
MATE WITH	CONFORMABLE-RETAINER	COLOR	B	A	CKT.	MATERIAL NO.	MODEL NO.

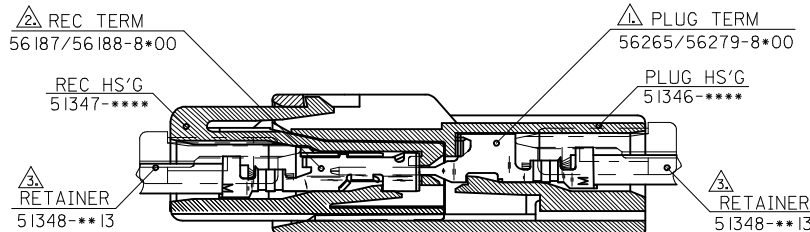
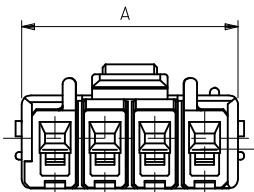
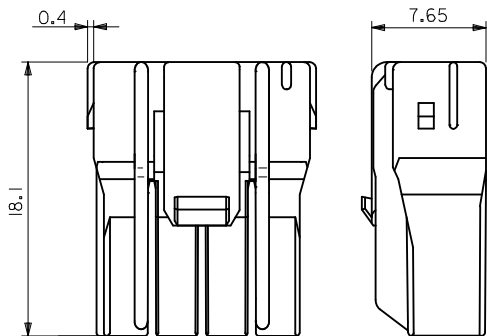
REVISED EC NO.: J2013-0477 2012/10/23 DRWN: ITO CHKD: KASAKAWA 2012/10/24 APPR: Y. ITO 2012/10/24	DESCRIPTION	GENERAL TOLERANCES (UNLESS SPECIFIED)		DIMENSION STYLE MM ONLY		SCALE ---		DESIGN UNITS METRIC		THIRD ANGLE PROJECTION		
		10 UNDER	±0.2	DRAWN BY	DATE	TITLE 3.3 W/W CONN REC HS'G						
		10 OVER 30 UNDER	±0.25	T. ODA	'04/01/15							
		30 OVER	±0.3	CHECKED BY	DATE							
		ANGULAR	±3 °	APPROVED BY	DATE	MATERIAL NO.		DOCUMENT NO.		SHEET NO.		
		DRAFT WHERE APPLICABLE MUST REMAIN WITHIN DIMENSIONS		SIZE A3		THIS DRAWING CONTAINS INFORMATION THAT IS PROPRIETARY TO MOLEX INCORPORATED AND SHOULD NOT BE USED WITHOUT WRITTEN PERMISSION						

9 8 7 6 5 4 3 2

本図は1列品を示す  
SINGLE ROW ASS'Y

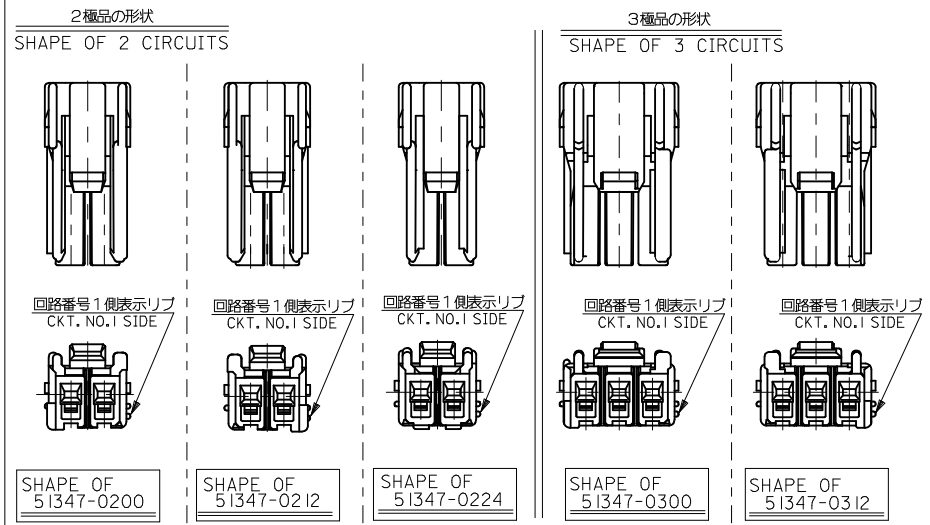


SHAPE OF 51347-0400



ターミナル装着・嵌合状態図  
TERMINAL ASSEMBLY & MATING CONDITION

各種形状を下記に参考として示す。  
尚、2種及び3種については嵌合間口にて誤嵌合/パリエーションを持たせている為組み合わせには注意して下さい。



- 注記 NOTES
- △ 適合ターミナル APPLICABLE TERMINAL : 56265/56279-8\*00  
詳細はSD-56265-001/SD-56279-001参照のこと。  
REFERENCE:SD-56265-001/SD-56279-001
  - △ 適合ターミナル APPLICABLE TERMINAL : 56187/56188-8\*00  
詳細はSD-56187-002/SD-56188-002参照のこと。  
REFERENCE:SD-56187-002/SD-56188-002
  - △ 適合リテーナー APPLICABLE RETAINER : 51348-\*\*\*13  
詳細はSD-51348-\*\*\*参照のこと。  
REFERENCE:SD-51348-\*\*\*
- 4, 材料 MATERIAL : NYLON66, UL94V-0

51346-0400	51348-0413	NATURAL	9.9	14.3	4	51347-0400	51347-****
-0312	-0313	RED	6.6	11	3	-0312	
-0300	-0313	NATURAL	6.6	11	3	-0300	
-0224	-0213	BLUE	3.3	7.7	2	-0224	
-0212	-0213	RED	3.3	7.7	2	-0212	
51346-0200	51348-0213	NATURAL	3.3	7.7		51347-0200	
MATE WITH	CONFORMABLE-RETAINER	COLOR	B	A	CKT.	MATERIAL NO.	MODEL NO.

REVISED EC NO.: J2013-0477 2012/10/23 DRWN: ITO CHKD: KASAKAWA 2012/10/24 APPR: Y010 2012/10/24	DESCRIPTION REV	GENERAL TOLERANCES (UNLESS SPECIFIED)		DIMENSION STYLE MM ONLY		SCALE ---		DESIGN UNITS METRIC		THIRD ANGLE PROJECTION		
		10 UNDER	±0.2	DRAWN BY	DATE	TITLE 3.3W/W CONN REC HS'G						
		10 OVER 30 UNDER	±0.25	T. ODA	'04/01/15							
		30 OVER	±0.3	CHECKED BY	DATE							
ANGULAR ±3 °		DRAFT WHERE APPLICABLE MUST REMAIN WITHIN DIMENSIONS		APPROVED BY		DATE		MATERIAL NO.		DOCUMENT NO.		
				Y. ITO				SEE TABLE		SD-51347-002		
				SIZE		A3		THIS DRAWING CONTAINS INFORMATION THAT IS PROPRIETARY TO MOLEX INCORPORATED AND SHOULD NOT BE USED WITHOUT WRITTEN PERMISSION				