

MATERIALS AND FINISHES

BODY: BRASS  
PLATED: NICKEL

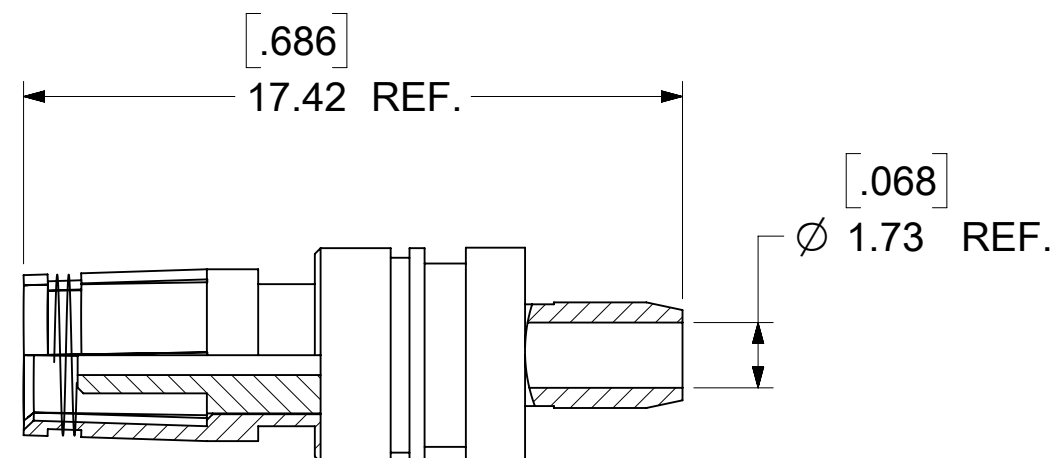
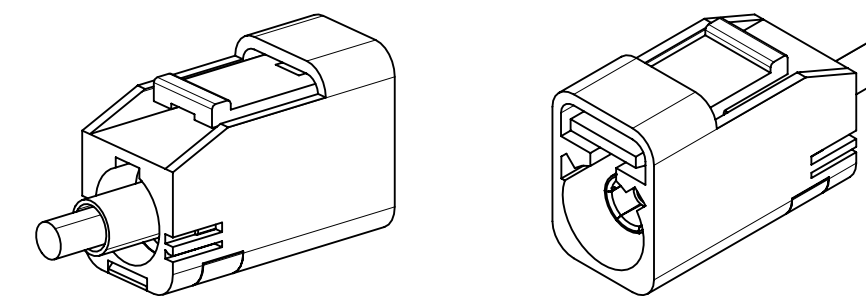
CENTER CONTACT: PHOSPOR BRONZE  
PLATED: GOLD

CRIMP TUBE: BRASS  
PLATED: NICKEL

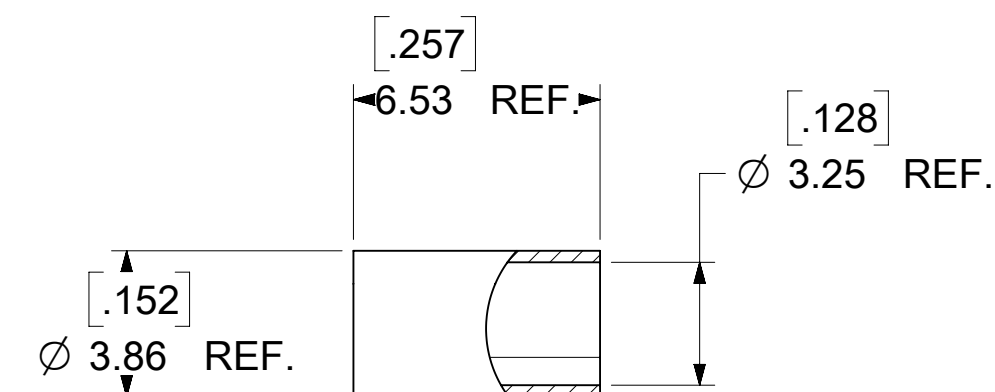
OUTER CASING: NYLON 66 OR EQUIVALENT  
KEYING: SEE TABLE  
COLOR: SEE TABLE

INSULATOR: PP

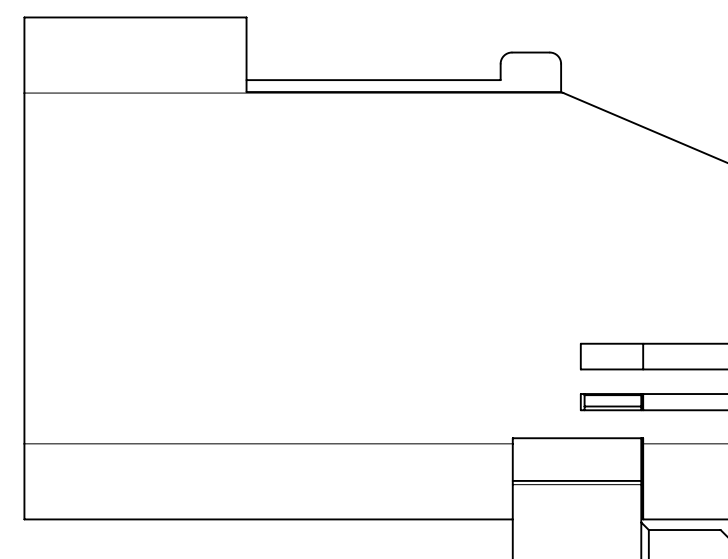
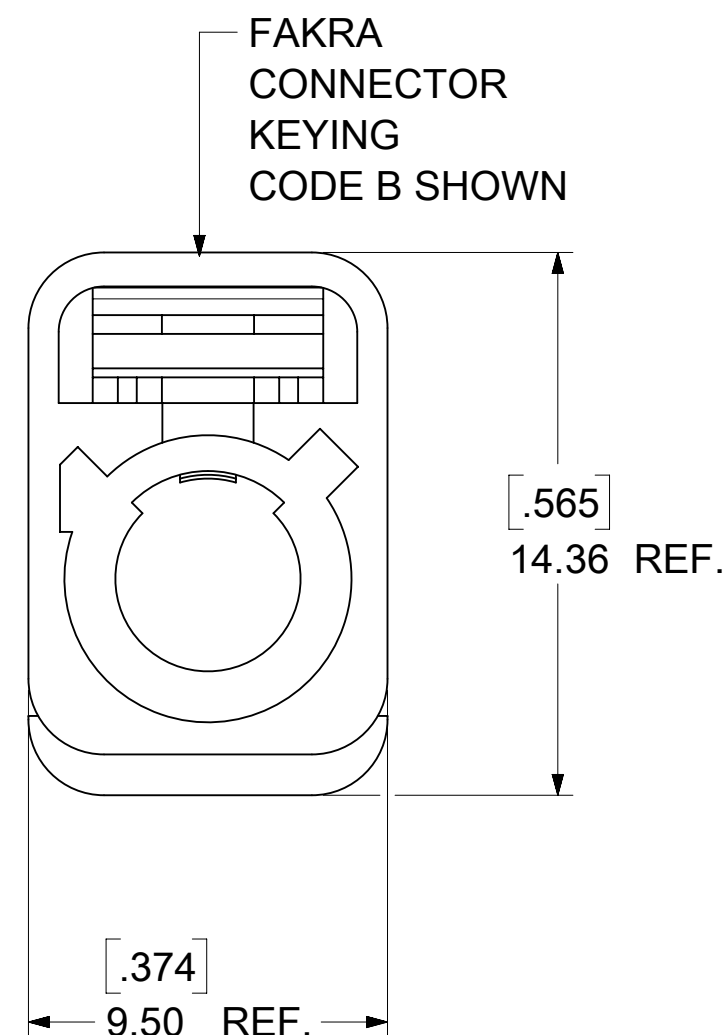
PACKAGING BY SINGLE BAG



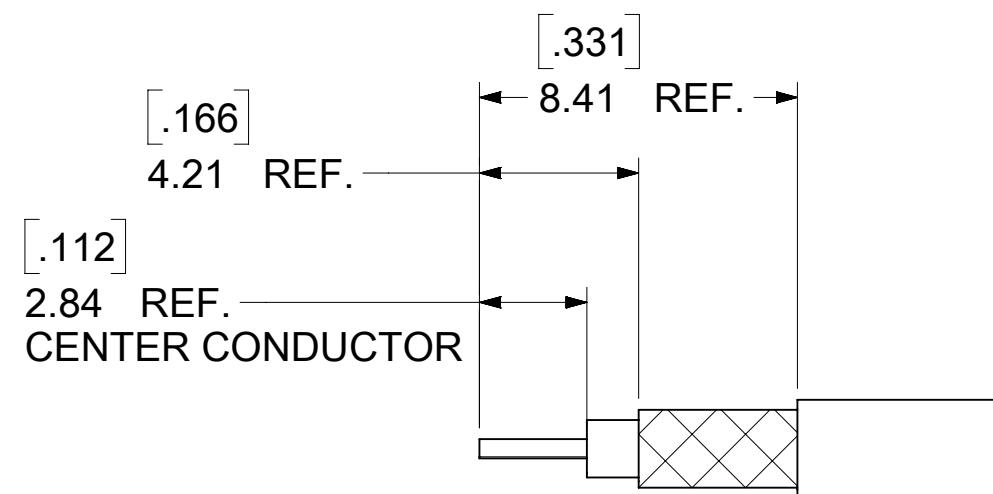
CENTER CONTACT  
PART NO.: 89538-0781



CRIMP TUBE  
PART NO.: 89613-1792



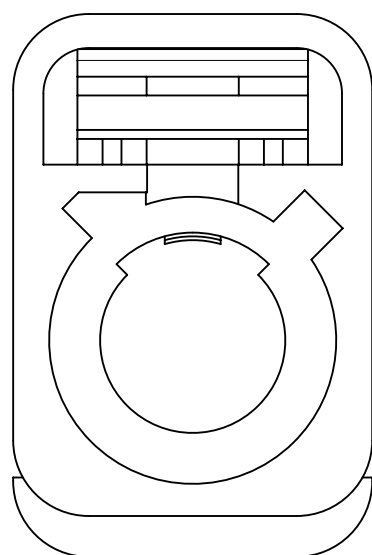
SECONDARY LOCK  
(TPA)



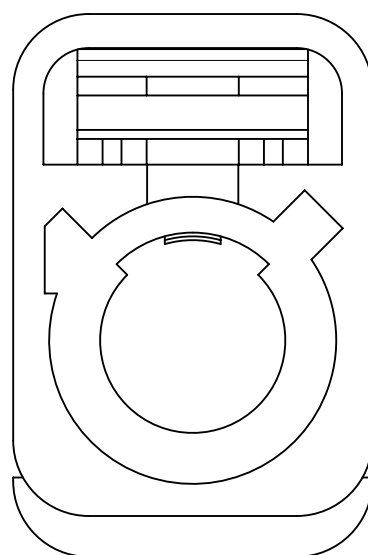
RECOMMENDED CABLE STRIP DIM.

AS-73597-045	ASSEMBLY INSTYUCTION
PS-89675-331	PRODUCT SPECIFICATION
DIN 72594-1	INTERFACE SPECIFICATION
SPECIFICATION	DESCRIPTION

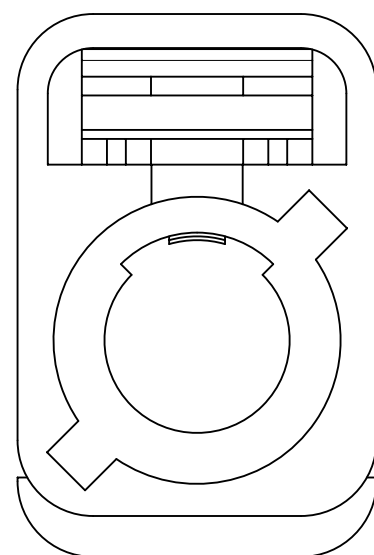
FUNCTIONAL SYMBOLS $\nabla_A = 0$ $\nabla_C = 0$ $\nabla_P = 0$	THIS DRAWING CONTAINS INFORMATION THAT IS PROPRIETARY TO MOLEX ELECTRONIC TECHNOLOGIES, LLC AND SHOULD NOT BE USED WITHOUT WRITTEN PERMISSION														
	DIMENSION UNITS	SCALE	CURRENT REV DESC: ADDED NOTE PER EWR # 15738-A												
	HYBRID	NTS													
	GENERAL TOLERANCES (UNLESS SPECIFIED)			EC NO: 744129								2023/03/23			
ANGULAR TOL ± 2.0°			DRWN: ELIN								2023/03/31				
4 PLACES ±			CHK'D: YCHENG								2023/03/31				
3 PLACES ±			APPR: YCHENG								2023/03/31				
2 PLACES ±			INITIAL REVISION:								DOCUMENT NUMBER		DOC TYPE	DOC PART	REVISION
1 PLACE ±			DRWN: ELIN								SD-73403-626		PSD	001	A3
0 PLACES ±			APPR: MHUANG								MATERIAL NUMBER		CUSTOMER		SHEET NUMBER
DRAFT WHERE APPLICABLE MUST REMAIN WITHIN DIMENSIONS			THIRD ANGLE PROJECTION		DRAWING		SERIES		SEE TABLE		GENERAL MARKET		1 OF 3		



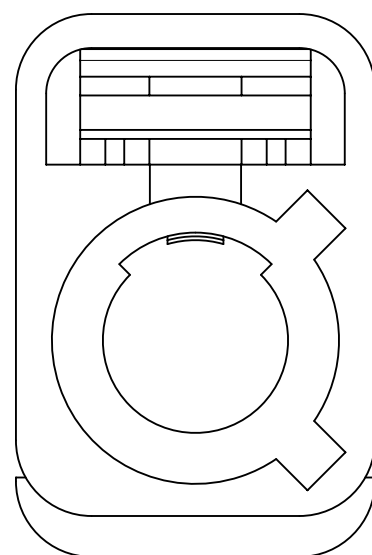
CODE A



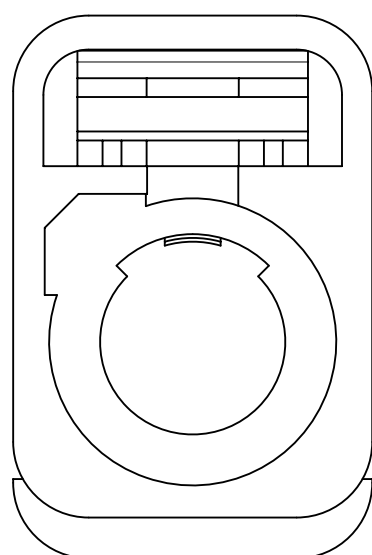
CODE B



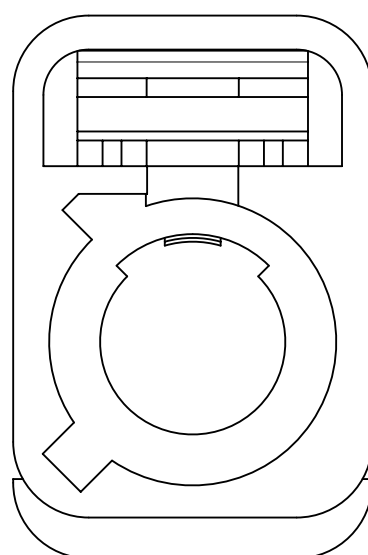
CODE C



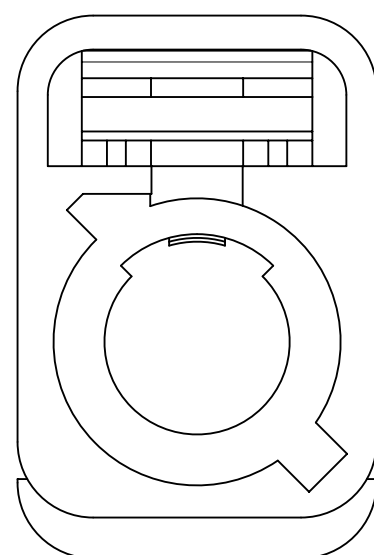
CODE D



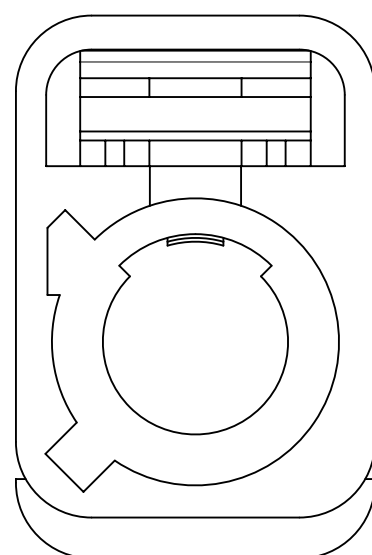
CODE E



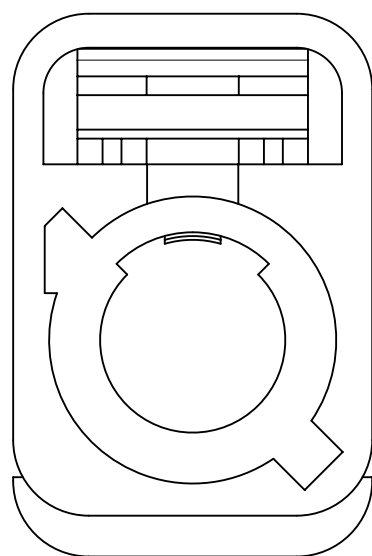
CODE F



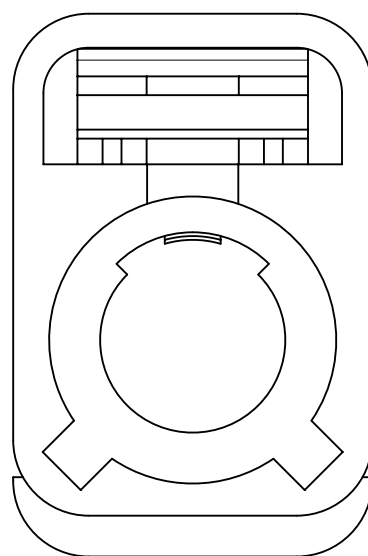
CODE G



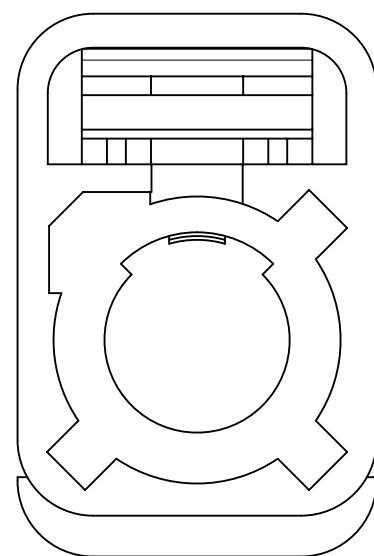
CODE H



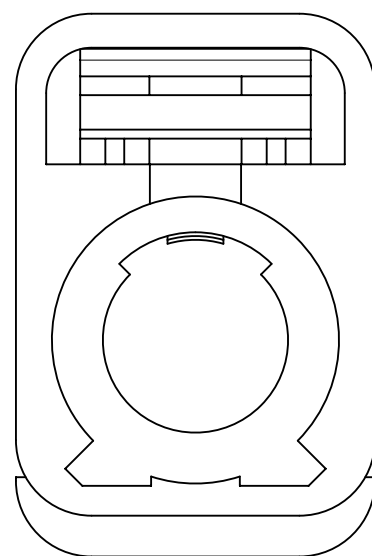
CODE I



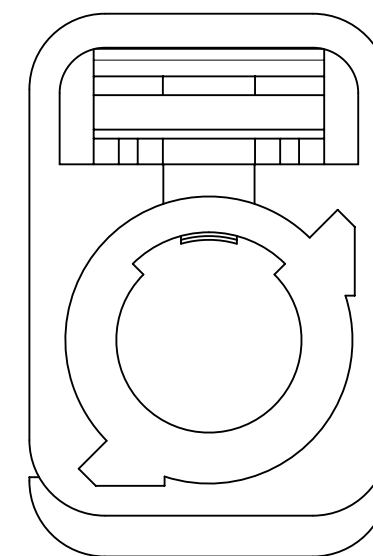
CODE K



CODE Z



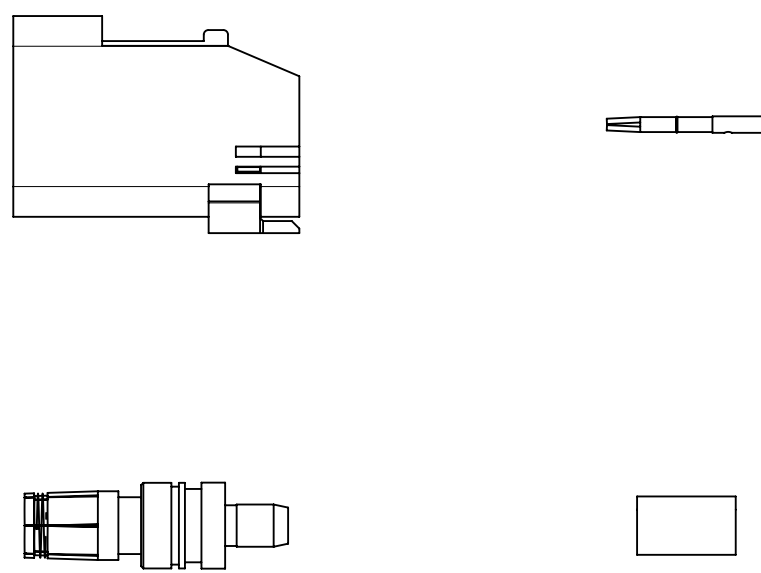
CODE M  
CODE L



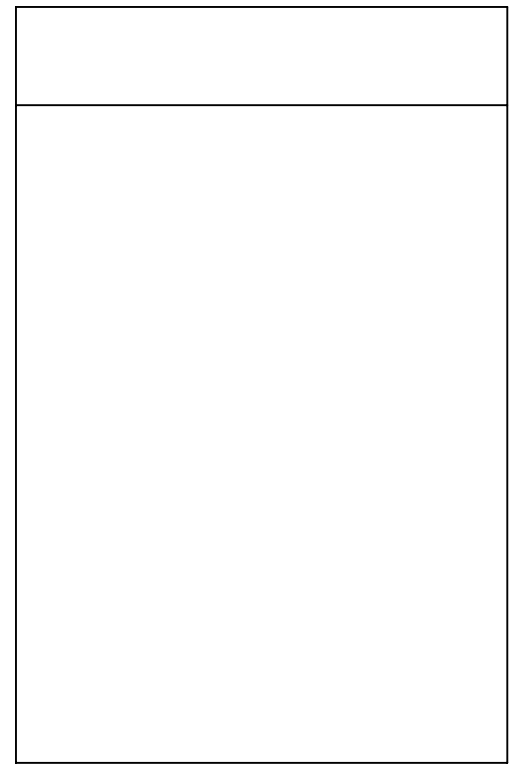
CODE N

N	PASTEL GREEN	73403-6273	SINGLE BAG	73403-8973	BULK PACK
M	PASTEL ORANGE	73403-6272		73403-8982	
L	CARMINE RED	73403-6271		73403-8981	
Z	WATER BLUE	73403-6270		73403-8980	
K	CURRY YELLOW	73403-6269		73403-8979	
I	BEIGE	73403-6268		73403-8978	
H	VIOLET	73403-6267		73403-8977	
G	GRAY	73403-6266		73403-8976	
F	BROWN	73403-6265		73403-8975	
E	GREEN	73403-6264		73403-8974	
D	BORDEAUXVILLOET	73403-6263		73403-8973	
C	BLUE	73403-6262		73403-8972	
B	SINGLE WHITE	73403-6261		73403-8971	
A	BLACK	73403-6260	73403-8970		
KEYING CODE	COLOR	PART NO.	PACKAGE	PART NO.	PACKAGE

FUNCTIONAL SYMBOLS										THIS DRAWING CONTAINS INFORMATION THAT IS PROPRIETARY TO MOLEX ELECTRONIC TECHNOLOGIES, LLC AND SHOULD NOT BE USED WITHOUT WRITTEN PERMISSION									
DIMENSION UNITS		SCALE		CURRENT REV DESC: ADDED NOTE PER EWR # 15738-A						<b>molex</b>									
HYBRID		NTS		EC NO: 744129															
GENERAL TOLERANCES (UNLESS SPECIFIED)										SMB PLUG FAKRA STR. 50 OHMS FOR RG316 FAKRA -PC									
ANGULAR TOL ± 2.0°										PRODUCT CUSTOMER DRAWING									
DIVISIONAL SYMBOLS		4 PLACES ±		DRWN: ELIN 2023/03/23						DOCUMENT NUMBER									
		3 PLACES ±		CHK'D: YCHENG 2023/03/31						SD-73403-626									
		2 PLACES ±		APPR: YCHENG 2023/03/31						DOC TYPE DOC PART REVISION									
		1 PLACE ±		INITIAL REVISION:						PSD 001 A3									
		0 PLACES ±		DRWN: ELIN 2012/12/05						MATERIAL NUMBER									
		DRAFT WHERE APPLICABLE MUST REMAIN WITHIN DIMENSIONS		THIRD ANGLE PROJECTION		DRAWING		SERIES		CUSTOMER		SHEET NUMBER							
				C-SIZE		73403		SEE TABLE		GENERAL MARKET		2 OF 3							



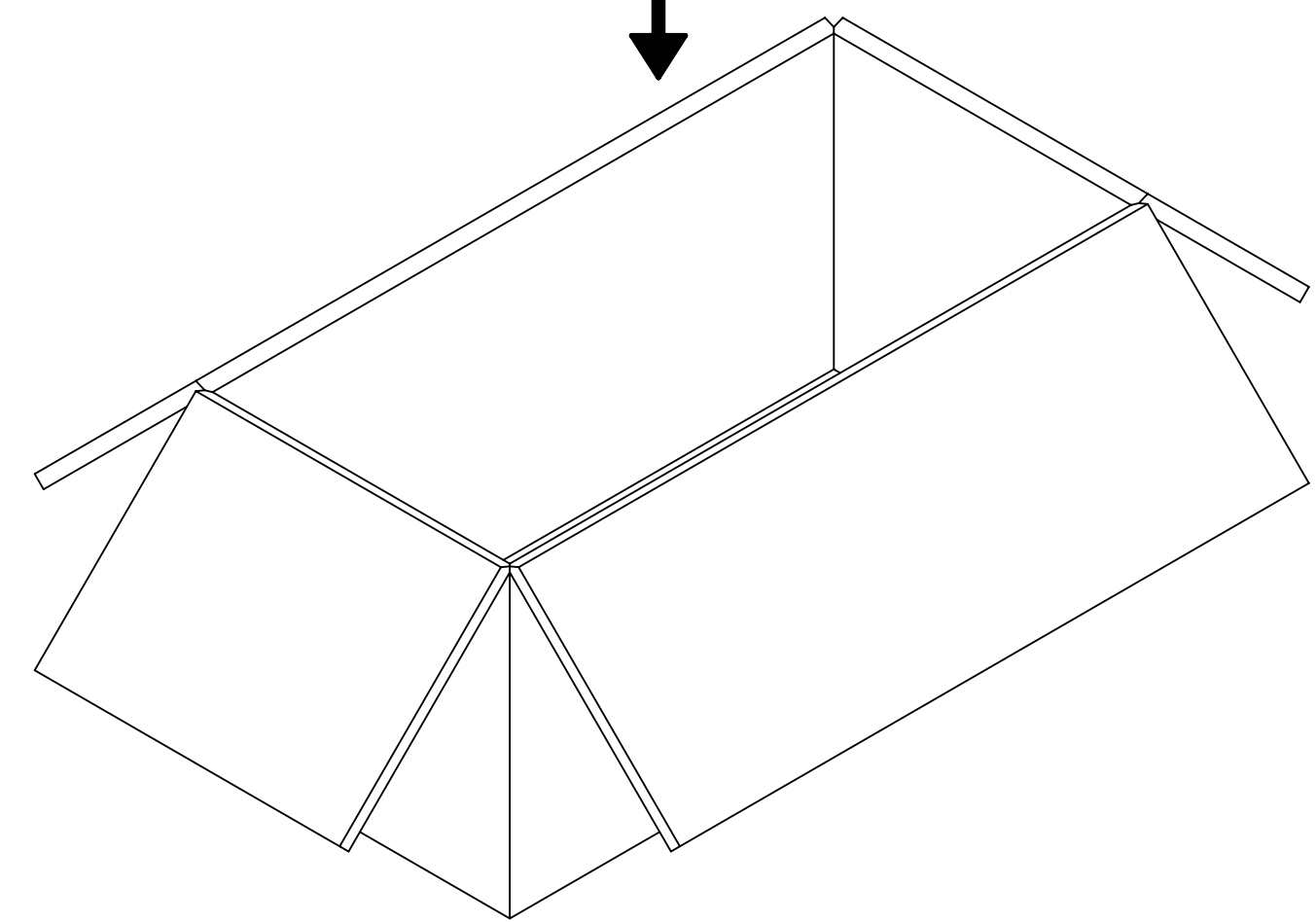
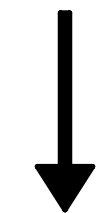
SHROUD WITH TPA x1  
 CRIMP TUBE x1  
 SMB SUB ASSY x1  
 CENTER CONTACT x1



1 SET PER BAG  
 BAG P/N: 89707-0317



50 SET PER BAG  
 BAG P/N: 89707-0174  
 6" x 12"



500 SET PER CARTON BOX  
 P/N: 96707-0002  
 367\*176\*188mm

FUNCTIONAL SYMBOLS $\frac{F}{A} = 0$ $\frac{F}{C} = 0$ $\frac{F}{P} = 0$	THIS DRAWING CONTAINS INFORMATION THAT IS PROPRIETARY TO MOLEX ELECTRONIC TECHNOLOGIES, LLC AND SHOULD NOT BE USED WITHOUT WRITTEN PERMISSION											
	DIMENSION UNITS	SCALE	CURRENT REV DESC: ADDED NOTE PER EWR # 15738-A									
	HYBRID	NTS										
	GENERAL TOLERANCES (UNLESS SPECIFIED)										SMB PLUG FAKRA STR. 50 OHMS FOR RG316 FAKRA -PC PRODUCT CUSTOMER DRAWING	
ANGULAR TOL $\pm 2.0^\circ$												
DIVISIONAL SYMBOLS										DOCUMENT NUMBER <b>SD-73403-626</b> DOC TYPE PSD DOC PART 001 REVISION <b>A3</b>		
4 PLACES $\pm$		EC NO: 744129		2023/03/23								
3 PLACES $\pm$		DRWN: ELIN		2023/03/31								
2 PLACES $\pm$		CHK'D: YCHENG		2023/03/31								
1 PLACE $\pm$		APPR: YCHENG		INITIAL REVISION:								
0 PLACES $\pm$		DRWN: ELIN		2012/12/05		2013/07/10						
DRAFT WHERE APPLICABLE MUST REMAIN WITHIN DIMENSIONS		THIRD ANGLE PROJECTION		DRAWING		SERIES		MATERIAL NUMBER		CUSTOMER		
				C-SIZE		73403		SEE TABLE		GENERAL MARKET		
										SHEET NUMBER 3 OF 3		