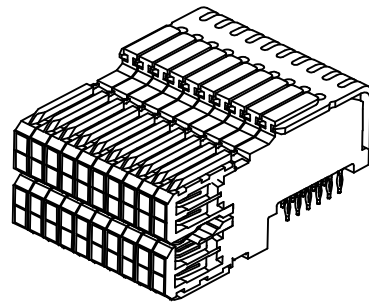


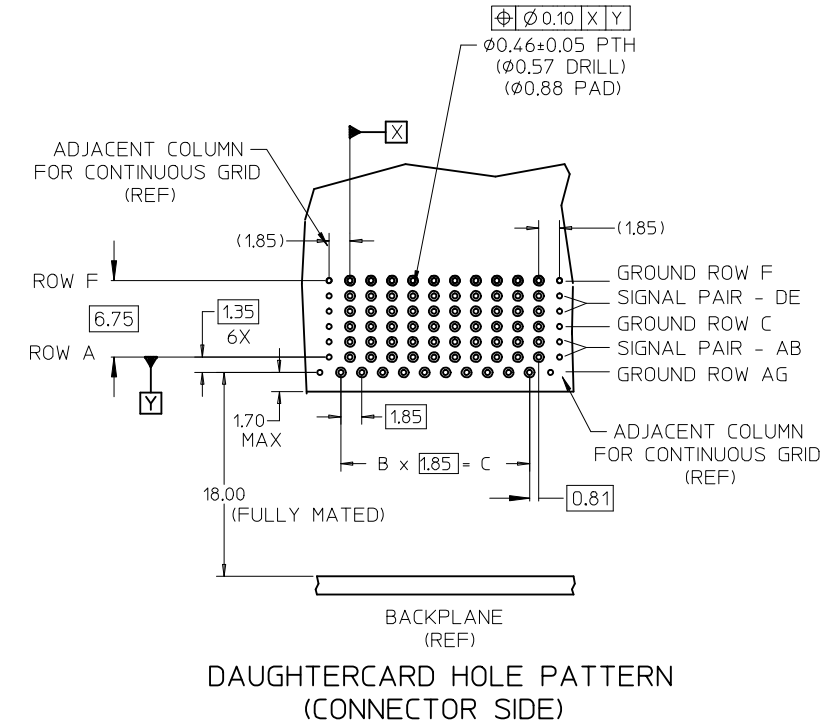
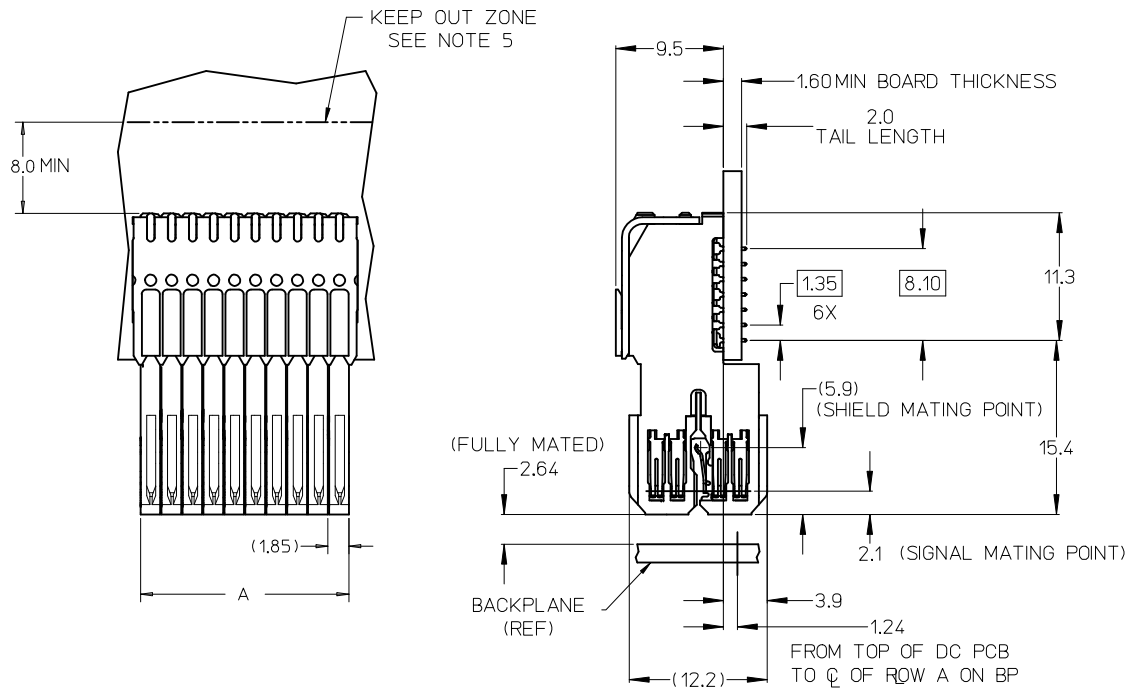
NOTES: (UNLESS OTHERWISE SPECIFIED)

1. MATERIALS: HOUSING - LIQUID CRYSTAL POLYMER (LCP),
GLASS-FILLED, UL94V-0
TERMINALS - HIGH PERFORMANCE COPPER ALLOY
2. FINISH: SELECTIVE GOLD (Au) IN CONTACT AREA,
SELECTIVE MATTE TIN (Sn) ON PCB TAILS,
NICKEL (Ni) OVERALL.
3. REFER TO MOLEX PRODUCT SPECIFICATION PS-75221-999 FOR
PERFORMANCE SPECIFICATIONS.
4. SIGNAL WAFERS ARE SUPPLIED ON A STAINLESS STEEL STIFFENER
IN GROUPS OF 10 OR 25.
5. THE SPECIFIED KEEP-OUT ZONE IS REQUIRED FOR CONNECTOR REPAIRABILITY.
6. ROWS A,B,D AND E ARE SIGNAL ROWS.
7. ROWS AG, C AND F ARE GROUND ROWS.
8. MAPS (MOLEX ADVANCE PLATING SYSTEM).



| MATERIAL NUMBER | MINIMUM GOLD PLATING | TAIL PLATING DESCRIPTION |
|-----------------|----------------------------------------|--------------------------|
| * 75651-0001 | 0.76 MICROMETERS (30 MICROINCHES) | MATTE TIN |
| * 75651-0051 | 1.27 MICROMETERS (50 MICROINCHES) | MATTE TIN |
| 75651-0031 | 0.76 MICROMETERS (30 MICROINCHES) | MATTE TIN |
| 75651-0011 | 0.25 MICROMETERS MAPS (10 MICROINCHES) | MATTE TIN |

* FORMERLY TIN/LEAD



| NUMBER OF SIGNAL WAFERS | A | B | C |
|-------------------------|-------|----|-------|
| 10 | 18.50 | 9 | 16.65 |
| 25 | 46.25 | 24 | 44.40 |

| | | | | | |
|--------------------------------------------------------------------------------------------------------------------------------------------------------------------|-----------------|---------------------------------------|------------------------------------------------------|--------------------------------------------------------------------------------------------------------------------------------|------------------------|
| UPDATE NOTES & TABLE EC NO: UCP2013-3526 DRWNS:VANG01 2013/04/19 CHKD:MMOLFE 2013/04/19 APPR:SMILLER 2013/06/24 REVISIONS 1 2 3 | QUALITY SYMBOLS | GENERAL TOLERANCES (UNLESS SPECIFIED) | DIMENSION STYLE MM ONLY | SCALE DESIGN UNITS METRIC | THIRD ANGLE PROJECTION |
| | ▽=0 | 4 PLACES ± --- ± --- | DRAWN BY DATE KMULVEY 05/12/28 | TITLE GBX 2 PAIR DAUGHTERCARD SIGNAL WAFER SALES DRAWING | |
| | ▽=0 | 3 PLACES ± --- ± --- | CHECKED BY DATE JMYCZEK 05/12/28 | molex | |
| | ▽=0 | 2 PLACES ± 0.13 ± --- | APPROVED BY DATE CBI XLER 05/12/28 | DOCUMENT NO. SD-75651-001 | SHEET NO. 1 OF 1 |
| | | 1 PLACE ± 0.25 ± --- | MATERIAL NO. SEE TABLE | THIS DRAWING CONTAINS INFORMATION THAT IS PROPRIETARY TO MOLEX. INCORPORATED AND SHOULD NOT BE USED WITHOUT WRITTEN PERMISSION | |
| | | 0 PLACE ± ± | ANGULAR ±1/2° | | |
| | | | DRAFT WHERE APPLICABLE MUST REMAIN WITHIN DIMENSIONS | | |