

MATERIAL NUMBER	# OF COLUMNS	# OF DIFF PAIR	DIM "A" MAX	DIM "B"	PTH ϕ
76990-1008	8	40	16.20	14.05	0.46 \pm 0.05
76990-1038	8	40	16.20	14.05	0.39 \pm 0.05
76990-1010	10	50	20.25	18.10	0.46 \pm 0.05
76990-1020	10	50	20.25	18.10	0.39 \pm 0.05
76990-1012	12	60	24.30	22.15	0.46 \pm 0.05
76990-1022	12	60	24.30	22.15	0.39 \pm 0.05

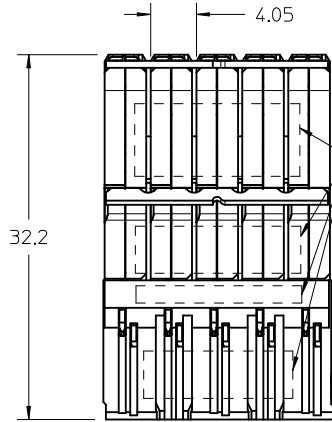
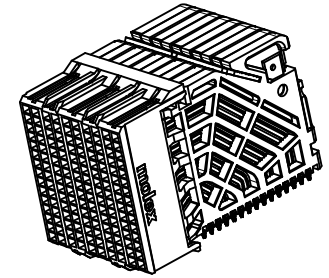
76990-~~*~~0~~**~~

MODULE & PLATING TYPE

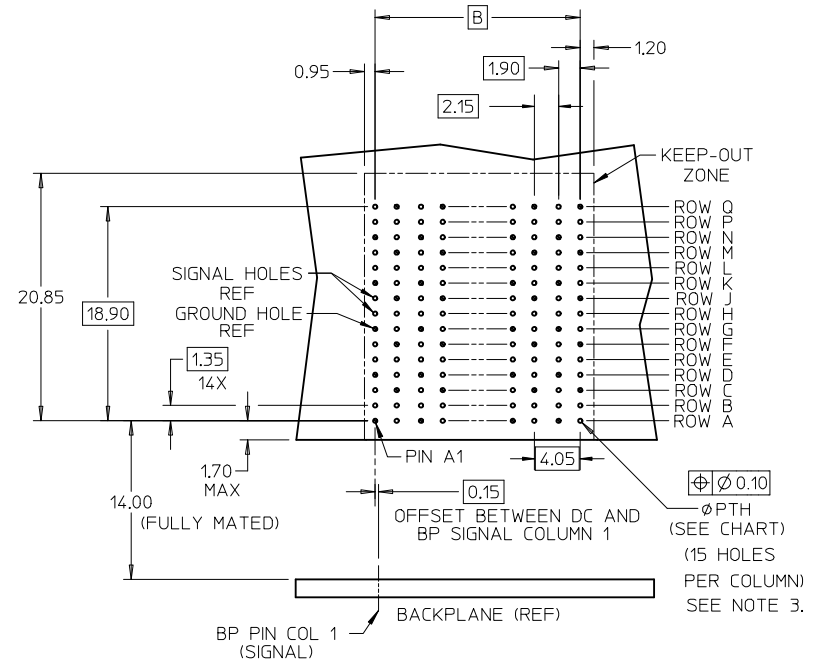
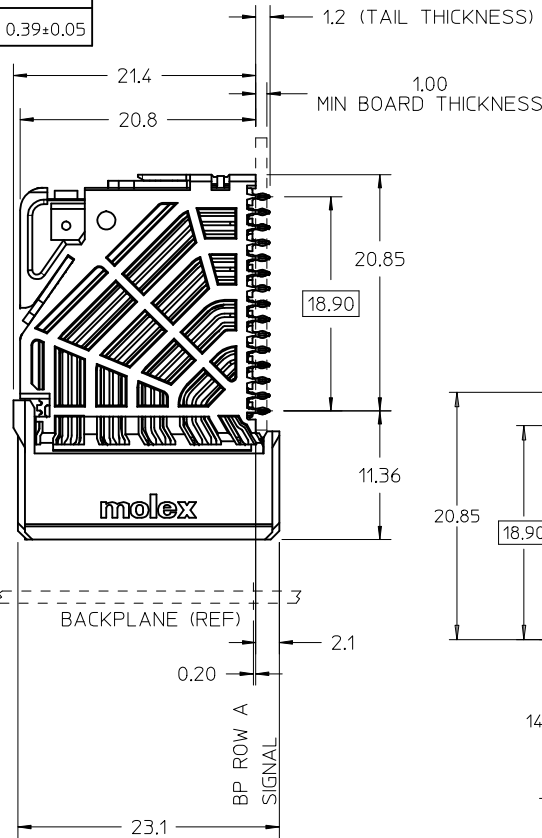
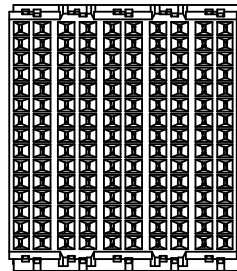
1 = UNGUIDED, TIN

OF COLUMNS

08 = 8 COL 0.46 PTH
 38 = 8 COL 0.39 PTH
 10 = 10 COL 0.46 PTH
 20 = 10 COL 0.39 PTH
 12 = 12 COL 0.46 PTH
 22 = 12 COL 0.39 PTH



SEE NOTE 9



DAUGHTERCARD HOLE PATTERN
(CONNECTOR SIDE)

NOTES:

- MATERIALS: HOUSING - LIQUID CRYSTAL POLYMER (LCP), GLASS-FILLED, UL94V-0
TERMINALS - HIGH PERFORMANCE COPPER ALLOY
- FINISH: 30 μ IN MIN GOLD IN CONTACT AREA. SELECTIVE TIN ON PCB TAILS. NICKEL OVERALL.
- REFER TO MOLEX PRODUCT SPEC PS-76060-999 FOR PERFORMANCE SPECIFICATIONS AND ADDITIONAL PCB INFORMATION.
- EACH SIGNAL WAFER CONTAINS 2 COLUMNS OF TERMINALS.
- PRODUCT IS PACKAGED PER PK-70873-611.
- THIS PART CONFORMS TO CLASS B REQUIREMENTS OF COSMETIC SPEC PS-45499-002.
- REFER TO MOLEX SALES DRAWING SD-76985-001 FOR THE MATING HEADERS.
- REFER TO MOLEX ROUTING GUIDE AS-76850-990 FOR ADDITIONAL PCB LAYOUT AND ROUTING RECOMMENDATIONS.
- MARKING: LOCATED APPROXIMATELY AS SHOWN. PART NUMBER AND DATE CODE.

ADD LASER MARK INFO EC NO: UCP2016-3973 DRAWN: VARVARA 2015/07/29 CHKD: TELO 2016/02/22 APPR: TELO 2016/04/20	QUALITY SYMBOLS ▽=0 ▽=0	GENERAL TOLERANCES (UNLESS SPECIFIED)		DIMENSION STYLE MM ONLY	SCALE 3:1	DESIGN UNITS METRIC	THIRD ANGLE PROJECTION	
		4 PLACES \pm --- \pm --- 3 PLACES \pm --- \pm --- 2 PLACES \pm 0.15 \pm --- 1 PLACE \pm 0.25 \pm ---	mm INCH	DRAWN BY: JLAURX DATE: 4/29/09 CHECKED BY: TELO DATE: 2010/01/13 APPROVED BY: JB INGHAM DATE: 2010/01/14	TITLE: IMPACT DAUGHTERCARD 5 PAIR ORTHOGONAL UNGUIDED SALES DRAWING	MOLEX	MOLEX INCORPORATED	SHEET NO. 1 OF 1
		ANGULAR \pm 1/2°		MATERIAL NO.	DOCUMENT NO.	SD-76990-001		
		DRAFT WHERE APPLICABLE MUST REMAIN WITHIN DIMENSIONS		SEE CHART			THIS DRAWING CONTAINS INFORMATION THAT IS PROPRIETARY TO MOLEX INCORPORATED AND SHOULD NOT BE USED WITHOUT WRITTEN PERMISSION	