

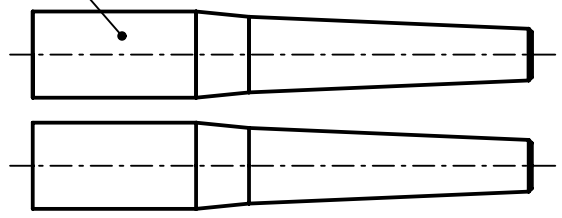
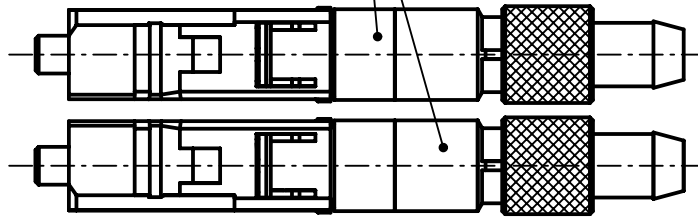
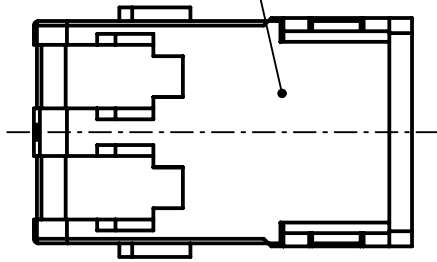
1 2 3 4 5 6

A

data container SCRJ

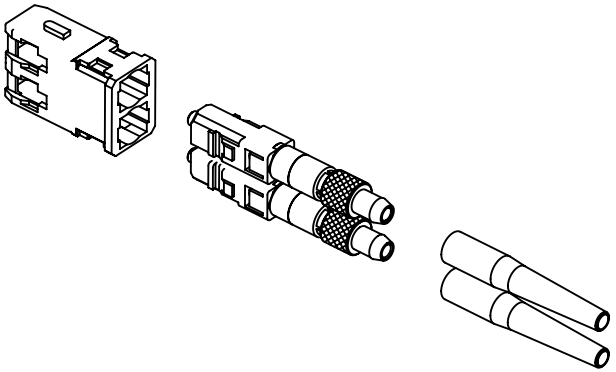
2x SC-POF connector with lock nut

bend protection



B

C



D

	All Dimensions in mm Original Size DIN A4		Scale 2:1	Free size tol.		Ref. Sub. TB 09350024-002 / 500000056362 / 2012-12-12		
		All rights reserved Department EC PD - DE	Created by KAHLERK	Inspected by ELLERMANN	Standardisation HOFFMANN	Date 2016-03-09	State Final Release	
HARTING Electronics GmbH D-32339 Espelkamp		Title Han PP V14 SCRJ POF IP20 plug				Doc-Key / ECM-Nr. 100195486/UGD/002/D 500000101428		
			Type TB	Number 09350024-002			Rev. D	Page 1/1