

4

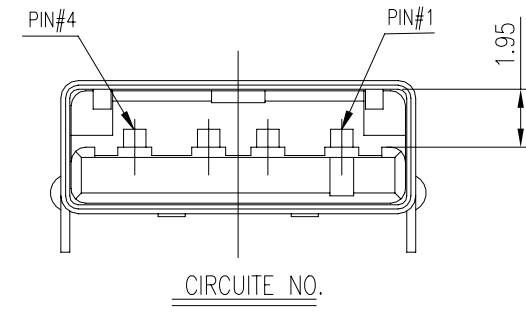
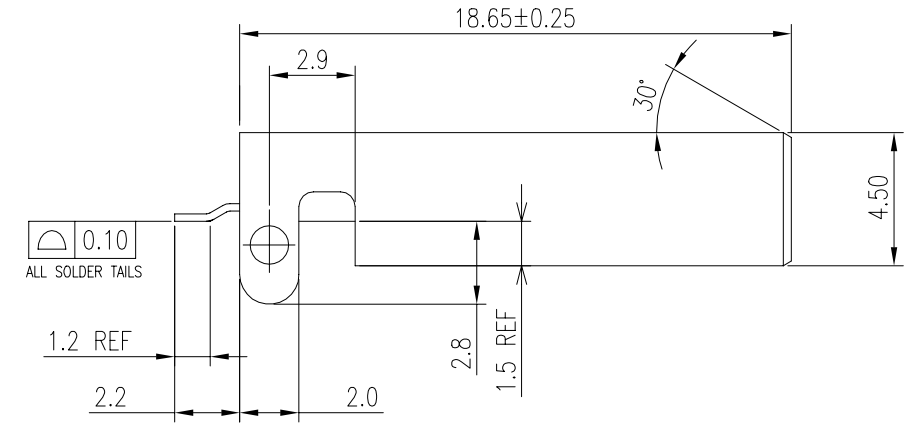
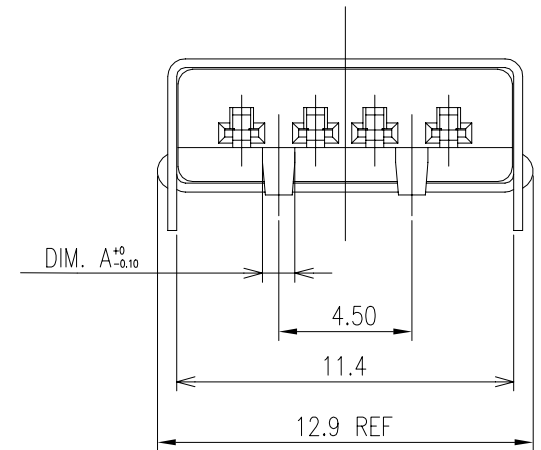
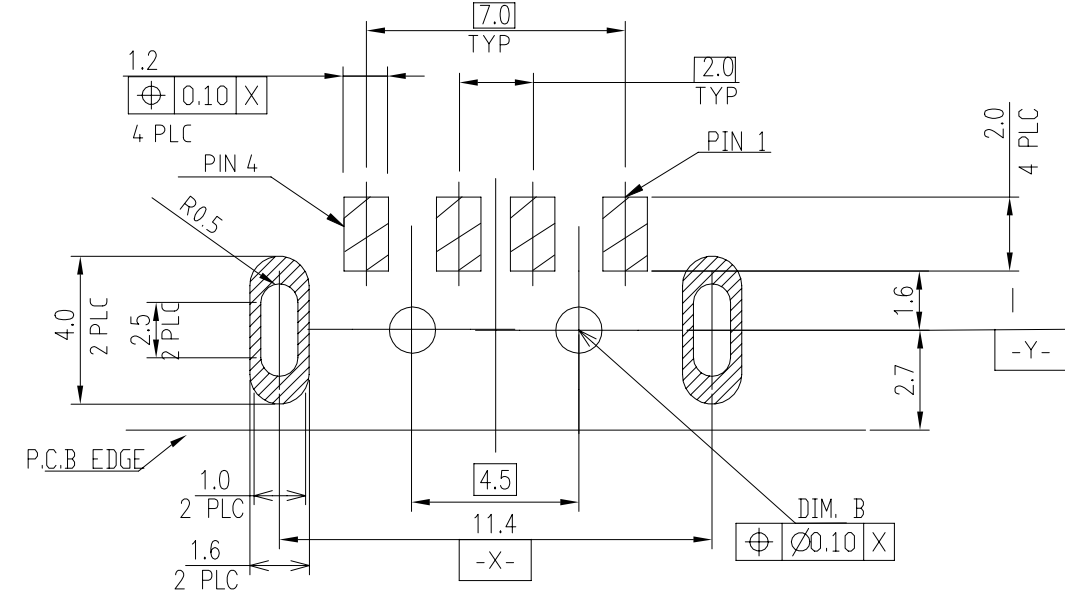
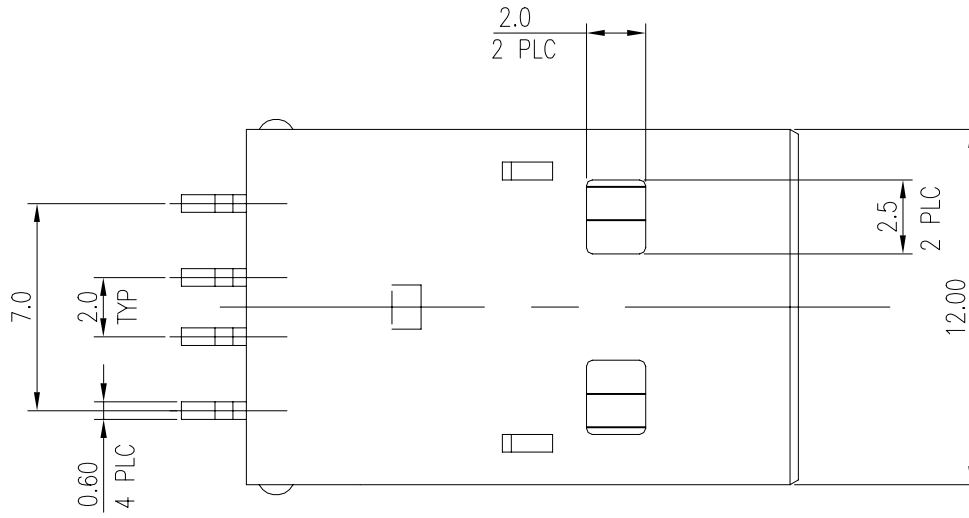
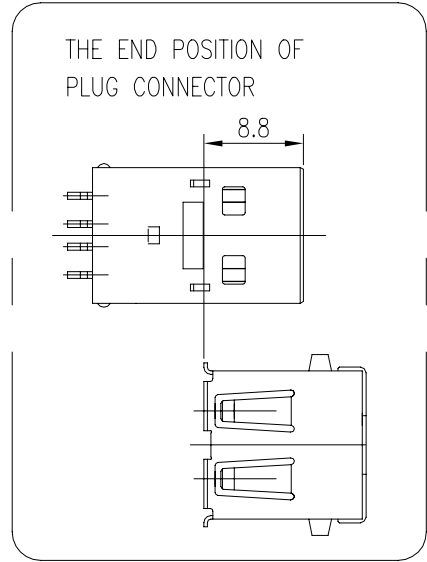
3

2

1

THIS DRAWING IS UNPUBLISHED. RELEASED FOR PUBLICATION  
 © COPYRIGHT 2010 BY TYCO ELECTRONICS CORPORATION. ALL RIGHTS RESERVED.

LOC	DIST	REVISIONS			
P	LTR	DESCRIPTION	DATE	DWN	APVD
DW		REVISED PER ECN-22-168605	17AUG2022	AK	SZ



- NOTES:
- MATERIAL:  
 HOUSING: PA-6T WITH 30%GF, UL 94V-0 COLOR: NATURAL/BLACK.  
 OR  
 HPPA WITH 30%GF, UL 94V-0 COLOR: WHITE.  
 CONTACT: BRASS.  
 SHELL: COLD ROLL STEEL, (SPCC-1).
  - FINISH:  
 CONTACTS: GOLD FLASH OVER  
 0.76um [30u"] MIN. PALLADIUM-NICKEL PLATING ON CONTACT AREA,  
 2.54um [100u"] MIN. MATTE-TIN ON SOLDER TAILS  
 1.27um [50u"] MIN. NICKEL UNDERPLATING ALL OVER.  
 SHELL: 3.048um [120u"] MIN. NICKEL PLATED OVER  
 5.08um (200u") MIN. CU UNDERPLATED ALL OVER.
  - REFLOW SOLDER CAPABLE TO 260°C PER TE TEST SPEC.  
 109-201, CONDITION B.

OBSELETE	REEL	Ø1.40	Ø1.50	BLACK	1-1734028-4
		Ø1.00	Ø1.10	SEE NOTE 1	1-1734028-3
OBSELETE		Ø1.40	Ø1.50	NATURE	1-1734028-2
		Ø1.00	Ø1.10	SEE NOTE 1	1-1734028-1
	TRAY	Ø1.40	Ø1.50	BLACK	1734028-4
		Ø1.00	Ø1.10	BLACK	1734028-3
OBSELETE		Ø1.40	Ø1.50	NATURE	1734028-2
		Ø1.00	Ø1.10	SEE NOTE 1	1734028-1
	PACKING	DIM.A	DIM.B(PCB)	HSG. COLOR	PART NUMBER

THIS DRAWING IS A CONTROLLED DOCUMENT.

DIMENSIONS: mm	TOLERANCES UNLESS OTHERWISE SPECIFIED: 0 PLC ± 0.40 1 PLC ± 0.30 2 PLC ± 0.20 3 PLC ± 0.10 4 PLC ± - ANGLES ± 3.0°	DWN F. YANG 10JAN2010 CHK S. CHIEN 10JAN2010 APVD W. KODAMA 10JAN2010	TE Connectivity NAME UBS CONNECTOR, PLUG, R/A, SMT TYPE
MATERIAL SEE NOTE	FINISH SEE NOTE	PRODUCT SPEC 108-57306 APPLICATION SPEC 501-57337 WEIGHT --	
CUSTOMER DRAWING		SIZE A3	CAGE CODE 00779
		DRAWING NO. 1734028	RESTRICTED TO
		SCALE	SHEET 1 OF 3 REV E

4

3

2

1

THIS DRAWING IS UNPUBLISHED. RELEASED FOR PUBLICATION  
 © COPYRIGHT 2010 BY TYCO ELECTRONICS CORPORATION. ALL RIGHTS RESERVED.

LOC	DIST	REVISIONS					
DW		P	LTR	DESCRIPTION	DATE	DWN	APVD
				SEE SHEET 1.			

D  
C  
B  
A

D  
C  
B  
A

6.0 REF

INNER BOX

330

245

227

13.0

230

315

VIEW A

UPPER COVER

EPE FORM

LOWER COVER

TRAY

CARTON

248

345

509

VIEW A

SCALE 4:1

16.5KG	15.5KG	100	32	3200PCS
GROSS WEIGHT	NET WEIGHT	PCS/TARY	PCS/CARTON	QUANTITY

THIS DRAWING IS A CONTROLLED DOCUMENT.		DWN	TE Connectivity		
DIMENSIONS: mm		CHK	NAME		
TOLERANCES UNLESS OTHERWISE SPECIFIED:		APVD	UBS CONNECTOR, PLUG, R/A, SMT TYPE		
0 PLC ± -		PRODUCT SPEC	SIZE	CAGE CODE	DRAWING NO
1 PLC ± 0.3		APPLICATION SPEC	A3	00779	1734028
2 PLC ± 0.2		WEIGHT	RESTRICTED TO		
3 PLC ± 0.15		CUSTOMER DRAWING	SCALE		
4 PLC ± -			SHEET 2 OF 3		
ANGLES ± 3'			REV E		
MATERIAL	FINISH				

1470-19 (1/08)

4

3

2

1

THIS DRAWING IS UNPUBLISHED.

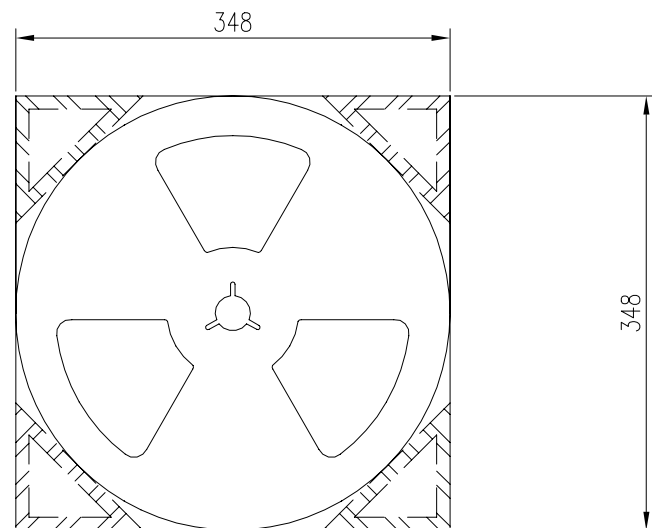
RELEASED FOR PUBLICATION

© COPYRIGHT 2010 BY TYCO ELECTRONICS CORPORATION. ALL RIGHTS RESERVED.

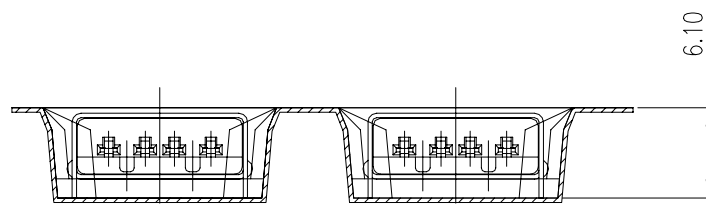
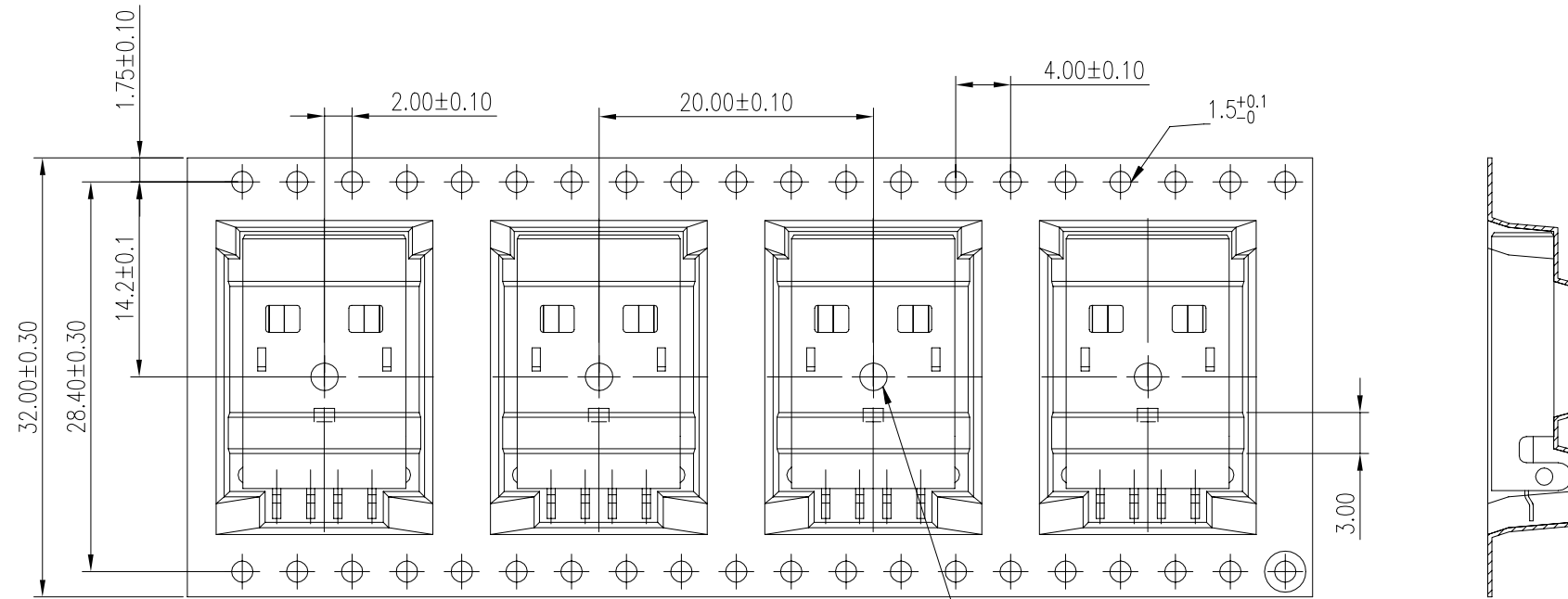
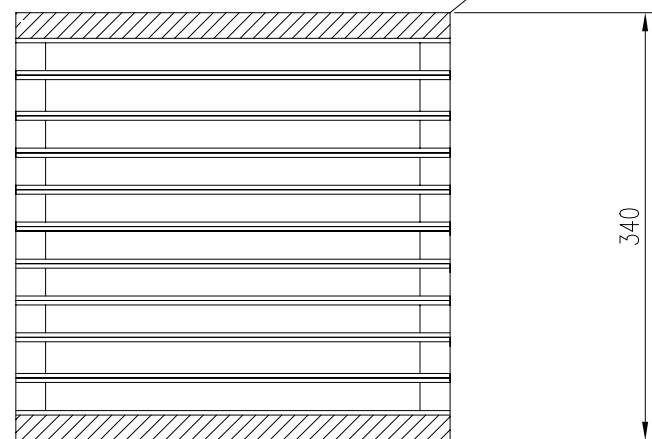
LOC DW DIST

REVISIONS

P	LTR	DESCRIPTION	DATE	DWN	APVD
		SEE SHEET 1			

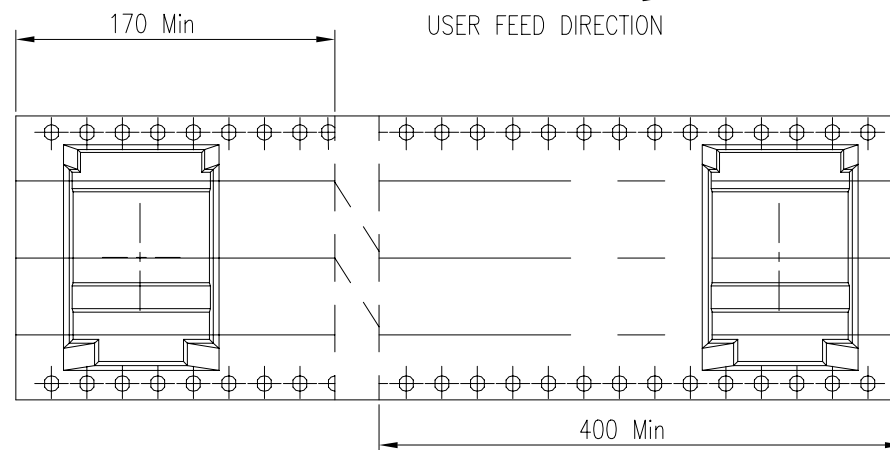
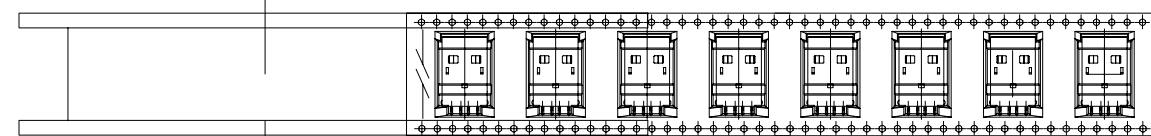


6 SEE NO 2.

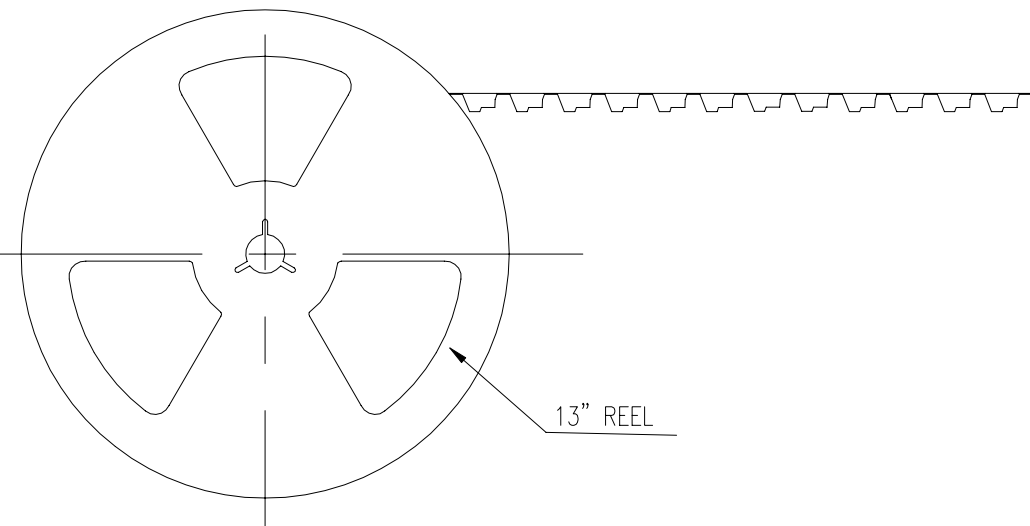


NOTE:

- PACKAGING MATERIAL IN PLASTIC, RUBBER, INK, PIGMENT AND PAINT MUST MEET CONTROLLED SUBSTANCES SPEC :TEC-138-702..  
\* CADMIUM AND CADMIUM COMPOUNDS NOT TO EXCEED: 5 PPM.  
\* LEAD, CADMIUM, CHROM VI AND MERCURY NOT TO EXCEED: 100 PPM (COMBINED).
- CARRIER TAPES, COVER TAPES, REELS AND TAPED COMPONENTS MUST MEET THE REQUIREMENTS DEFINED PER EIA-481-B.
- PACKAGE:500 PCS/REEL,8 REEL/BOX(W.G:13.5Kg,N.G:12.5Kg)
- AFTER UNREELING DIRECTION MUST HAVE 14PCS BLANK.(400mm Min.)
- BEFORE UNREELING DIRECTION MUST HAVE 6PCS BLANK.(170mm Min.)



GROSS WEIGHT	NET WEIGHT	PCS/TAPE	PCS/CARTON	QUANTITY
13.5KG	12.5KG	500	8	4000PCS



THIS DRAWING IS A CONTROLLED DOCUMENT.		DWN F. YANG 10JAN2010	<b>TE</b> TE Connectivity	
		CHK S. CHIEN 10JAN2010		
		APVD W. KODAMA 10JAN2010	NAME	
DIMENSIONS: mm		PRODUCT SPEC	UBS CONNECTOR,PLUG, R/A, SMT TYPE	
TOLERANCES UNLESS OTHERWISE SPECIFIED:		APPLICATION SPEC		
0 PLC ± 0.40		108-57306		
1 PLC ± 0.30		501-57337		
2 PLC ± 0.20		WEIGHT --		
3 PLC ± 0.10		CUSTOMER DRAWING		
4 PLC ± --		SCALE --		
ANGLES ± 3.0°		SHEET 3 of 3		
MATERIAL SEE NOTE		FINISH SEE NOTE	RESTRICTED TO	
			REV E	