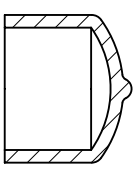
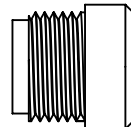
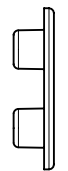
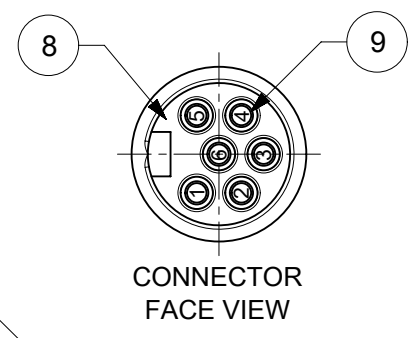
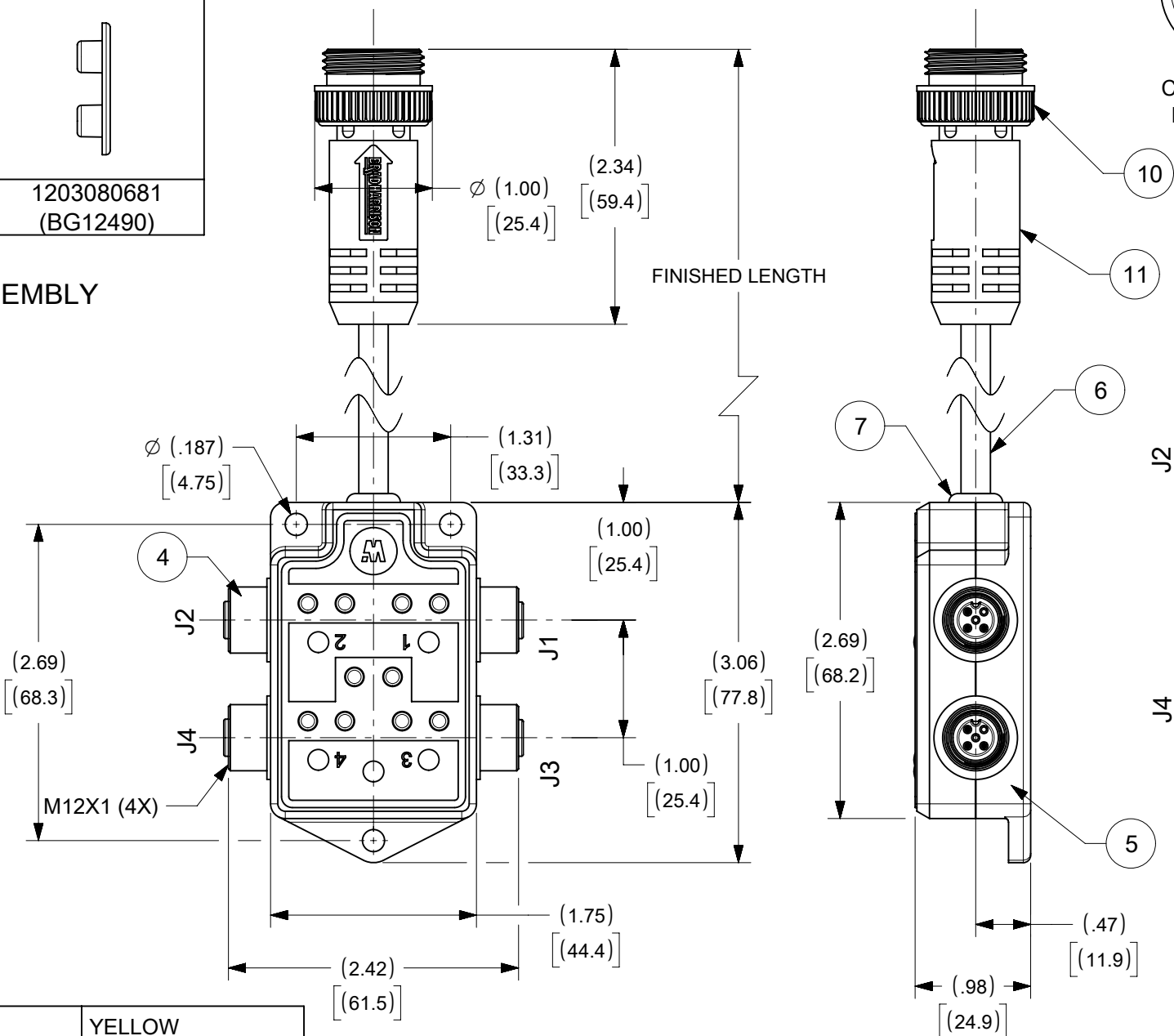
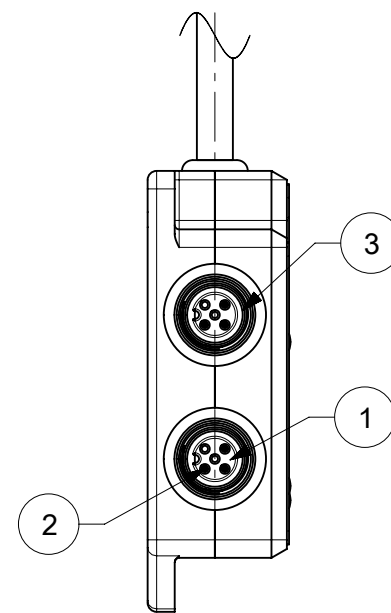


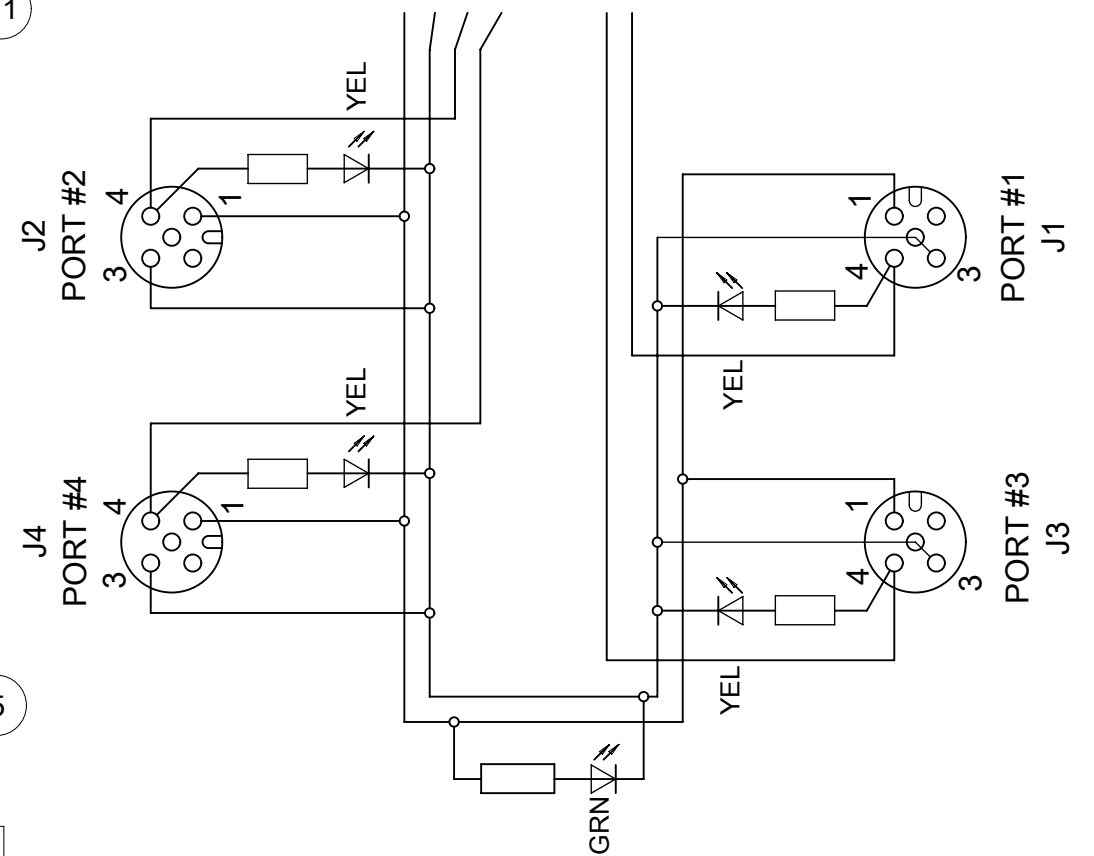
10	9	8
MATERIAL NO.	ENGINEERING NO.	FINISHED LENGTH
1201150047	803P402	12 IN

DUST PROTECTOR	BLANKING PLUG	MPIS ID LABEL
		
1201160026 (70-1710)	1203090067 (BG12103)	1203080681 (BG12490)

PARTS NOTED ABOVE ARE PACKED UNASSEMBLED WITH FINISHED ASSEMBLY



- BROWN (PIN 6) POSITIVE (+)
- BLUE (PIN 3) NEGATIVE (-)
- GREEN (PIN 1) LOAD J2
- GRAY (PIN 4) LOAD J4
- YELLOW (PIN 5) LOAD J3
- WHITE (PIN 2) LOAD J1



WIRING SCHEMATIC

NOTE: KEYWAY ORIENTATION SHOWN IN WIRING SCHEMATIC DOES NOT REFLECT THE ACTUAL KEYWAY ON THE PRODUCT.

11	OVERMOLD	TPE	YELLOW
10	COUPLING NUT	ZINC DIE-CAST	BLACK E-COAT
9	CONTACT PIN	COPPER ALLOY	GOLD PLATED
8	INSERT	TPE	YELLOW
7	GROMMET	NITRILE	BLACK
6	CABLE	PVC JACKET	YELLOW
5	HOUSING, 8 PORT	NYLON	YELLOW
4	RECEPTACLE SHELL	ZINC DIE-CAST	BLACK E-COAT
3	O-RING	NITRILE	RED
2	CONTACT SOCKET	COPPER ALLOY	GOLD PLATED
1	INSERT	NYLON	BLACK
ITEM	DESCRIPTION	MATERIAL	FINISH

CABLE LENGTH TOLERANCES
 <.3M [1FT]: +19mm-0 [+.75in-0]
 .3 - .9M [1 - 3FT]: +44.5mm-0 [+1.75in-0]
 .9 - 1.8M [3 - 6FT]: +55.6mm-0 [+2.19in-0]
 1.8 - 3.7M [6 - 12FT]: +88.9mm-0 [+3.50in-0]
 3.7 - 7.3M [12 - 24FT]: +165.1mm-0 [+6.50in-0]
 7.3-14.6M [24 - 48FT]: +317.5mm-0 [+12.50in-0]
 14.6 - 30.5M [48-100FT]: +622.3mm-0 [+24.50in-0]
 OVER 30M [100FT] +2% OF FINISHED LENGTH

FUNCTIONAL SYMBOLS										THIS DRAWING CONTAINS INFORMATION THAT IS PROPRIETARY TO MOLEX ELECTRONIC TECHNOLOGIES, LLC AND SHOULD NOT BE USED WITHOUT WRITTEN PERMISSION									
DIMENSION UNITS					SCALE					CURRENT REV DESC: DOCUMENT WAS IN AUTOCAD - RECREATED IT IN NX. OVERMOLD AND INSERT WERE PVC. ADDED KEYWAY ORIENTATION NOTE AND LABEL VIEW.					molex				
INCH[MM]					NTS					EC NO: 749311									
GENERAL TOLERANCES (UNLESS SPECIFIED)										DRWN: V BASUTHKARP 2023/05/02									
4 PLACES ±					MM					CHKD: MBRZOZOWSKI 2023/05/12					PRODUCT CUSTOMER DRAWING				
3 PLACES ±					INCH					APPR: BWOODMAN 2023/05/16									
DIVISIONAL SYMBOLS										INITIAL REVISION:					DOCUMENT NUMBER				
2 PLACES ±					1 PLACE ±					DRWN: IRV 1992/02/25					SD-120115-003				
0 PLACES ±					ANGULAR TOL ± °					THIRD ANGLE PROJECTION					DOC TYPE DOC PART REVISION				
DRAFT WHERE APPLICABLE MUST REMAIN WITHIN DIMENSIONS										DRAWING					SHEET NUMBER				
B-SIZE										SERIES					MATERIAL NUMBER				
120115										GENERAL MARKET					CUSTOMER				
SEE TABLE										1 OF 1									