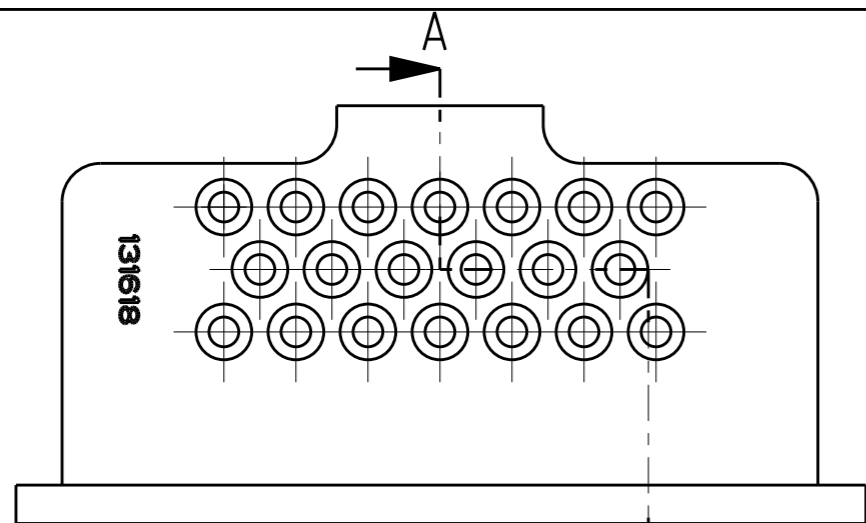


THIS DRAWING IS UNPUBLISHED. RELEASED FOR PUBLICATION 20
© COPYRIGHT 20 BY - ALL RIGHTS RESERVED.

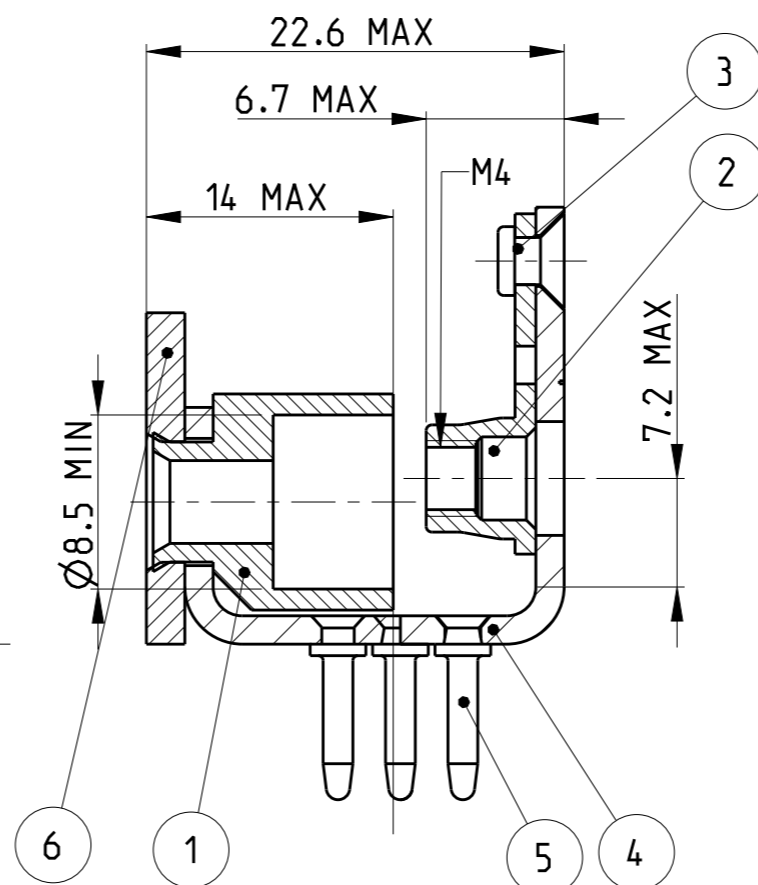
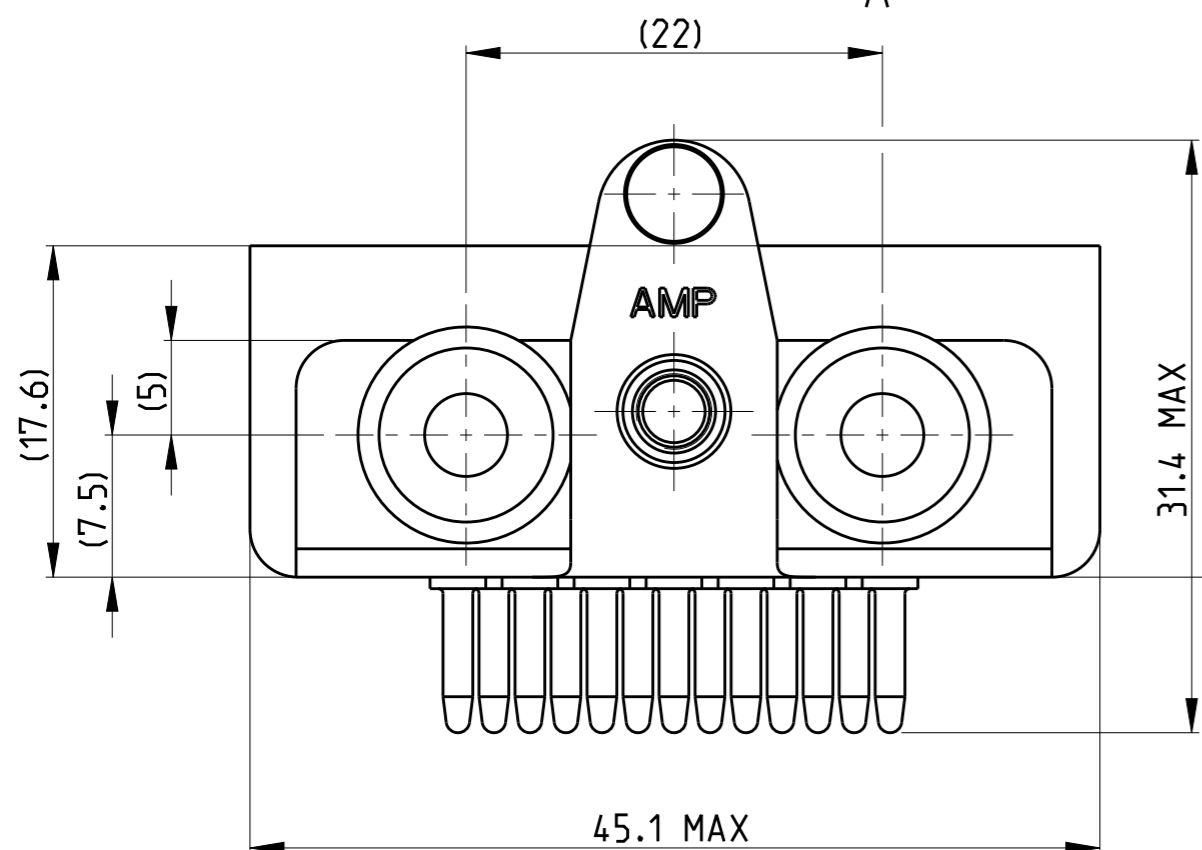
LOC F DIST 00

REVISIONS					
P	LTR	DESCRIPTION	DATE	DWN	APVD
	F	REDRAW CLARIFICATION	18JUN2013	JT	YP



SECTION A-A

- 1 0.8 μm MIN AU OVER NICKEL
- 2 4 μm MIN Sn. OVER Cu UNDERLAYER
- 3 TIN PLATING
- 4 CD PLATED



FINISH	MATERIAL	Qty	PART DESCRIPTION	ITEM NO
-	THERMO PLASTIC	1	INSULATING PLATE	6
1	BRASS	20	PIN	5
2	BRASS	1	BRACKET	4
3	BRASS	1	RIVET	3
4	STEEL	1	RIVETING NUT	2
-	THERMO PLASTIC	2	INSULATING SLEEVE	1

131618
PART NUMBER

THIS DRAWING IS A CONTROLLED DOCUMENT.		DWN T. CORRIOU 15/04/1992	TE Connectivity	
DIMENSIONS: mm		CHK J. THUEZ 11MARS2013		
TOLERANCES UNLESS OTHERWISE SPECIFIED:		APVD Y. PETRONIN 11MARS2013	NAME INSULATED BRACKET GROUNDING ASSY 20POS	
		PRODUCT SPEC -	SIZE A3 CAGE CODE 00779 DRAWING NO C-131618 RESTRICTED TO -	
MATERIAL TABLE		APPLICATION SPEC -	WEIGHT 24.1g	
FINISH TABLE		Customer Drawing	SCALE 5:2	SHEET 1 OF 1 REV F