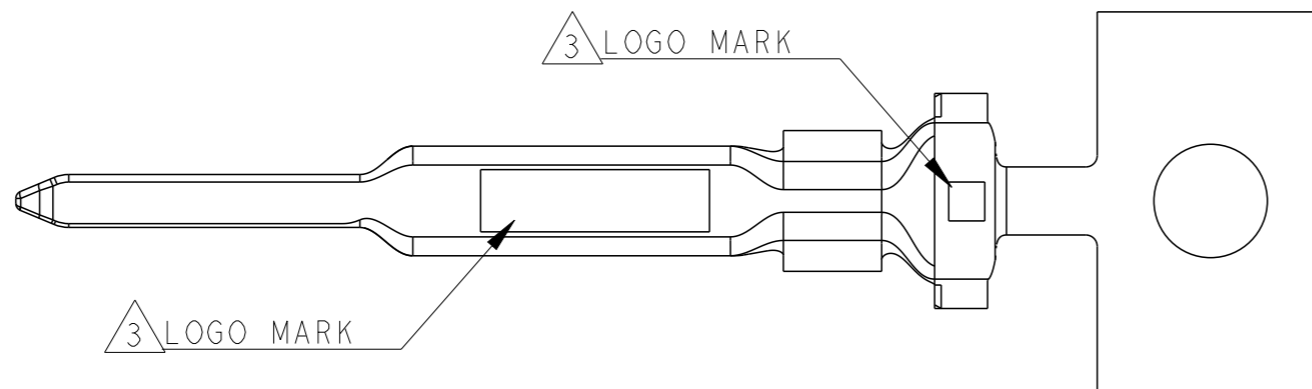
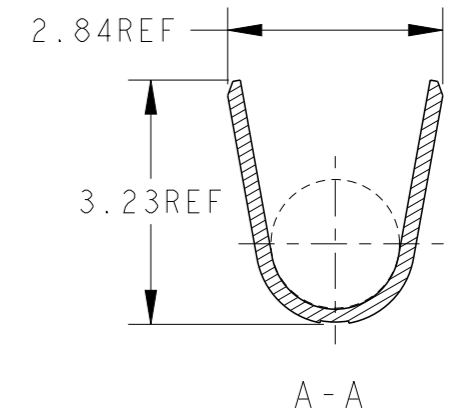
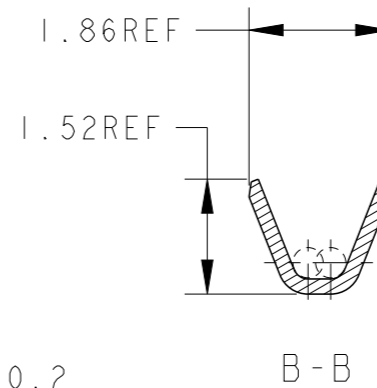
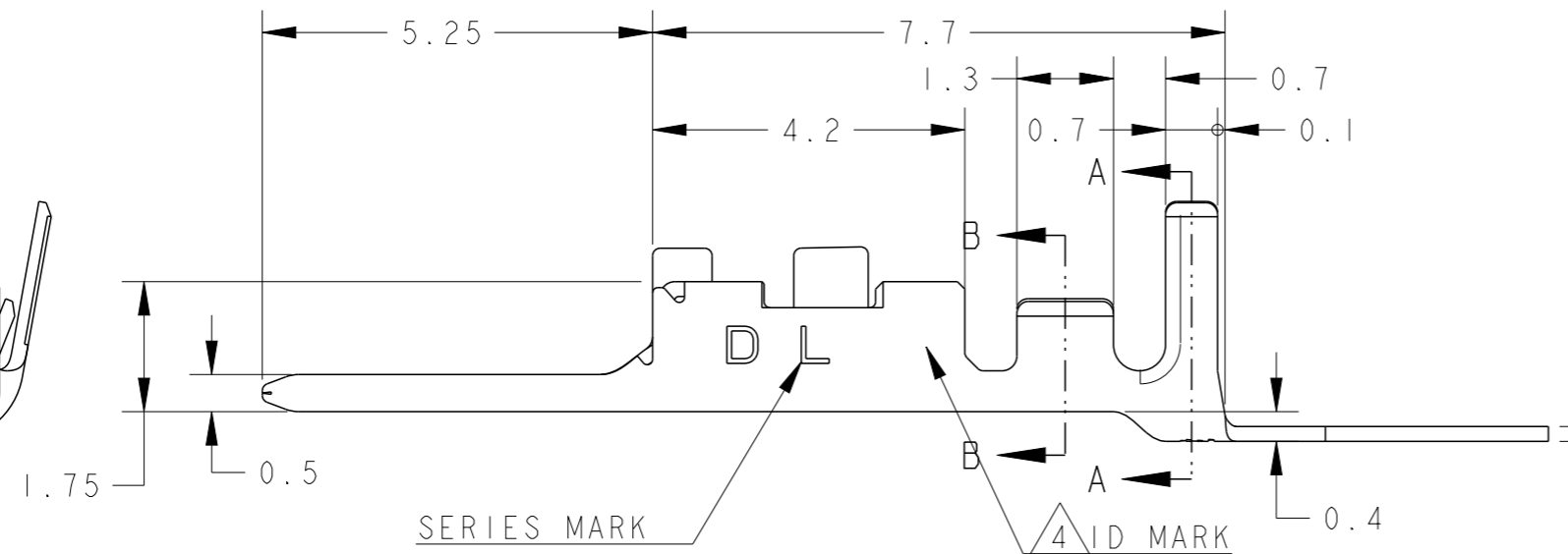
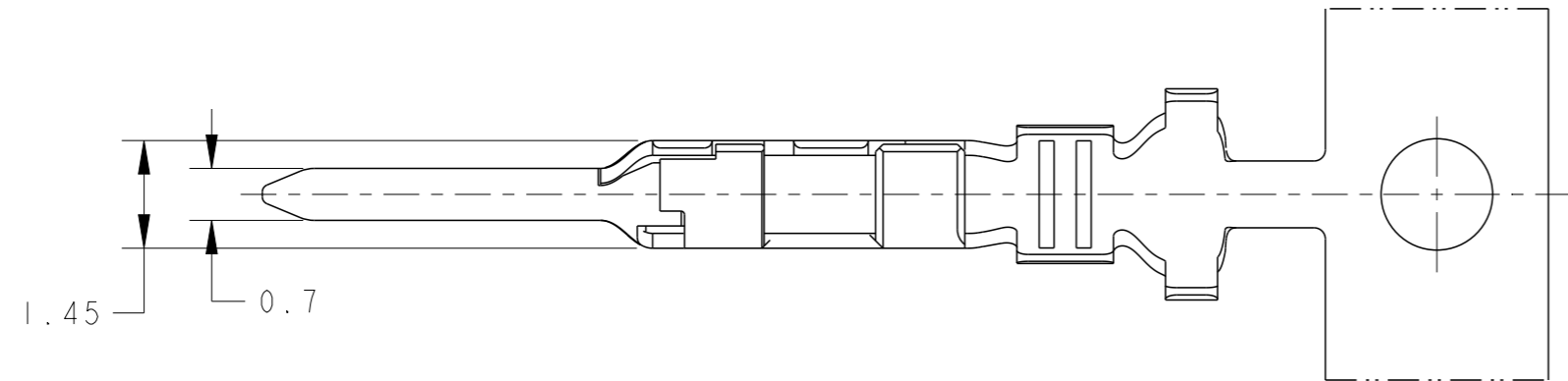


P	LTR	DESCRIPTION	DATE	DWN	APVD
C		REVISED PER ECR-19-016494	24OCT2019	F.Z	R.B
D		REVISED PER ECR-22-142637	16JUN2022	RI	TS

AS SHOWN: 1903113-2



D L 4	MATERIAL: COPPER ALLOY FINISH: CONTACT AREA Au 0.2umMIN, OVER Ni 1.27umMIN	1903117-4
D L	MATERIAL: COPPER ALLOY FINISH: CONTACT AREA Au 0.38umMIN, OVER Ni 1.27umMIN	1903117-2
SERIES MARK	MATERIAL	PART NO

1. APPLICATION TAB-HSG IS APPLIED TO THE PRODUCT OF 2.5mm PITCH OR MORE OF DYNAMIC DI000 SERIES. 2.0mm PITCH CANNOT BE USED.

2. THE SHAPE, SIZE AND POSITION OF THE CHARACTER SHOW THE OUTLINE. THEY DON'T SHOW DETAILS.

3 ALTERNATIVE LOGO MARK FOR DIFFERENT DIE.

4 ALTERNATIVE ID MARK, WITH "■" OR NO MARK.

THIS DRAWING IS A CONTROLLED DOCUMENT.

DIMENSIONS:	TOLERANCES UNLESS OTHERWISE SPECIFIED:
mm	$\pm 0.3, \pm 3^\circ$
	0 PLC \pm
	1 PLC \pm
	2 PLC \pm
	3 PLC \pm
	4 PLC \pm
	ANGLES \pm

MATERIAL SEE TABLE FINISH SEE TABLE

DWN	M. MAEBASHI	11APR2006
CHK	T. KUDO	11APR2006
APVD	D. MITSUGI	11APR2006
PRODUCT SPEC	108-78268	
APPLICATION SPEC	114-5377	
WEIGHT	0.128 g	

WIRE RANGE	AWG#28~#22	INSULATION DIA
mm ²	0.08~0.38	$\phi 1.08 \sim \phi 1.9$



NAME DYNAMIC DI000 SERIES TAB CONTACT Au L-TYPE REEL

SIZE	CAGE CODE	DRAWING NO	RESTRICTED TO
A3	00779	C-1903113	

CUSTOMER DRAWING SCALE 10:1 SHEET 1 OF 1 REV D