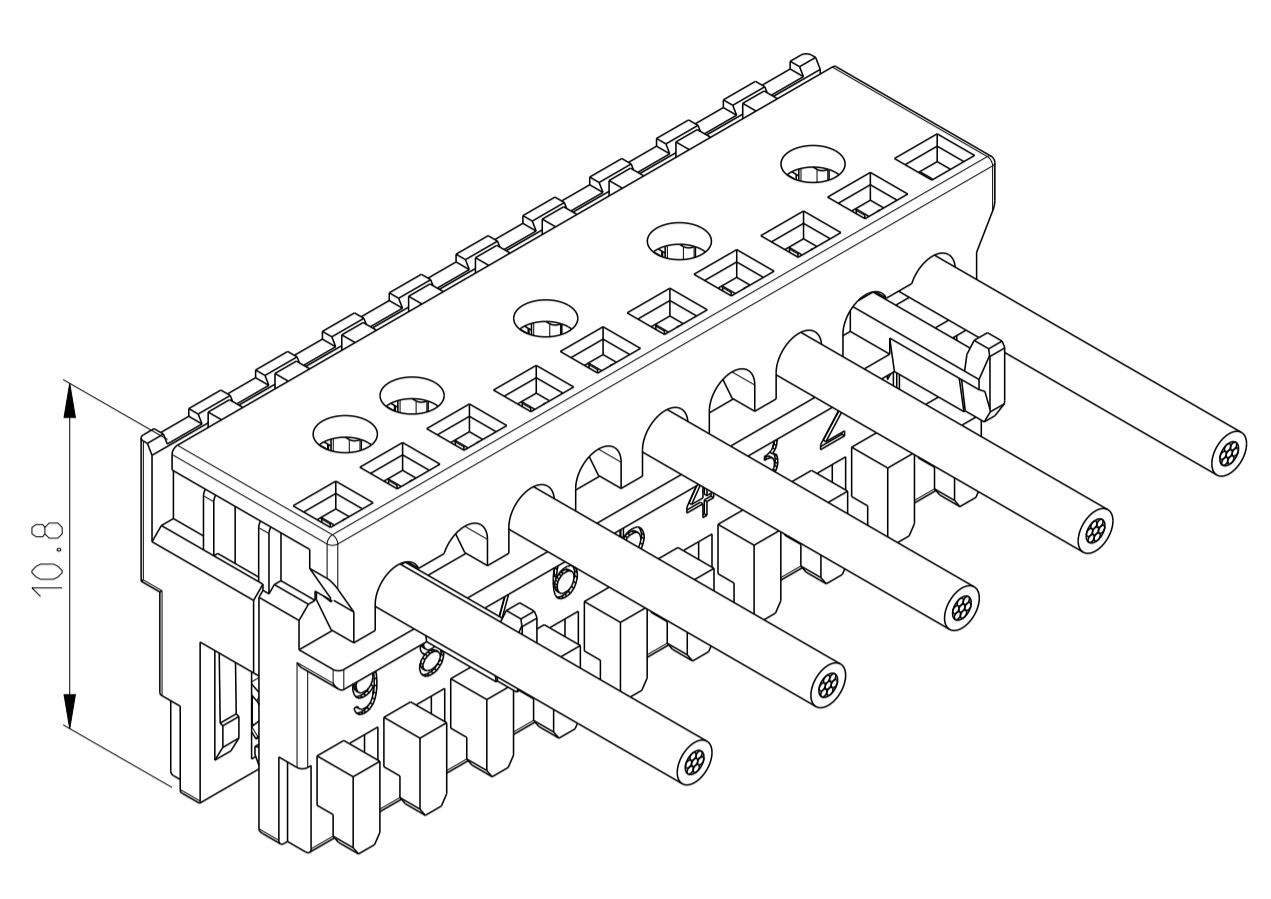
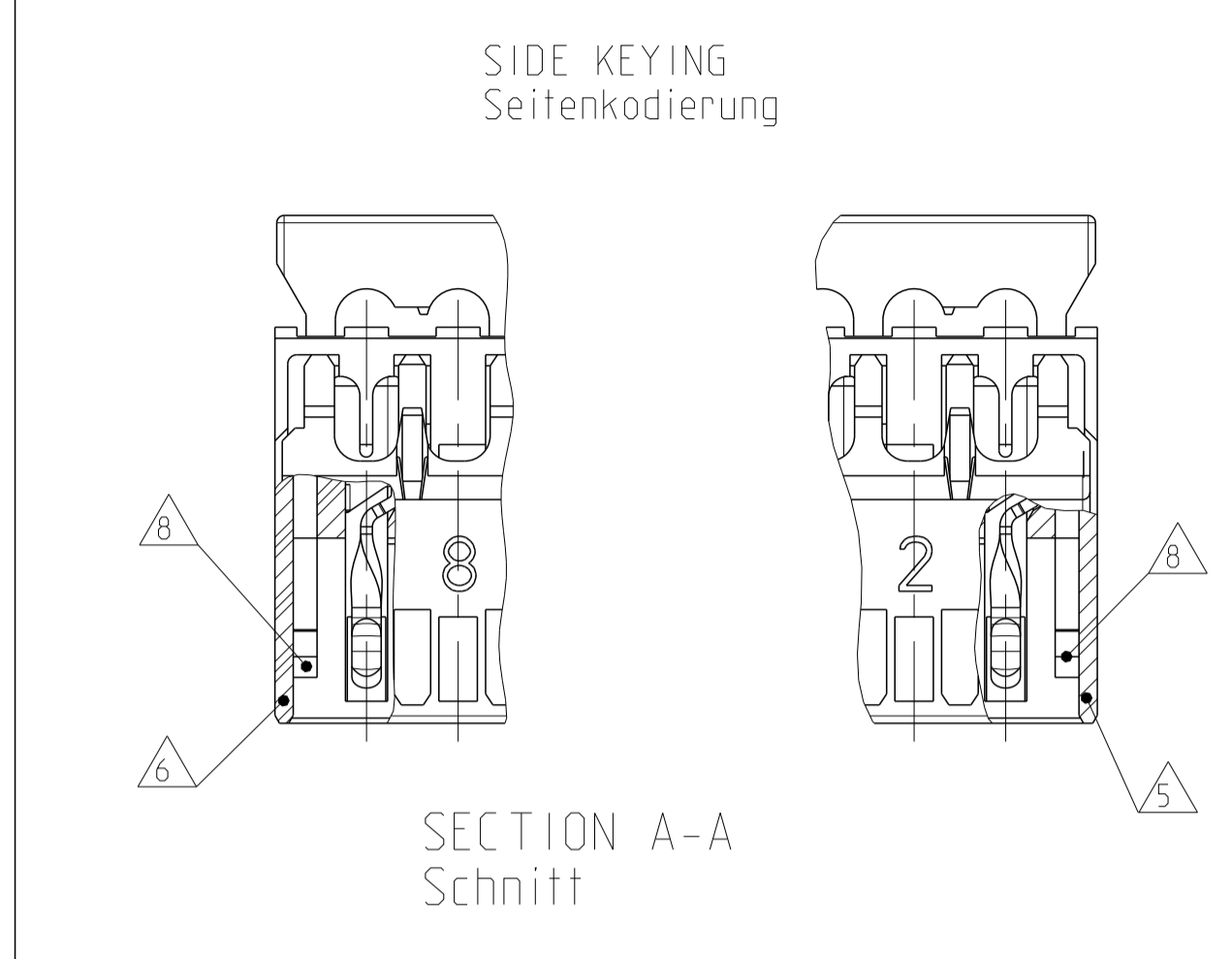
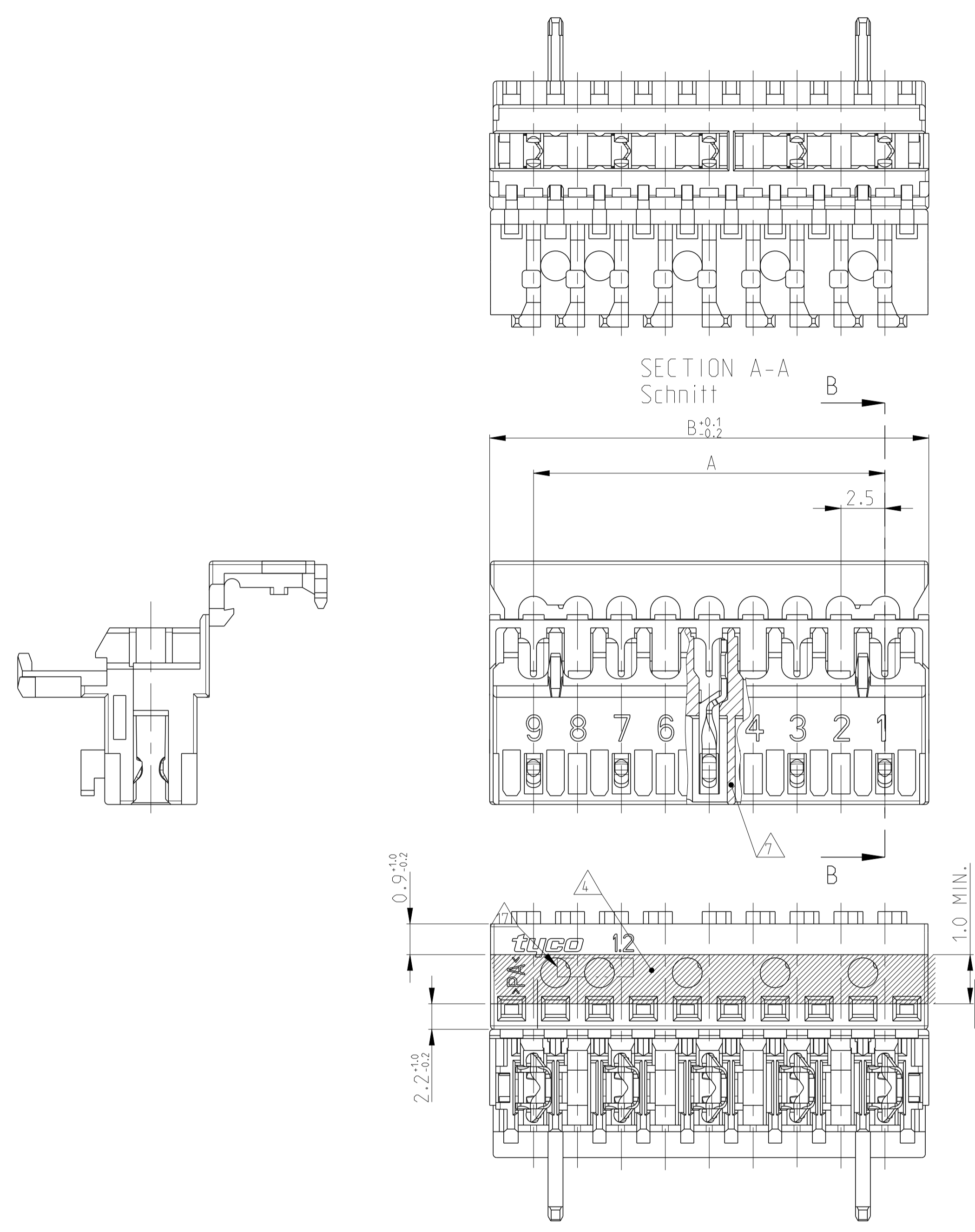


LOC		DIST		REVISIONS			
A1	-	P	LTH	DESCRIPTION	DATE	DWN	APVD
C10	ECR-20-100617				05NOV2020	W W	FL
C11	ECR-21-104617				10JUN2021	KD	FL
C12	ECR-21-112730				14SEP2021	KD	FL
C13	ECR-23-171675				11APR2023	SM	FL



- 18 PRELIMINARY PART - NOT YET RELEASED FOR PRODUCTION
- 17 TE LOGO
- 11-16 SEE SHEET 2  
 Siehe Blatt 2
- X.. CAVITY LOADED WITH CONTACT  
 O.. CAVITY WITHOUT CONTACT  
 X.. Kammer mit Kontakt bestueckt  
 O.. Kammer ohne Kontakt
- 9 IEC 60695-2-11 / IEC 60335-1 GLOW WIRE TEST 750 °C WITHOUT FLAME  
 IEC 60695-2-11 / IEC 60335-1 Gluehdrahttest 750 °C ohne Flamme
- 8 LOCKING HOOK BEFORE CAVITY NO. 1 AND AFTER LAST CAVITY  
 Rasthaken vor Kammernummer Nr. 1 und nach letzter Kammer
- 7 ADDITIONAL KEYING RIB BETWEEN CAVITY NO.  
 Zusätzliche Kodierrippe zwischen Kammer Nr.
- 6 SIDE KEYING, ON LAST CAVITY  
 Seitenkodierung, bei letzter Kammer
- 5 SIDE KEYING, ON CAVITY NO. 1  
 Seitenkodierung, bei Kammer Nr. 1
- 4 COLOR STRIP ON COVER OF HOUSING. NOT THE COLOR OF HOUSING
- 3 MATING PART: PCB ACCORDING TO SHEET 2 OF 2  
 Passender Gegenstecker: Leiterplatten siehe Blatt 2 von 2
- 2 WIRE RANGE: 0.22-0.35mm<sup>2</sup>. SEE APPLICATION SPEC. 114-18467  
 Drahtgroessenbereich: 0.22-0.35mm<sup>2</sup>, siehe Verarbeitungsspec. 114-18467
- 1 KEYING RIBS; CUTTING WITH TERMINATION MACHINE POSSIBLE  
 Kodierrippe; Schneiden auf der Verarbeitungsmaschine moeglich

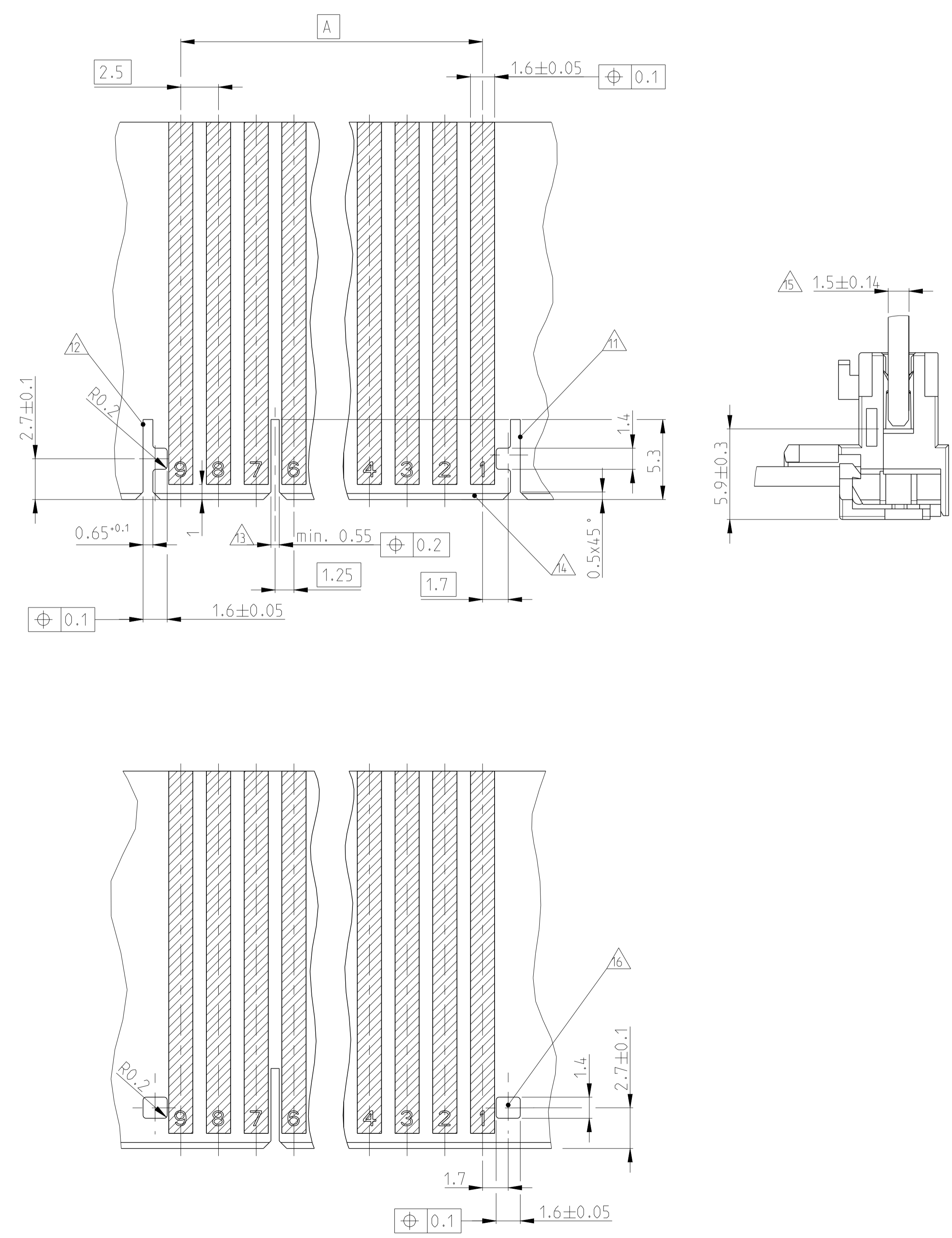
POS. Polzahl	DIM "A"	DIM "B"	KEYING	KEYING	KEYING	LOCKING HOOK	PN Bestell-Nr.													
20	47.5	52.4																		
19	45	49.9																		
18	42.5	47.4																		
17	40	44.9																		
16	37.5	42.4																		
15	35	39.9																		
14	32.5	37.4																		
13	30	34.9																		
12	27.5	32.4																		
11	25	29.9																		
10	22.5	27.4																		
9	20	24.9	2/3	-	-	X	1740918-9 18													
8	17.5	22.4																		
7	15	19.9	3/4	-	-	X	3-1740918-7 18													
			5/6	-	-	X	2-1740918-7 18													
			3/4, 4/5	-	-	X	1-1740918-7 18													
			3/4	X	X	X	1740918-7													
6	12.5	17.4																		
6	12.5	17.4																		
5	10	14.9																		
			1/2	X	X	X	6-1740918-3													
			2/3	X	X	X	5-1740918-3 18													
			2/3	X	X	X	4-1740918-3 18													
			1/2	X	X	X	3-1740918-3 18													
			-	-	-	X	2-1740918-3													
			-	X	-	X	1-1740918-3													
Black																				
Color Code	20	19	18	17	16	15	14	13	12	11	10	9	8	7	6	5	4	3	2	1
4	CAVITY LOADED (kammerbestueckung) 10																			

THIS DRAWING IS A CONTROLLED DOCUMENT.		DWN H. Karabiyik 03.07.2007	CONTACT/Kontakt		CuSn	TINNED/Verzinkt
DIMENSIONS: mm		CHK B. Schnaubelt 03.07.2007	HOUSING/Gehaeuse		PA 6 GF UL94V-2 9	NATURE/natur
TOLERANCES UNLESS OTHERWISE SPECIFIED: 0 PLC ±0.2 1 PLC ±0.2 2 PLC ±0.2 3 PLC ±0.2 4 PLC ±0.2 ANGLES ±° FINISH ±μm		APVD T. Klenner 03.07.2007	DESCRIPTION Beschreibung		MATERIAL	COLOUR/FINISH Farbe/Oberflaeche
MATERIAL SEE TABLE		NAME AMP DUOPLUG 2.5 MKII PRODUCT SPEC 108-18785 APPLICATION SPEC 114-18467	TE Connectivity		RESTRICTED TO	
CUSTOMER DRAWING		SIZE A1	CAGE CODE 00779	DRAWING NO. C=1740918	SCALE 5:1	
		SHEET 1		OF 2		REV C13

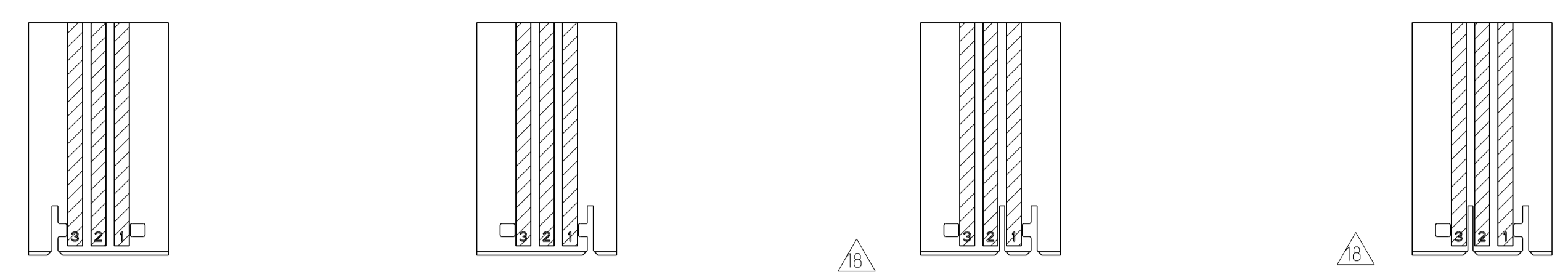
LOC	DIST	REVISIONS					
		P	LTN	DESCRIPTION	DATE	DWN	APVD
A1	-	-	-	SEE SHEET 1	-	-	-

**PCB LAYOUT IN GENERAL**  
**Leiterplattenanschluss allgemein**

**3-20 POSITION**  
**3-20 polig**



3 POSITION  
 3 polig

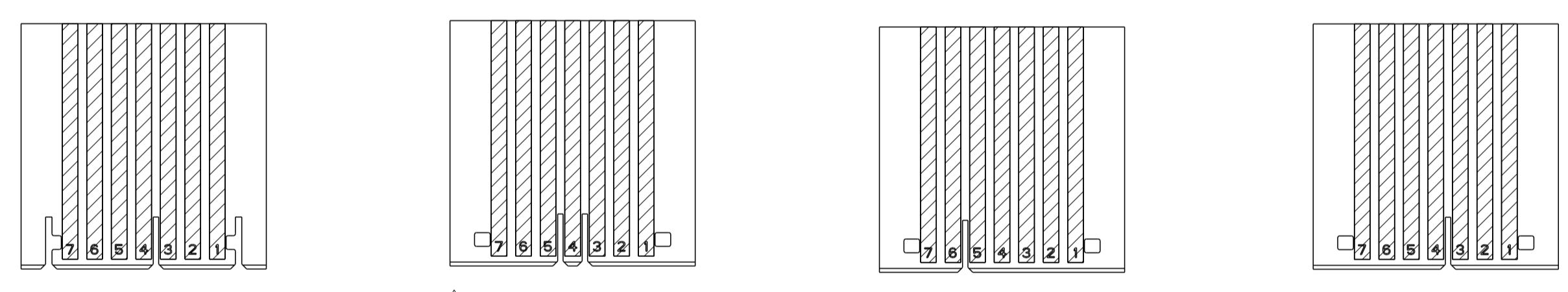


LAYOUT FOR CONNECTOR NO. 1-1740918-3 (WITHOUT PAD 2)  
 LAYOUT FOR CONNECTOR NO. 2-1740918-3 (WITHOUT PAD 2)  
 LAYOUT FOR CONNECTOR NO. 3-1740918-3 (WITHOUT PAD 2)  
 LAYOUT FOR CONNECTOR NO. 4-1740918-3 (WITHOUT PAD 2)



LAYOUT FOR CONNECTOR NO. 5-1740918-3 (WITHOUT PAD 2)  
 6-1740918-3 (WITHOUT PAD 2)

7 POSITION  
 7 polig



LAYOUT FOR CONNECTOR NO. 1740918-7  
 1-1740918-7 (WITHOUT PAD 4)  
 2-1740918-7 (WITHOUT PAD 2, 4)  
 3-1740918-7 (WITHOUT PAD 2, 4, 6)

- △18 WINDOW FOR LOCKING HOOK  
Fenster fuer Rasthaken
- △15 INCLUSIVE COPPER CLADDING, SINGLE OR DOUBLE SIDED  
Inklusive Kupferkaschierung, ein oder doppelseitig
- △14 PCB TO BE PREFERABLY CHAMFERED  
Leiterplatte vorzugsweise angefasst
- △13 SLOT FOR ADDITIONAL KEYING RIB BETWEEN CAVITY NO.  
Schlitz fuer zusaetzliche Kodierrippe zwischen Kammer Nr.
- △12 SLOT FOR SIDE KEYING, ON LAST CAVITY  
Schlitz fuer Seitenkodierung, bei letzter Kammer
- △11 SLOT FOR SIDE KEYING, ON CAVITY NO. 1  
Schlitz fuer Seitenkodierung, bei Kammer Nr. 1

△1 - △10 SEE SHEET 1  
 Siehe Blatt 1

THIS DRAWING IS A CONTROLLED DOCUMENT.		DWN H. Karabiyik 03.07.2007	TE Connectivity NAME AMP DUOPLUG 2.5 MKII FEMALE CONNECTOR 3-20 POSITION WITH PCB LOCKING - SELECTIVE LOADED
DIMENSIONS: mm		CHK B. Schnaubelt 03.07.2007	
TOLERANCES UNLESS OTHERWISE SPECIFIED:		APVD T. Klenner 03.07.2007	PRODUCT SPEC 108-18785
MATERIAL		FINISH	APPLICATION SPEC 114-18467
WEIGHT		SCALE	RESTRICTED TO
CUSTOMER DRAWING		SIZE A1	WEIGHT CAGE CODE DRAWING NO. 114-18467 00779 C=1740918
SCALE		SHEET	REV
5:1		2 OF 2	13