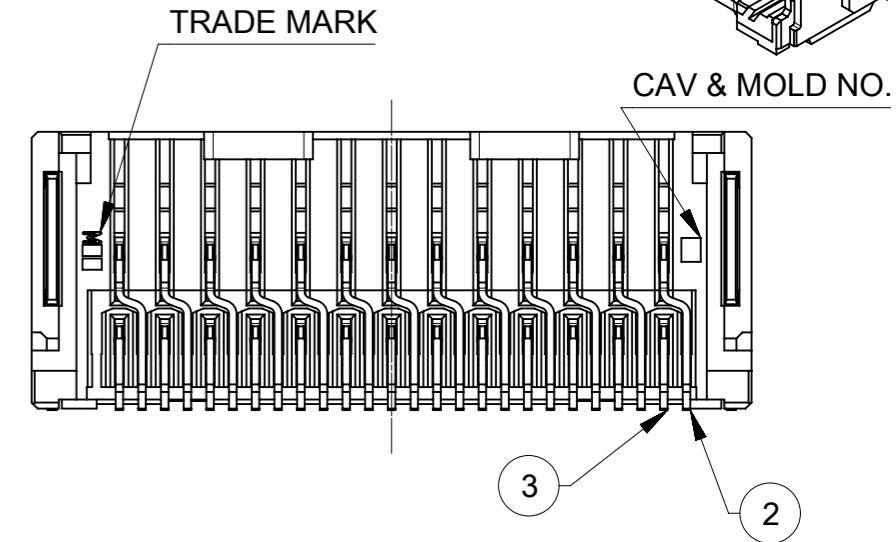
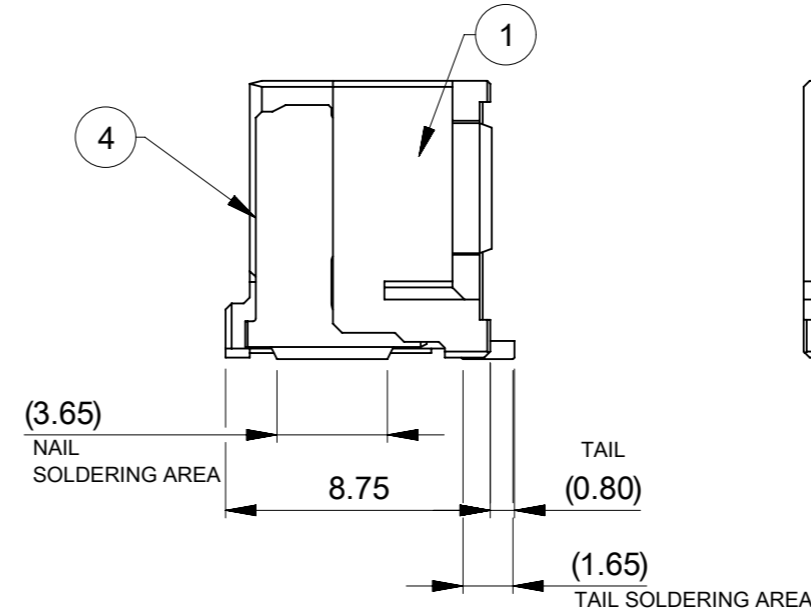
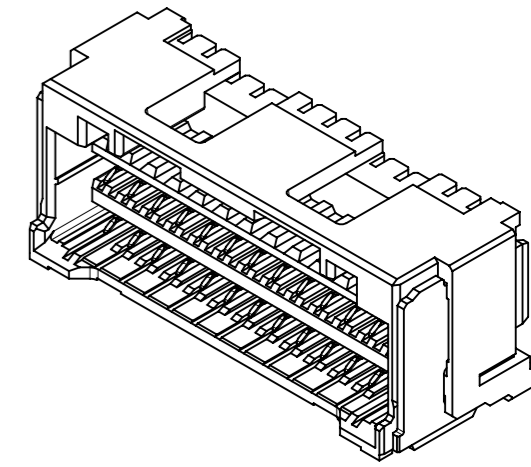


NOTE

- 端子テール部およびネイルの平坦度: 0.1mm MAX
TAIL AND NAIL COPLANARITY TO BE 0.1mm MAX
- (極数/2) = 偶数 に適用
APPLY FOR (CIRCUIT SIZE/2) = EVEN
- △ 関連製品・書類はSHEET 5を参照ください
REFER TO SHEET 5 ABOUT RELATED PRODUCTS AND DOCUMENTS



△ 4. オーダー番号(製品番号): SHEET 6の製品一覧を参照のこと
ORDER No. (PRODUCT No.) : REFER TO SHEET 6 FOR PRODUCT LIST.

213228 * * * *

↑ シリーズ番号 SERIES NO
↑ 極数 CIRCUIT SIZE
↑ 色 COLOR
↑ 金めっき厚 GOLD PLATING THICKNESS

| CIRCUIT | No. | GOLD THK[μm] | No. | COLOR |
|---------|-----|--------------|-----|---------------|
| 08 ~ 26 | 1 | 0.1 | 0 | ナチュラル NATURAL |
| | 3 | 0.38 | 1 | 黒 BLACK |
| | 7 | 0.76 | | |

| | | | | |
|------|-------|------|------|---------------|
| 22.0 | ±0.25 | 18.0 | 23.8 | 26 |
| 20.5 | | 16.5 | 22.3 | 24 |
| 19.0 | | 15.0 | 20.8 | 22 |
| 17.5 | | 13.5 | 19.3 | 20 |
| 16.0 | | 12.0 | 17.8 | 18 |
| 14.5 | | 10.5 | 16.3 | 16 |
| 13.0 | | 9.0 | 14.8 | 14 |
| 11.5 | 7.5 | 13.3 | 12 | |
| 10.0 | 6.0 | 11.8 | 10 | |
| 8.5 | ±0.2 | 4.5 | 10.3 | 8 |
| C | | B | A | 極数 CKT.NO. |

| 番号 NO. | 部品 PART | 材質 MATERIAL | |
|--------|--|--|---|
| ① | ハウジング HOUSING | ポリアミド(PA) UL94V-0 色 : SEE CHART POLYAMIDE(PA) UL94V-0 COLOR : SEE CHART | |
| ② | ターミナル TERMINAL | 銅合金 COPPER ALLOY | |
| | | コンタクト部 CONTACT AREA | 金めっき : 製品一覧参照 GOLD PLATING : SEE PRODUCT LIST |
| | | テール部 TAIL AREA | 無光沢錫めっき : 1.0 micro-meter MIN MATTE TIN PLATING: 1.0 micro-meter MIN |
| ③ | 下地めっき(全面) UNDER PLATING (WHOLE SURFACE) | ニッケルめっき : 2.0 micro-meters MIN NICKEL PLATING : 2.0 micro-meters MIN | |
| | | 黄銅 BRASS | |
| ④ | ネイル NAIL | 無光沢錫めっき : 1.0 micro-meter MIN MATTE TIN PLATING | |
| | | ニッケルめっき(下地) : 1.0 micro-meter MIN NICKEL PLATING(UNDER PLATING) | |

DOCUMENT STATUS P1 RELEASE DATE 2021/10/05 08:21:54

THIS DRAWING CONTAINS INFORMATION THAT IS PROPRIETARY TO MOLEX ELECTRONIC TECHNOLOGIES, LLC AND SHOULD NOT BE USED WITHOUT WRITTEN PERMISSION

DIMENSION UNITS: mm SCALE: NTS

GENERAL TOLERANCES (UNLESS SPECIFIED):

ANGULAR TOL ± 3.0°

4 PLACES ± 0.2
3 PLACES ± 0.2
2 PLACES ± 0.2
1 PLACE ± 0.2
0 PLACES ± 0.2

EC NO: 680153
DRWN: MIKEDA01 2021/10/05
CHK'D: SAKIYAMA 2021/10/05
APPR: KOMURAKAMI 2021/10/05

INITIAL REVISION:
DRWN: MIKEDA01 2019/10/01
APPR: KOMURAKAMI 2019/11/20

THIRD ANGLE PROJECTION

DRAFT WHERE APPLICABLE MUST REMAIN WITHIN DIMENSIONS

DRAWING: A3-SIZE
SERIES: 213228
MATERIAL NUMBER: SEE CHART
CUSTOMER: GENERAL

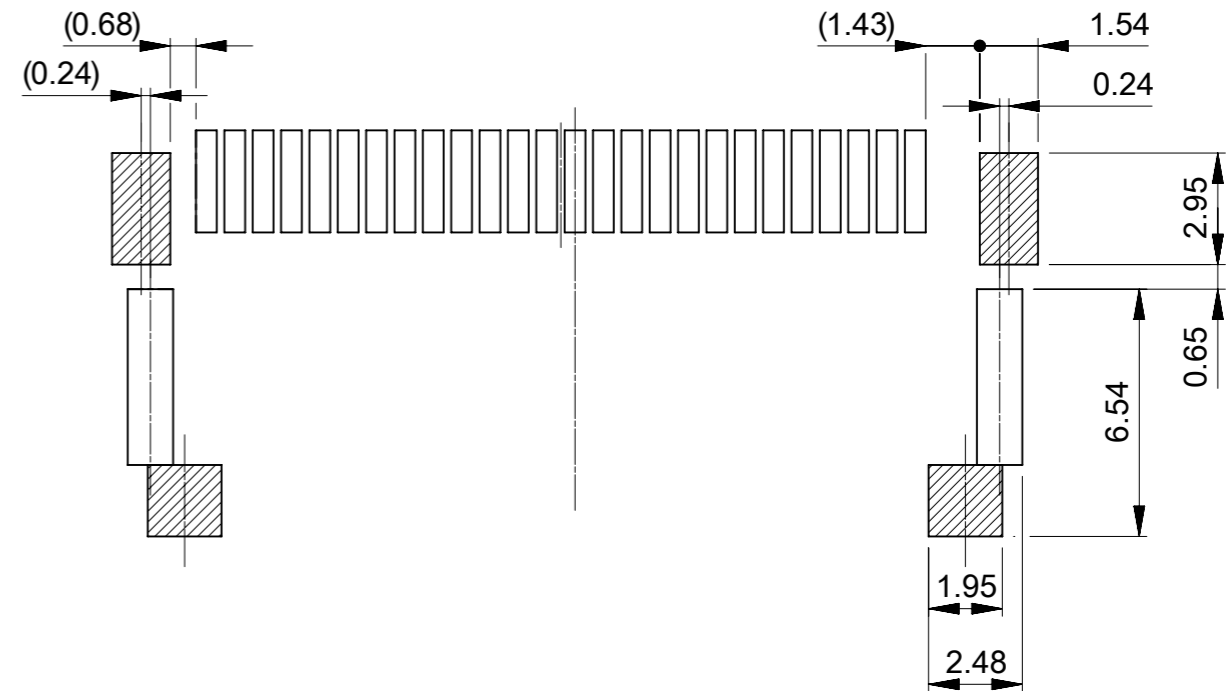
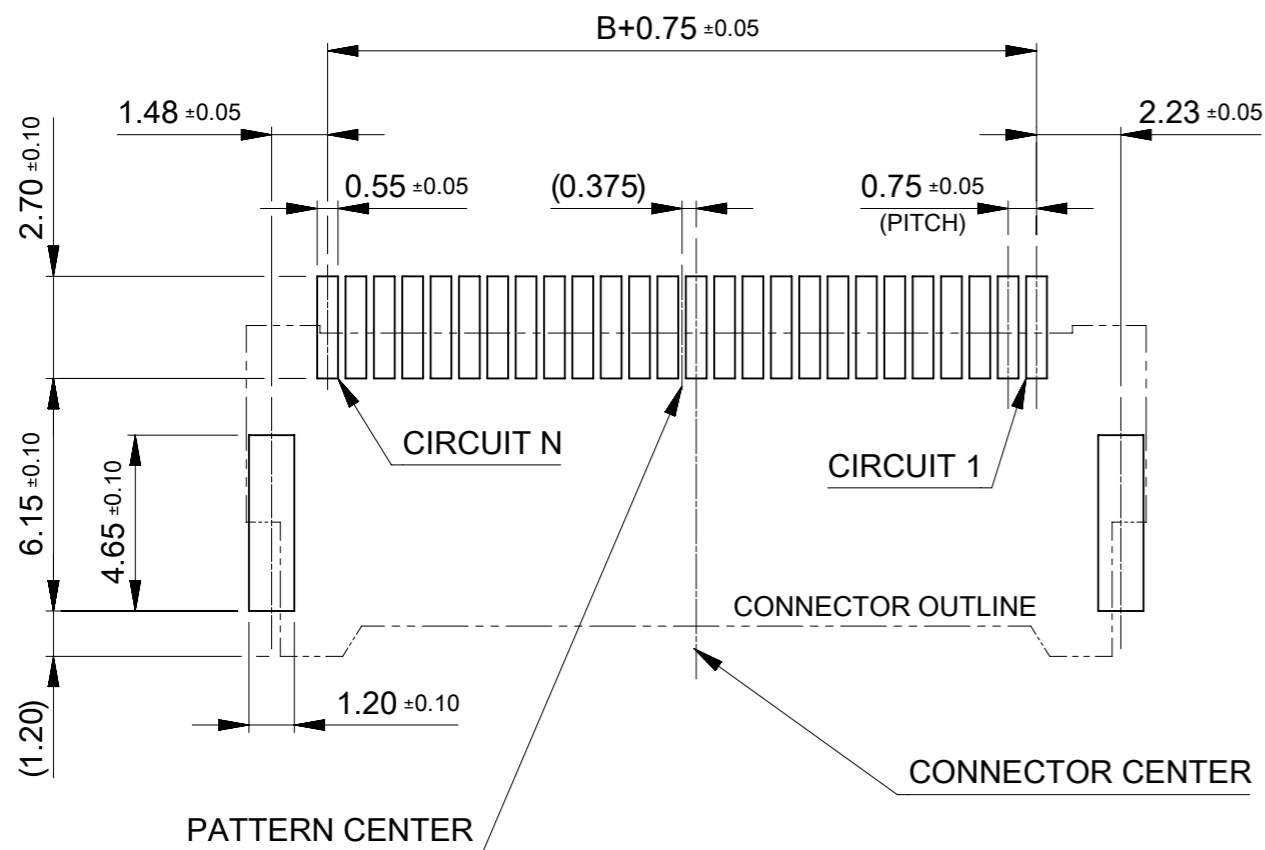
DOCUMENT NUMBER: 2132280000-SD
DOC TYPE: PSD
DOC PART: 000
REVISION: F

SHEET NUMBER: 1 OF 6

molex

CLIK-MATE 1.5
DUAL ROW SMT R/A TYPE GOLD PLATING

PRODUCT CUSTOMER DRAWING



基板パターンレイアウト(参考)
RECCOMENDED PCB PATTERN LAYOUT (REF)

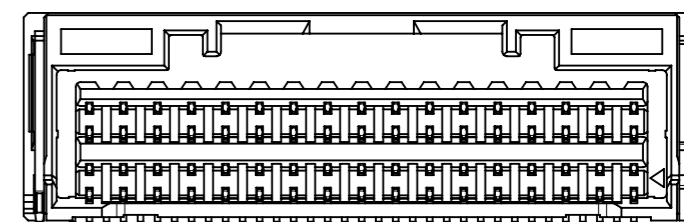
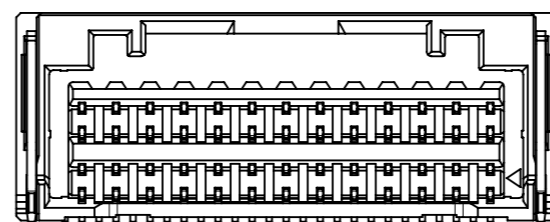
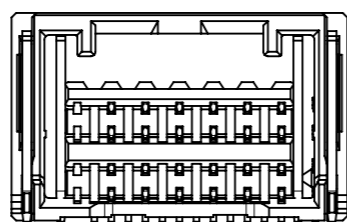
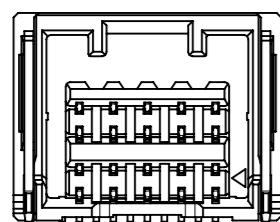
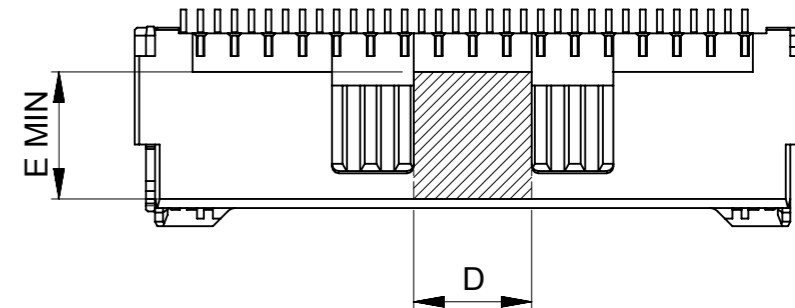
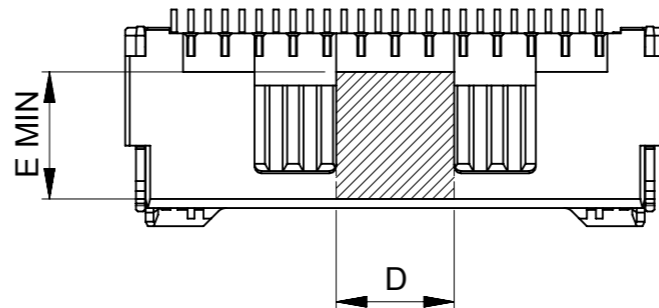
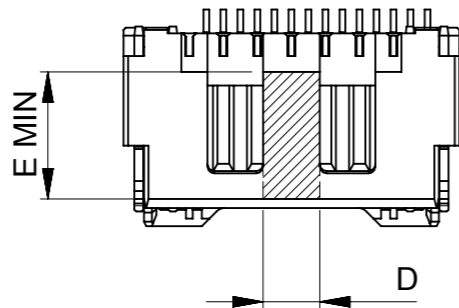
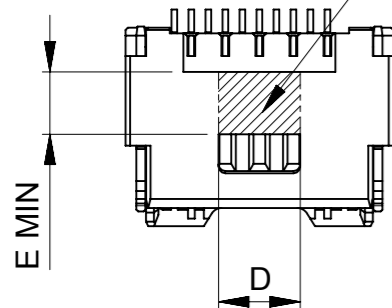
(参考 : メタルマスク厚さ 0.10mm, マスク開口率100%)
(REFERENCE: METAL MASK THICKNESS 0.10MM, APERTURE RATIO 100%)

パターン非推奨エリア

パターンを引き回す際は、製品機能に影響がないことをご確認ください。
PATTERN IS NOT RECCOMENDED ON THE HATCHED AREA.
PLEASE CHECK NOT TO HAVE PROBLEM FOR PRODUCT FUNCTION
WHEN SETTING PATTERN ON THE HATCHED AREA.

| | | | | | | | | | | | | | | | |
|---|--|------------------------|--|---------------------------|--|---------------|--|--------------------------|--|---|--|--------------|--|----------|--|
| THIS DRAWING CONTAINS INFORMATION THAT IS PROPRIETARY TO MOLEX ELECTRONIC TECHNOLOGIES, LLC AND SHOULD NOT BE USED WITHOUT WRITTEN PERMISSION | | | | | | | | | | | | | | | |
| DIMENSION UNITS | | SCALE | | CURRENT REV DESC: REVISED | | | | molex | | CLIK-MATE 1.5 DUAL ROW SMT R/A TYPE GOLD PLATING | | | | | |
| mm | | NTS | | | | | | | | | | | | | |
| GENERAL TOLERANCES (UNLESS SPECIFIED) | | | | | | | | | | | | | | | |
| ANGULAR TOL ± 3.0 ° | | | | | | | | | | | | | | | |
| 4 PLACES | | ± 0.2 | | EC NO: 680153 | | 2021/10/05 | | PRODUCT CUSTOMER DRAWING | | | | | | | |
| 3 PLACES | | ± 0.2 | | DRWN: MIKEDA01 | | 2021/10/05 | | | | | | | | | |
| 2 PLACES | | ± 0.2 | | CHK'D: SAKIYAMA | | 2021/10/05 | | | | | | | | | |
| 1 PLACE | | ± 0.2 | | APPR: KOMURAKAMI | | 2021/10/05 | | DOCUMENT NUMBER | | DOC TYPE | | DOC PART | | REVISION | |
| 0 PLACES | | ± 0.2 | | INITIAL REVISION: | | 2019/10/01 | | | | | | | | | |
| DRAFT WHERE APPLICABLE MUST REMAIN WITHIN DIMENSIONS | | THIRD ANGLE PROJECTION | | DRAWING | | SERIES | | MATERIAL NUMBER | | CUSTOMER | | SHEET NUMBER | | | |
| | | A3-SIZE | | 213228 | | 2132280000-SD | | PSD | | 000 | | F | | | |

VACUUM AREA (HATCHED)



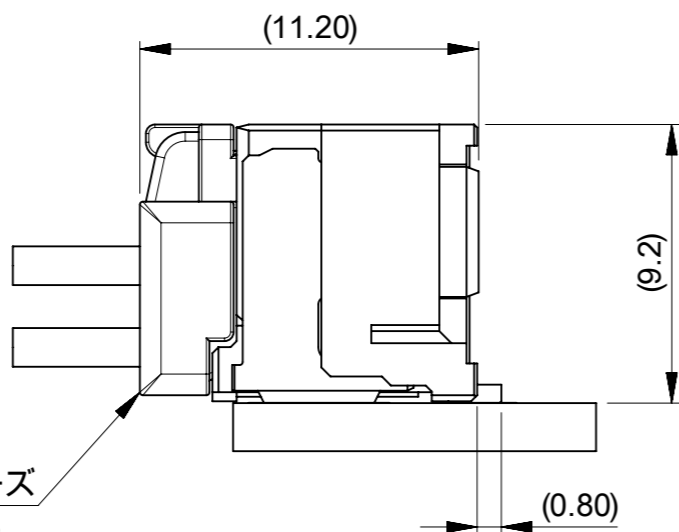
8-10極
8-10 CKT

12-18極
12-18 CKT

20-28極
20-28 CKT

30-34極
30-34 CKT

極数別ハウジング形状および吸着エリア
HOUSING SHAPE AND VACUUM AREA AT EACH CKTS



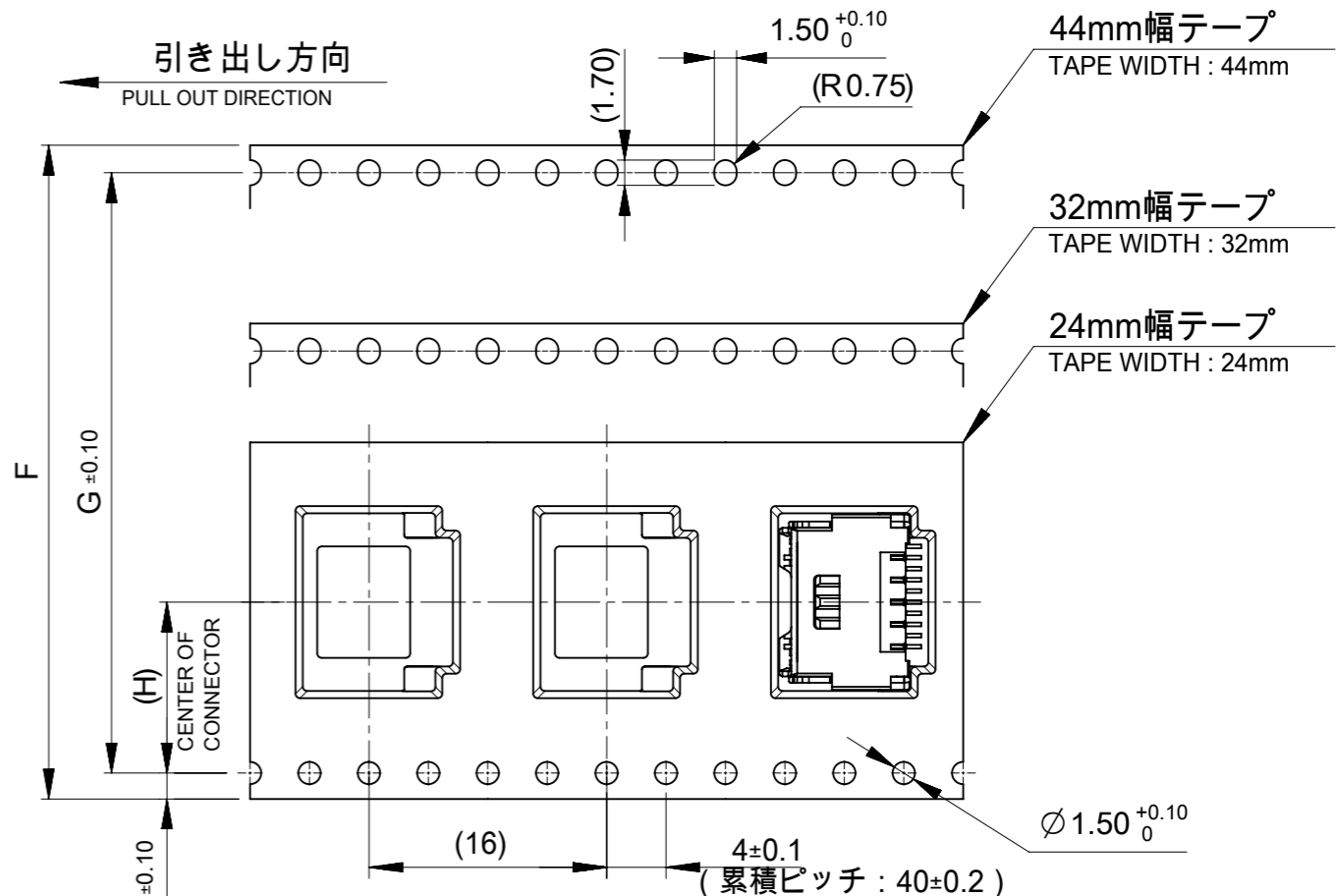
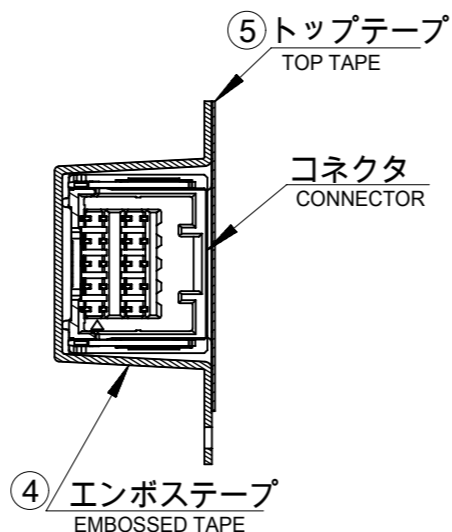
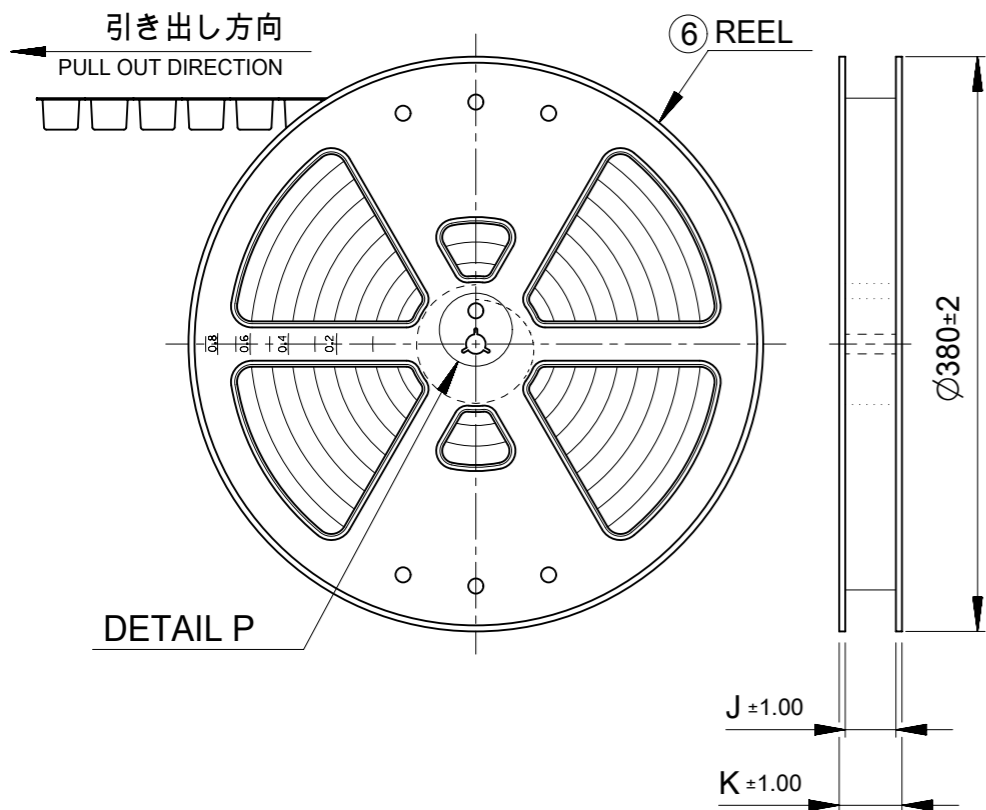
嵌合相手：503149シリーズ
MATE WITH: 503149 SERIES

嵌合図
MATED CONNECTORS

| | | |
|------|-----|--------|
| 5.6 | 5.2 | 26 |
| | | 24 |
| 4.2 | 4.2 | 22 |
| | 3.2 | 20 |
| | | 18 |
| 2.5 | 2.5 | 16 |
| | | 14 |
| 2.3 | 2.3 | 12 |
| | | 10 |
| 2.75 | 3.6 | 8 |
| | | |
| E | D | CKT NO |

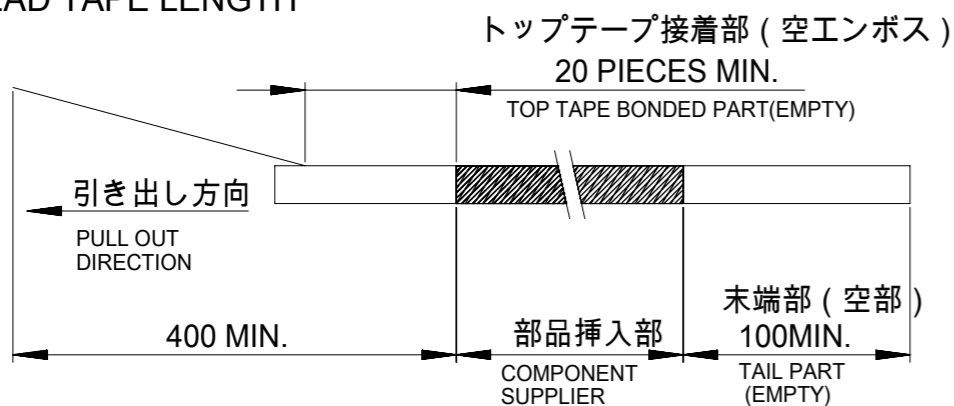
THIS DRAWING CONTAINS INFORMATION THAT IS PROPRIETARY TO MOLEX ELECTRONIC TECHNOLOGIES, LLC AND SHOULD NOT BE USED WITHOUT WRITTEN PERMISSION

| | | | | | | |
|--|---------|---------------------------|------------|---|-----------------|----------|
| DIMENSION UNITS | SCALE | CURRENT REV DESC: REVISED | | molex | | |
| mm | NTS | | | | | |
| GENERAL TOLERANCES (UNLESS SPECIFIED) | | EC NO: 680153 | | CLIK-MATE 1.5 DUAL ROW SMT R/A TYPE GOLD PLATING | | |
| ANGULAR TOL | ± 3.0 ° | DRWN: MIKEDA01 | 2021/10/05 | PRODUCT CUSTOMER DRAWING | | |
| 4 PLACES | ± 0.2 | CHK'D: SAKIYAMA | 2021/10/05 | DOCUMENT NUMBER | | |
| 3 PLACES | ± 0.2 | APPR: KOMURAKAMI | 2021/10/05 | 2132280000-SD | | DOC TYPE |
| 2 PLACES | ± 0.2 | INITIAL REVISION: | | DOC PART | 000 | REVISION |
| 1 PLACE | ± 0.2 | DRWN: MIKEDA01 | 2019/10/01 | F | | |
| 0 PLACES | ± 0.2 | APPR: KOMURAKAMI | 2019/11/20 | SHEET NUMBER | | |
| DRAFT WHERE APPLICABLE MUST REMAIN WITHIN DIMENSIONS | | THIRD ANGLE PROJECTION | DRAWING | SERIES | MATERIAL NUMBER | CUSTOMER |
| | | | A3-SIZE | 213228 | SEE CHART | GENERAL |

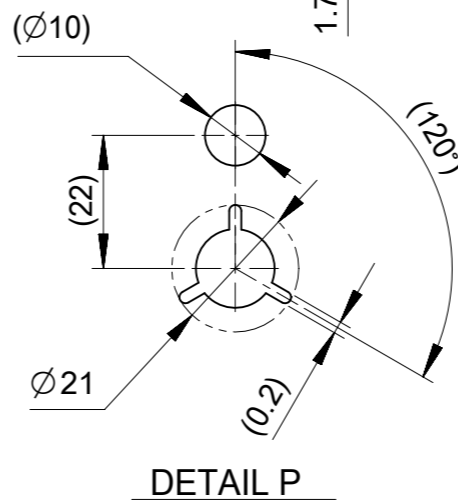


NOTE

- 5. 梱包数量 : 550個 / リール
NUMBER OF CONNECTORS : 550 PIECES/REEL
- 6. リードテープ長さ
LEAD TAPE LENGTH



- 7. トップテープの剥離強度はJIS C0806-3 準拠
TOP TAPE PEELING OFF FORCE IS DIFINED BY JIS C0806-3.
- 8. 本製品は乾燥剤入り、ハイバリア梱包である。
THIS PRODUCT IS DELIVERED IN HIGH BARRIER PACKAGE WITH DESICCANT.



| | | | | | |
|------|------|------|------|------------------------------------|---------|
| 49.4 | 45.4 | 20.2 | 40.4 | 44±0.3 | 26 |
| | | | | | 24 |
| | | | | | 22 |
| | | | | | 20 |
| | | | | | 18 |
| | | | | | 16 |
| | | | | | 14 |
| | | | | | 12 |
| | | | | 24 ^{+0.3} _{-0.1} | 10 |
| | | | | | 8 |
| K | J | H | G | エンボステープ幅F WIDTH OF TAPE | CKT NO. |

THIS DRAWING CONTAINS INFORMATION THAT IS PROPRIETARY TO MOLEX ELECTRONIC TECHNOLOGIES, LLC AND SHOULD NOT BE USED WITHOUT WRITTEN PERMISSION

| | | | |
|--|--------|---------------------------|------------|
| DIMENSION UNITS | SCALE | CURRENT REV DESC: REVISED | |
| mm | NTS | | |
| GENERAL TOLERANCES (UNLESS SPECIFIED) | | | |
| ANGULAR TOL | ± 3.0° | | |
| 4 PLACES | ± 0.2 | EC NO: 680153 | |
| 3 PLACES | ± 0.2 | DRWN: MIKEDA01 | 2021/10/05 |
| 2 PLACES | ± 0.2 | CHK'D: SAKIYAMA | 2021/10/05 |
| 1 PLACE | ± 0.2 | APPR: KOMURAKAMI | 2021/10/05 |
| 0 PLACES | ± 0.2 | INITIAL REVISION: | |
| DRAFT WHERE APPLICABLE MUST REMAIN WITHIN DIMENSIONS | | DRWN: MIKEDA01 | 2019/10/01 |
| THIRD ANGLE PROJECTION | | APPR: KOMURAKAMI | 2019/11/20 |
| DRAWING | SERIES | MATERIAL NUMBER | CUSTOMER |
| A3-SIZE | 213228 | SEE CHART | GENERAL |
| DOCUMENT NUMBER | | DOC TYPE | DOC PART |
| 2132280000-SD | | PSD | 000 |
| SHEET NUMBER | | REVISION | |
| 4 OF 6 | | F | |

molex

CLIK-MATE 1.5
DUAL ROW SMT R/A TYPE GOLD PLATING

PRODUCT CUSTOMER DRAWING

| 番号 No. | 部品 PART | 材質 MATERIAL |
|-----------|---------------------------|---|
| ④ | エンボステープ EMBOSSSED TAPE | ポリスチレン(PS) POLYSTYLENE |
| ⑤ | トップテープ TOP TAPE | ポリエチレン、ポリエチレンテレフタレート POLYETHYLENE (PE), POLYETHYLENE TELEPHTHALATE (PET) |
| ⑥ | リール REEL | ポリスチレン (リサイクル材を含む) POLYSTYLENE (CONTAINED RECYCLED MATERIAL) |

△ 3 適用製品及び各種仕様書
 APPLICABLE PRODUCTS AND VARIOUS SPECIFICATIONS

| | | |
|----------------------------------|----------------------------|-----------------------------------|
| 梱包仕様書 PACKAGING SPECIFICATION | PART NUMBER 213228 **** | DOCUMENT NUMBER 2132289200-SPK |
|----------------------------------|----------------------------|-----------------------------------|

| | | | | |
|--|----------------------|-------------------------|-------------|-------------|
| 適用嵌合相手 MATE WITH | HOUSING | TERMINAL (GOLD PLATING) | | |
| | | PLATING THK | #24-28 | #28-30 |
| 製品番号 PRODUCT NUMBER | 503149 **** | 0.1 micro-meters | 213028 1*00 | 213029 1*00 |
| | | 0.38 micro-meters | 213028 3*00 | 213029 3*00 |
| | | 0.76 micro-meters | 213028 7*00 | 213029 7*00 |
| 製品仕様書 PRODUCT SPECIFICATION | 5031490002-PS/PS/000 | | | |
| アプリケーション仕様書 APPLICATION SPECIFICATION | AS-503149-001 | | | |

| | | | | | | | | | |
|---|---------|---------------------------|--|------------|--|---|--|-----------------|--|
| THIS DRAWING CONTAINS INFORMATION THAT IS PROPRIETARY TO MOLEX ELECTRONIC TECHNOLOGIES, LLC AND SHOULD NOT BE USED WITHOUT WRITTEN PERMISSION | | | | | | | | | |
| DIMENSION UNITS | SCALE | CURRENT REV DESC: REVISED | | | | molex | | | |
| mm | NTS | | | | | CLIK-MATE 1.5 DUAL ROW SMT R/A TYPE GOLD PLATING | | | |
| GENERAL TOLERANCES (UNLESS SPECIFIED) | | | | | | PRODUCT CUSTOMER DRAWING | | | |
| ANGULAR TOL | ± 3.0 ° | | | | | | | | |
| 4 PLACES | ± 0.2 | EC NO: 680153 | | | | | | | |
| 3 PLACES | ± 0.2 | DRWN: MIKEDA01 | | 2021/10/05 | | | | | |
| 2 PLACES | ± 0.2 | CHK'D: SAKIYAMA | | 2021/10/05 | | | | | |
| 1 PLACE | ± 0.2 | APPR: KOMURAKAMI | | 2021/10/05 | | | | | |
| 0 PLACES | ± 0.2 | INITIAL REVISION: | | | | | | | |
| DRAFT WHERE APPLICABLE MUST REMAIN WITHIN DIMENSIONS | | THIRD ANGLE PROJECTION | | DRAWING | | SERIES | | MATERIAL NUMBER | |
| | | | | A3-SIZE | | 213228 | | SEE CHART | |
| | | | | | | CUSTOMER | | SHEET NUMBER | |
| | | | | | | 2132280000-SD | | 5 OF 6 | |
| | | | | | | PSD | | 000 F | |
| | | | | | | DOCUMENT NUMBER | | REVISION | |
| | | | | | | 2132280000-SD | | F | |

| | | | | |
|-----------------|----|--------------|------------|----------|
| DOCUMENT STATUS | P1 | RELEASE DATE | 2021/10/05 | 08:21:54 |
|-----------------|----|--------------|------------|----------|

4 製品一覧
PRODUCTS LIST

| 黒 BLACK | ナチュラル NATURAL | HOUSING COLOR | | |
|-----------------|---------------|---------------|---|----------|
| 213228 2611 | 213228 2610 | 26 | 213228 **1* (GOLD PLATING THICKNESS: 0.1 micro-meters MIN) | |
| 213228 2411 | 213228 2410 | 24 | | |
| 213228 2211 | 213228 2210 | 22 | | |
| 213228 2011 | 213228 2010 | 20 | | |
| 213228 1811 | 213228 1810 | 18 | | |
| 213228 1611 | 213228 1610 | 16 | | |
| 213228 1411 | 213228 1410 | 14 | | |
| 213228 1211 | 213228 1210 | 12 | | |
| 213228 1011 | 213228 1010 | 10 | | |
| 213228 0811 | 213228 0810 | 8 | | |
| オーダー番号 ORDER No | | 極数 CKT | | MODEL NO |

| 黒 BLACK | ナチュラル NATURAL | HOUSING COLOR | | |
|-----------------|---------------|---------------|--|----------|
| 213228 2631 | 213228 2630 | 26 | 213228 **3* (GOLD PLATING THICKNESS: 0.38 micro-meters MIN) | |
| 213228 2431 | 213228 2430 | 24 | | |
| 213228 2231 | 213228 2230 | 22 | | |
| 213228 2031 | 213228 2030 | 20 | | |
| 213228 1831 | 213228 1830 | 18 | | |
| 213228 1631 | 213228 1630 | 16 | | |
| 213228 1431 | 213228 1430 | 14 | | |
| 213228 1231 | 213228 1230 | 12 | | |
| 213228 1031 | 213228 1030 | 10 | | |
| 213228 0831 | 213228 0830 | 8 | | |
| オーダー番号 ORDER No | | 極数 CKT | | MODEL NO |

| 黒 BLACK | ナチュラル NATURAL | HOUSING COLOR | | |
|-----------------|---------------|---------------|--|----------|
| 213228 2671 | 213228 2670 | 26 | 213228 **7* (GOLD PLATING THICKNESS: 0.76 micro-meters MIN) | |
| 213228 2471 | 213228 2470 | 24 | | |
| 213228 2271 | 213228 2270 | 22 | | |
| 213228 2071 | 213228 2070 | 20 | | |
| 213228 1871 | 213228 1870 | 18 | | |
| 213228 1671 | 213228 1670 | 16 | | |
| 213228 1471 | 213228 1470 | 14 | | |
| 213228 1271 | 213228 1270 | 12 | | |
| 213228 1071 | 213228 1070 | 10 | | |
| 213228 0871 | 213228 0870 | 8 | | |
| オーダー番号 ORDER No | | 極数 CKT | | MODEL NO |

| | | | | | | | | | |
|---|---------|--|--|---------|--------|---|----------|----------|---|
| THIS DRAWING CONTAINS INFORMATION THAT IS PROPRIETARY TO MOLEX ELECTRONIC TECHNOLOGIES, LLC AND SHOULD NOT BE USED WITHOUT WRITTEN PERMISSION | | | | | | | | | |
| DIMENSION UNITS | SCALE | CURRENT REV DESC: REVISED | | | | molex | | | |
| mm | NTS | | | | | | | | |
| GENERAL TOLERANCES (UNLESS SPECIFIED) | | EC NO: 680153 DRWN: MIKEDA01 2021/10/05 CHK'D: SAKIYAMA 2021/10/05 APPR: KOMURAKAMI 2021/10/05 INITIAL REVISION: DRWN: MIKEDA01 2019/10/01 APPR: KOMURAKAMI 2019/11/20 | | | | CLIK-MATE 1.5 DUAL ROW SMT R/A TYPE GOLD PLATING | | | |
| ANGULAR TOL | ± 3.0 ° | | | | | PRODUCT CUSTOMER DRAWING | | | |
| 4 PLACES | ± 0.2 | | | | | DOCUMENT NUMBER | | | |
| 3 PLACES | ± 0.2 | | | | | 2132280000-SD | | | |
| 2 PLACES | ± 0.2 | | | | | DOC TYPE | | | |
| 1 PLACE | ± 0.2 | | | | | PSD | | | |
| 0 PLACES | ± 0.2 | DOC PART | | | | | | | |
| DRAFT WHERE APPLICABLE MUST REMAIN WITHIN DIMENSIONS | | THIRD ANGLE PROJECTION | | DRAWING | SERIES | MATERIAL NUMBER | CUSTOMER | REVISION | |
| | | | | A3-SIZE | 213228 | SEE CHART | GENERAL | 000 | F |
| | | | | | | | | 6 OF 6 | |