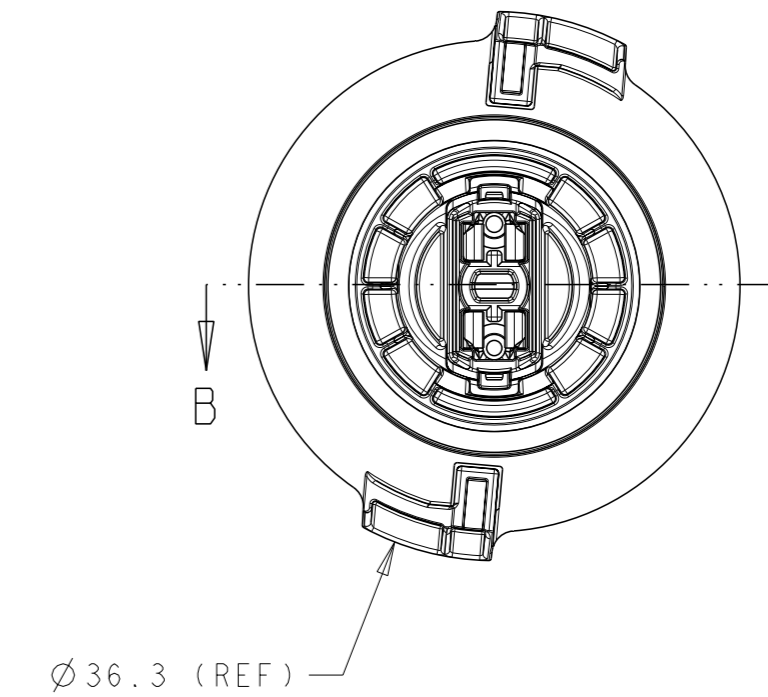
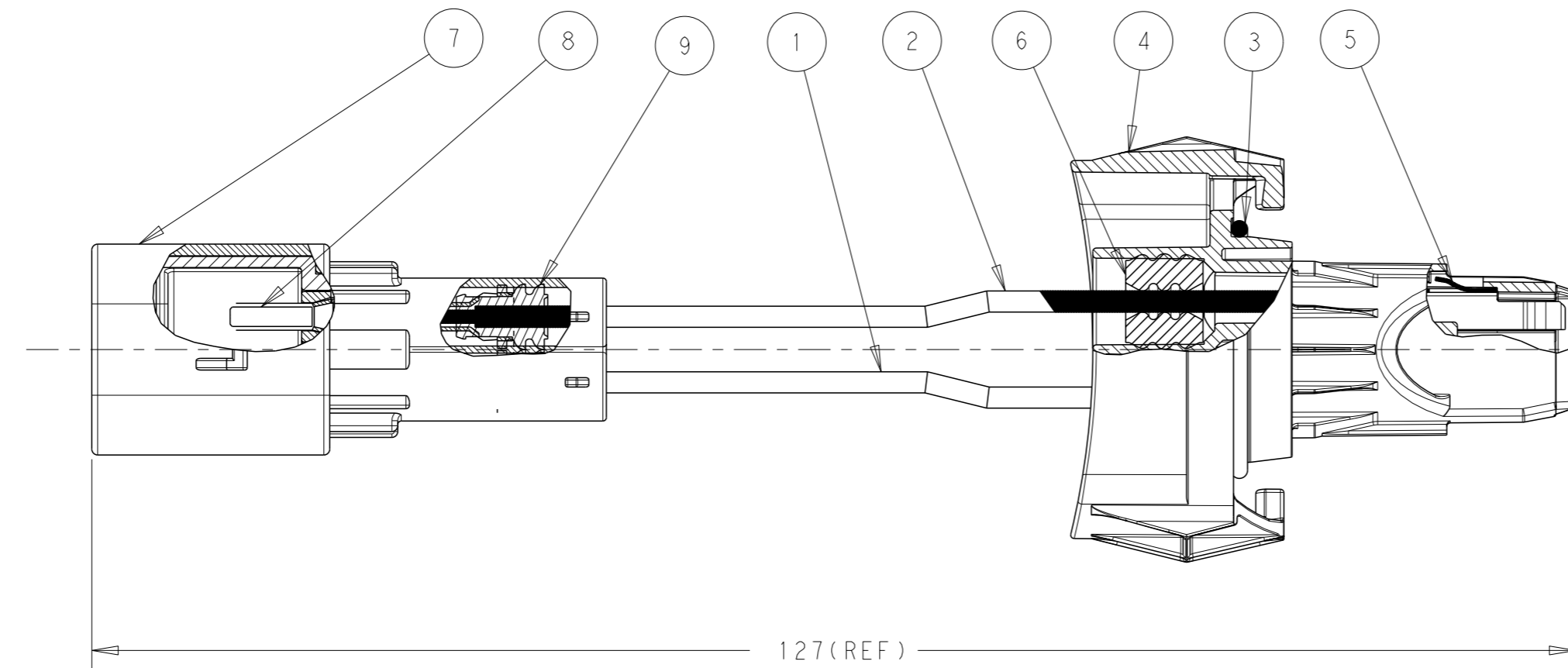
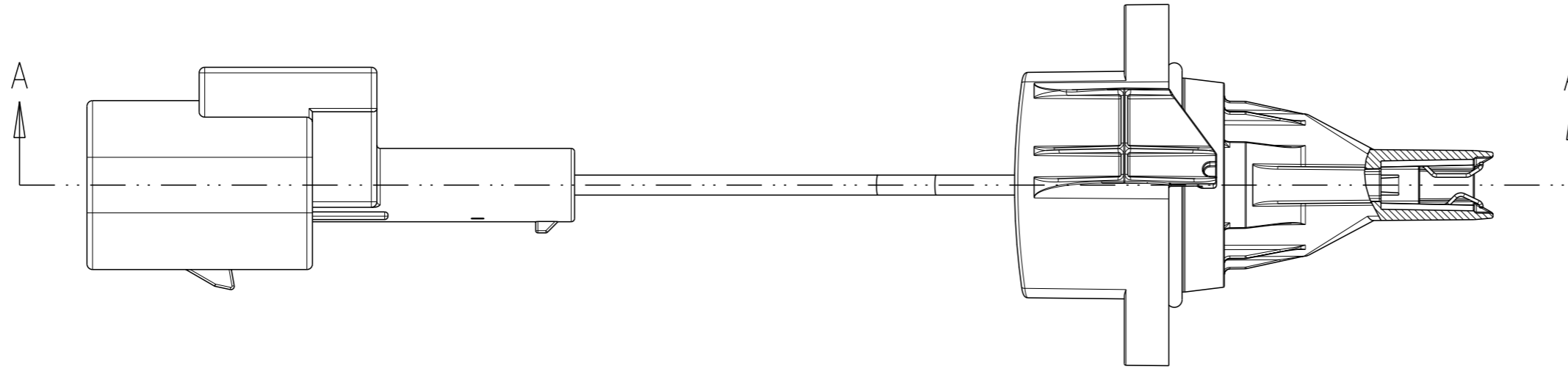


THIS DRAWING IS UNPUBLISHED. RELEASED FOR PUBLICATION 20
 © COPYRIGHT 20 ALL RIGHTS RESERVED.

LOC	DIST	REVISIONS					
AP	-	P	LTR	DESCRIPTION	DATE	DWN	APVD
		A		CHANGE STATUS ECO-12-001364	23JAN2012	NCL	WAO



SECTION A-A

1 - CABO FLY-B CONF. DIN 72551 PARTE 6 TIPO B
 TEMPERATURA: MIN. -40° C / MAX. 105°C
 FIO: 0,75mm²
 COR: CONFORME TABELA

CABO FLY-B ACC. TO DIN 72551 PART 6 TYPE B
 TEMPERATURA: MIN. -40° C / MAX. 105°C
 CABLE: 0,75mm²
 COLOR: ACC. TO TABLE

REQ. PER ASSY	ITEM	DESCRIPTION	NOTES
	2 09	SINGLE WIRE SEAL	
	2 08	.090 MLC SEALED TAB CONTACT	
	1 07	.090 SEALED 2P CAP ASS'Y	
	2 06	WIRE SEAL FOR POSITION BULB	
	2 05	REC TML FOR POSITION BULB 2P	
	1 04	HSG. LAMP SOCKET W5W	
	1 03	O'RING	
	1 02	RED CABLE	
	1 01	BLACK CABLE	
2133430	-1		

THIS DRAWING IS A CONTROLLED DOCUMENT.

DWN	04OUT2011	TE Connectivity	NAME LAMP SOCKET HARNESS W5W LAMP LIFT GATE SIDE
CHK	F. CHRISTIANO		
	W. OLIVEIRA		
APVD	J. R. GOLDSCHMIDT		
DIMENSIONS: mm		PRODUCT SPEC	SIZE
TOLERANCES UNLESS OTHERWISE SPECIFIED:		APPLICATION SPEC	CAGE CODE
0 PLC	±	WEIGHT	DRAWING NO
1 PLC	±	15g	A200779
2 PLC	±		C-2133430
3 PLC	±		RESTRICTED TO
4 PLC	±		---
ANGLES	±		
FINISH	---	CUSTOMER DRAWING	SCALE 2:1
			SHEET 1 OF 1
			REV A

