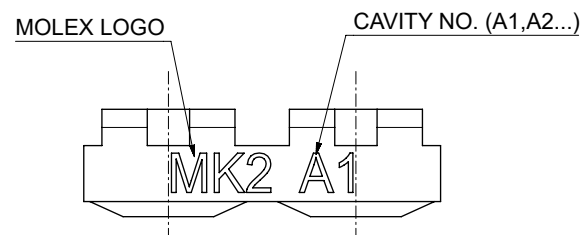
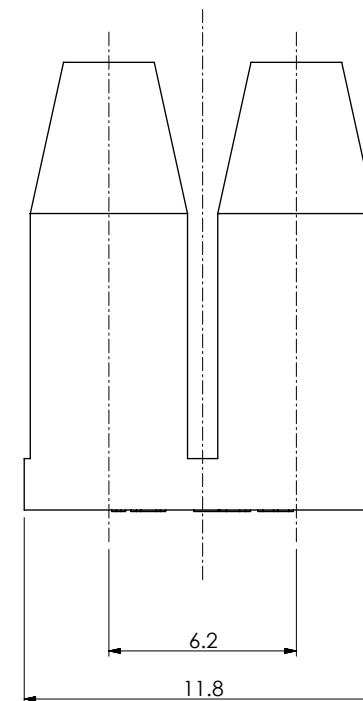
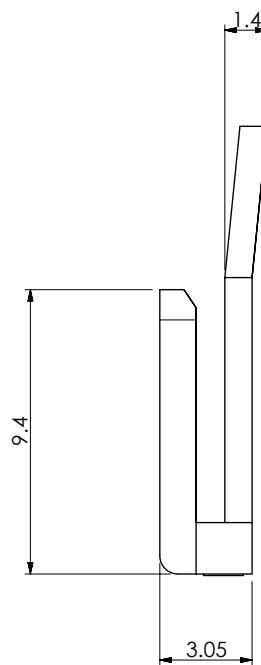
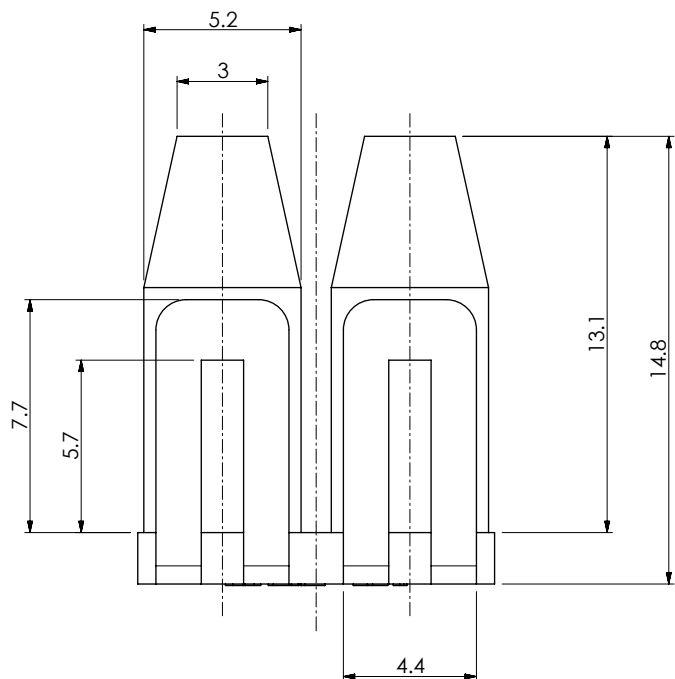
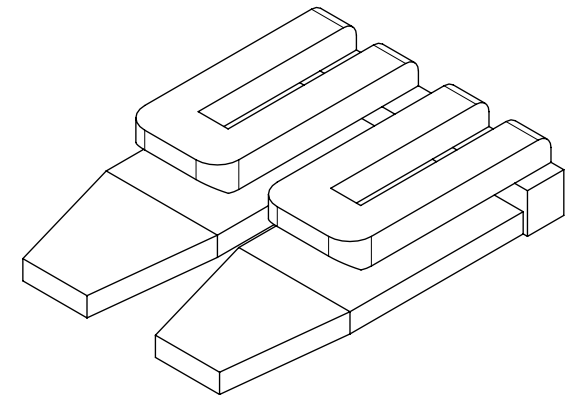


NOTE
 1. MATERIAL : NYLON(PA6) UNFILLED, UL94V-0
 COLOR : GRAY
 2. APPLICATION HOUSING : 217347-0200/0400
 217348-0200/0400
 3. PRODUCT SPECIFICATION : 2173470000PS
 4. PACKAGING SPECIFICATION : 2173470000PK



FUNCTIONAL SYMBOLS	THIS DRAWING CONTAINS INFORMATION THAT IS PROPRIETARY TO MOLEX ELECTRONIC TECHNOLOGIES, LLC AND SHOULD NOT BE USED WITHOUT WRITTEN PERMISSION		CURRENT REV DESC:		molex			
	▽A = 0	DIMENSION UNITS: mm						SCALE: 4:1
DIVISIONAL SYMBOLS	GENERAL TOLERANCES (UNLESS SPECIFIED)		EC NO: 743246 DRWN: JDPARK01 2023/03/17 CHK'D: SCHONG03 2023/03/22 APPR: AIDA 2023/03/23 INITIAL REVISION: DRWN: SCHONG03 2021/05/21 APPR: JBJIN 2021/10/28			HIGH TEMP VERSABLADE TPA 2P		
	ANGULAR TOL ± 3.0°					PRODUCT CUSTOMER DRAWING		
	4 PLACES	±				DOCUMENT NUMBER: 2173470290		
	3 PLACES	±				DOC TYPE: PSD		
	2 PLACES	± 0.35				DOC PART: 000		
1 PLACE	± 0.35	REVISION: A1						
0 PLACES	± 0.35	SHEET NUMBER: 1 OF 1						
DRAFT WHERE APPLICABLE MUST REMAIN WITHIN DIMENSIONS		THIRD ANGLE PROJECTION	DRAWING: A3-SIZE	SERIES: 217347	MATERIAL NUMBER: 2173470290	CUSTOMER: GENERAL		