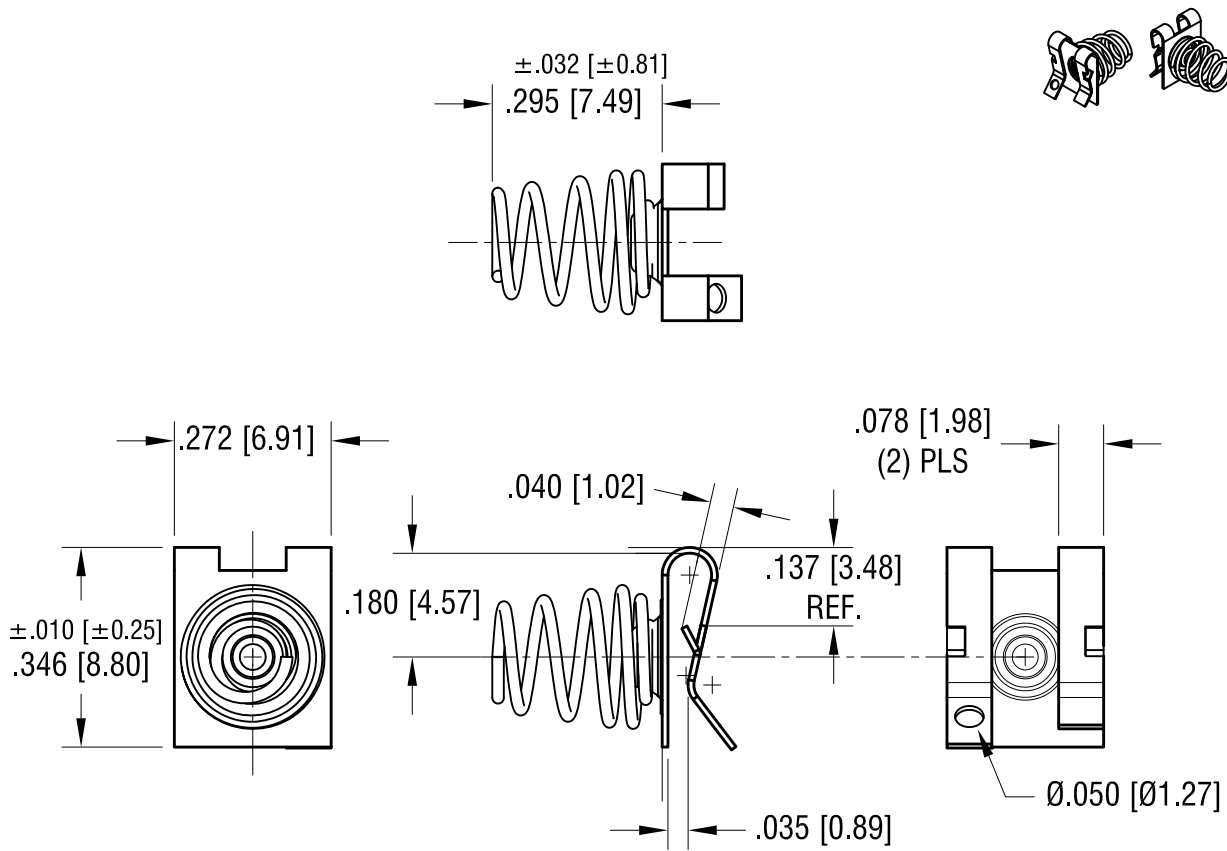


THIS DOCUMENT IS THE PROPERTY OF  
KEYSTONE ELECTRONICS CORP. AND  
SHALL NOT BE REPRODUCED, DISTRIBUTED  
OR USED AS A BASIS FOR MANUFACTURE  
WITHOUT PRIOR WRITTEN PERMISSION  
FROM KEYSTONE ELECTRONICS CORP.

ACTUAL SIZE



- 1. BASE:  
MAT'L - .010 [0.25] TH'K SPRING STEEL
- 2. SPRING CONTACT:  
MAT'L - .020 [0.50] DIA. MUSIC WIRE

- 3. SPRING EYELETED TO BASE
- 4. DESIGNED TO CLIP OVER PANELS  
FROM .060 [1.52] THRU .070 [1.78]

<b>KEYSTONE ELECTRONICS CORP.</b>			
www.keyelco.com • NEW HYDE PARK, NY 11040 • Tel (516) 328-7500			
PART NAME			
SPRING CONTACT, 'AAA' - 'AAAA'			
MATERIAL			
AS NOTED			
FINISH		DRN BY	DATE
NICKEL PLATE		NT	10.25.17
		APP'D	SCALE
		RH	3X
TOLERANCES	INCH [MM]	CODE	DWG NO.
DECIMAL	± .005 [± 0.13]	C	<b>267</b>
ANGULAR	± 1°		
UNLESS OTHERWISE SPECIFIED			

10.16.18	CHANGE AS PER ECN 18-041	A
DATE	DESCRIPTION	REV.