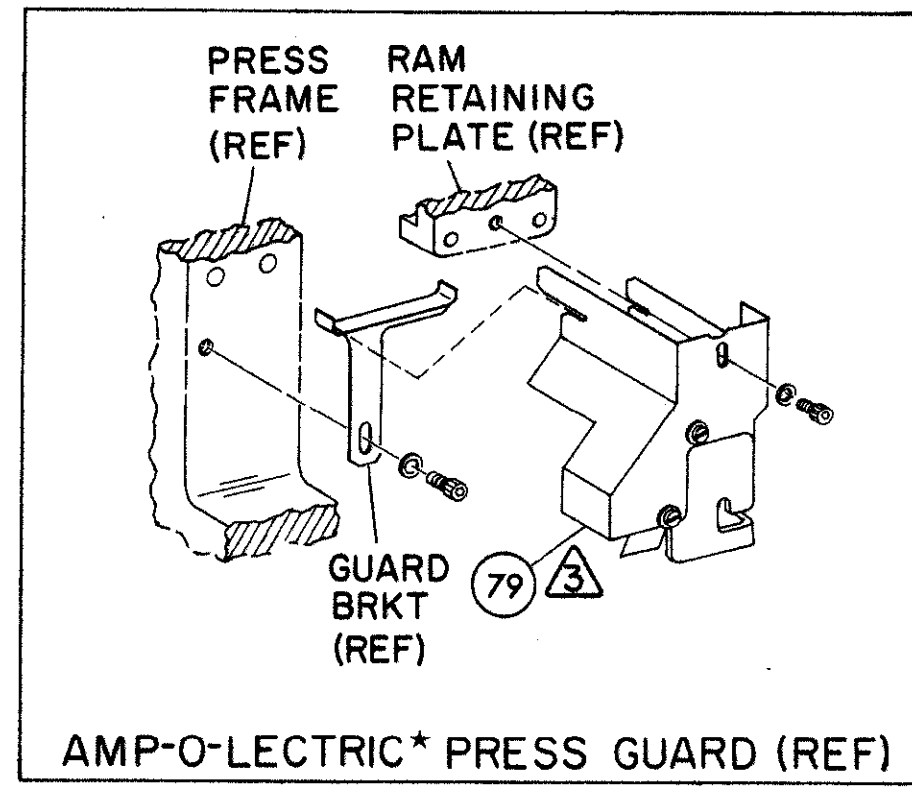
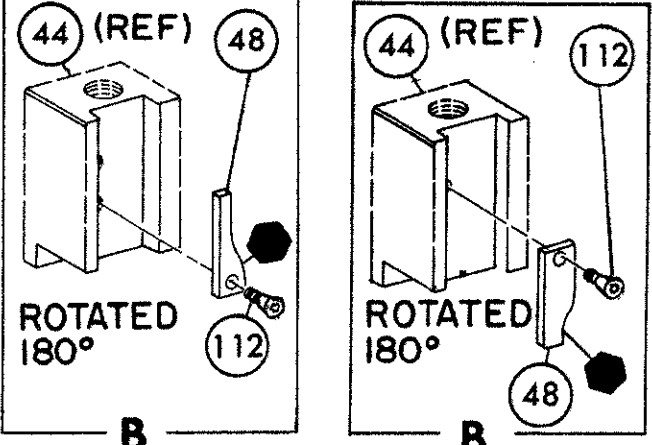
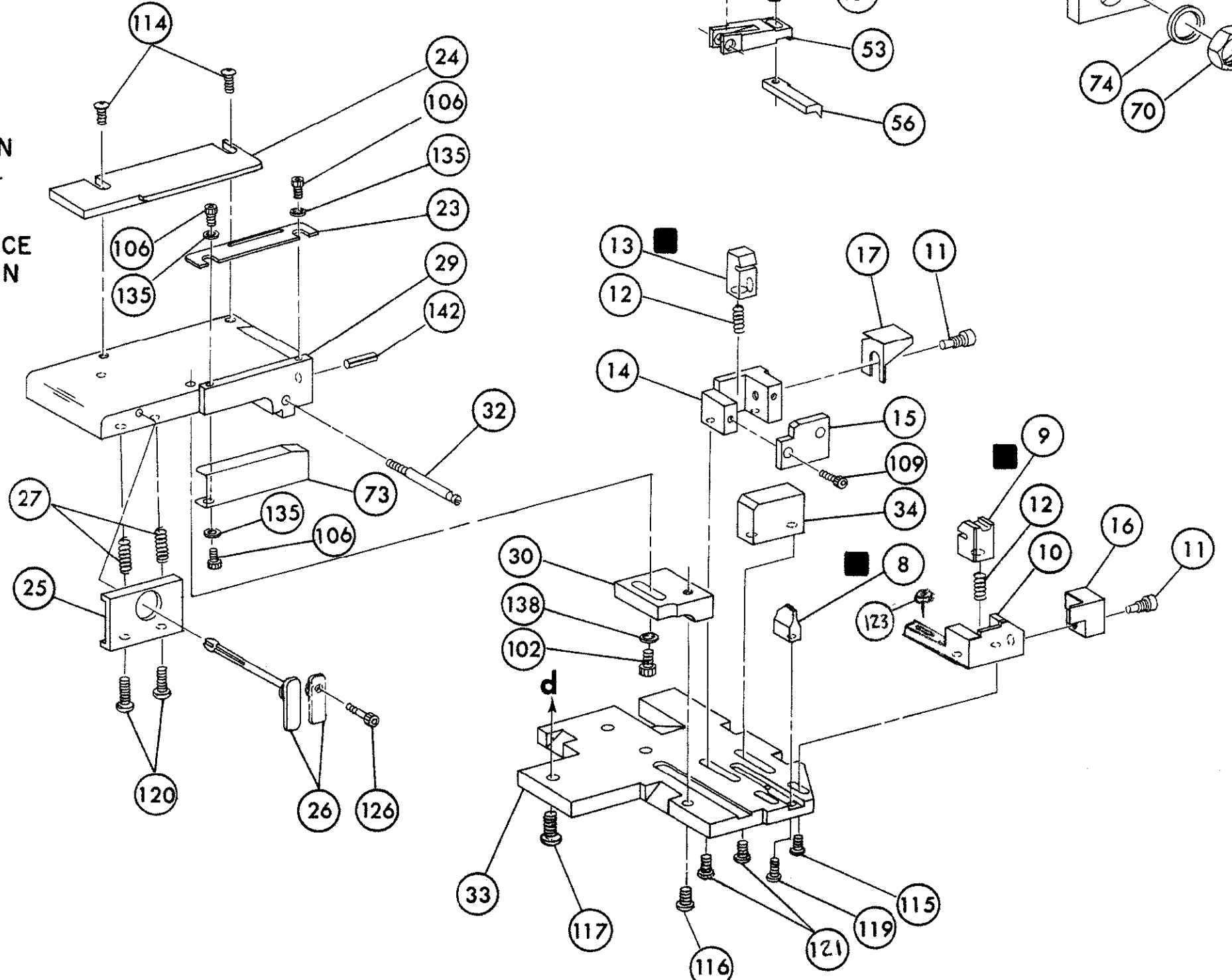


PRE-FEED 1/8" STROKE
POST-FEED 1 5/8" STROKE



NOTES:
1- ONLY THE ITEMS WITH QUANTITIES SPECIFIED ON PARTS LIST ARE USED ON THIS APPLICATOR.
2- USED IN PLACE OF ITEM 38 WHEN INSULATION CRIMP IS NOT USED.
3- GUARD MUST BE IN PLACE WHEN OPERATING APPLICATOR IN AMP-O-LECTRIC PRESS.
KEY:
- RECOMMENDED SPARE PARTS CUSTOMER RESPONSIBLE FOR REPLACEMENT.
- LUBRICATE DAILY USING NO. 20 MACHINE OIL.



QTY	PART NO	DESCRIPTION	ITEM NO
2	21045-3	RING, RETAINING 'C' (.187 DIA) FEED FINGER PIN	145
			144
			143
2	5-21028-1	PIN, SLOT SPR (.125 DIA X .50) ADJ ROD	142
1	4-21028-0	PIN, SLOT SPR (.093 DIA X .75) STR G PLATE	141
			140
1	1-21030-1	PIN, DOWEL (.187 DIA X .50) LEVER	139
			138
1	1-21030-6	PIN, DOWEL (.187 DIA X 1.25) HOUSING	137
			136
1	21024-5	WASHER, LOCK (NO 10) LUB ASSY	135
			134
1	21024-5	WASHER, LOCK (NO 10) STRIP GUIDE ADJ BLOCK	133
			132
2	21024-5	WASHER, LOCK (NO 10) ADJ PLATE	131
			130
2	21024-5	WASHER, LOCK (NO 10) FEED GUIDE ROD	129
			128
3	21057-2	WASHER, LOCK (NO 4) FRONT STRIP GUIDE	127
1	21024-4	WASHER, LOCK (NO 8) FEED FINGER	126
			125
2	21024-4	WASHER, LOCK (NO 8) DEPRESSOR	124
			123
1	21024-4	WASHER, LOCK (NO 8) STRIPPER	122
			121
1	21899-4	WASHER, FLAT (5/16 DIA) SCREW ADJ	120
			119
1	21899-2	WASHER, FLAT (NO 10) LUB ASSY	118
			117
1	21018-5	NUT, HEX MACH (6-32) HOLDDOWN	116
			115
1	21068-5	NUT, HEX MACH (6-32) FEED ADJ	114
			113
			112
			111
1	22353-8	SCR, SHLD. (.187 DIA X .250 LG) DRAG LEVER	110
			109
1	456567-1	SCR SHLD (.187 DIA X .25 LG) STRIPPER	108
			107
1	21009-2	SCR, SKT SET (1/4-20 X .25) (LOC-WEL) RAM	106
			105
2	1-21124-0	NUT, HEX	104
			103
1	3-21064-2	SCR, RD HD MACH (6-32 X 1.50) FEED ADJ	102
			101
2	2-21002-3	SCR, BHC (8-32 X .62)	100
			99
2	3-21002-0	SCR, BUT HD SKT CAP (10-32 X .50) DRAG	98
			97
1	2-21002-8	SCR, BUT HD SKT CAP (8-32 X .38) (LOC-WEL) ANVIL	96
			95
4	2-21002-9	SCR, BUT HD SKT CAP (10-32 X .75) CAP	94
			93
3	2-21002-8	SCR, BUT HD SKT CAP (1/4-20 X .62) HOUSING	92
			91
1	2-21002-7	SCR, BUT HD SKT CAP (10-32 X .50) SG ADJ BLOCK	90
			89
2	2-21002-2	SCR, BUT HD SKT CAP (8-32 X .50) SHEAR	88
			87
2	2-21002-2	SCR, BUT HD SKT CAP (8-32 X .50) R STRIP GUIDE	86
			85
			84
1	1-21002-7	SCR, BUT HD SKT CAP (6-32 X .38) CAM	83
			82
1	3-21000-4	SCR, SKT HD CAP (10-32 X .38) LUBRICATOR ASSY	81
			80
2	23030-1	SCR, SKT HD CAP (6-32 X .25) (LOC-WEL) CP DISC	79
			78
			77
			76
2	2-21000-7	SCR, SKT HD CAP (6-32 X .50) REAR SHEAR PLATE	75
			74
			73
1	2-22603-0	SCR, HEX HD MACH (8-32 X .31) FEED FINGER	72
			71
3	1-21000-3	SCR, SKT HD CAP (4-40 X .25) F STRIP GUIDE	70
			69
1	2-21000-7	SCR, SKT HD CAP (8-32 X .50) STRIPPER	68
			67
2	3-21000-7	SCR, SKT HD CAP (10-32 X .75) FEED ROD GUIDE	66
			65
2	3-21000-6	SCR, SKT HD CAP (10-32 X .62) FEED ADJ BLOCK	64
			63
1	3-21000-4	SCR, SKT HD CAP (10-32 X .38) SG ADJ BLOCK	62
			61
1	3-21000-4	SCR, SKT HD CAP (10-32 X .38) PIVOT BLOCK	60
			59
REF	455749-1	GUARD, WINDOW	58
			57
1	1-465184-0	LUBRICATOR ASSY	56
			55
REF	852931-2	OIL, LUBRICATING	54
			53
2	21017-2	SCR, DRIVE (#2 X .19) ID PLATE	52
			51
1	461264-1	PLATE, ID	50
			49
1	458109-1	WASHER, SPECIAL	48
			47
1	454877-3	PLATE, STRIP GUIDE COVER	46
			45
2	690603-1	SPRING, ASSIST	44
			43
1	690517-1	SPACER	42
			41
1	22594-8	NUT, HEX	40
			39
1	240628-1	PLATE, ADJUSTMENT	38
			37
1	240626-1	SHAFT, PIVOT	36
			35
1	240633-1	BUSHING	34
			33
1	455680-1	LEVER, INTERMEDIATE	32
			31
1	240629-1	BLOCK, PIVOT	30
			29
1	240632-2	SCREW, ADJUSTMENT FEED ROD	28
			27
1	240659-3	PIN, CAM ROLLER	26
			25
1	240658-1	ROLLER, CAM	24
			23
1	454398-2	ROD, FEED	22
			21
1	454178-1	GUIDE, FEED ROD	20
			19
			18
			17
			16
			15
			14
			13
			12
			11
			10
			9
			8
			7
			6
			5
			4
			3
			2
			1

QTY	PART NO	DESCRIPTION	ITEM NO
62	AD LTR	CRIMP HEIGHT	WIRE SIZE
61	A	.070	(2) 16
62	B	.085	14 or (2) 18
60	C	.078	16 or (2) 20
60	D	.073	18 or (2) 22
	CRIMP SIZE	TYPE	FEED
	WIRE	.140	F
	INSUL	.220	F
	WIRE RANGE	18-14	INSULATION RANGE
		085-120	PRESS NO
		563435-5	
	REMARKS	AMP-O-LECTRIC PRE FEED	

REMARKS	NO	REV
APPL USED ON MACHINE PART NO	MACH SERIAL NO	DISTRIBUTION
CUSTOMER NAME	APPL SERIAL NO	ORIGINAL
ADDRESS	PURCHASE ORDER	CUSTOMER COPY
CITY	ENG APP	FIELD ENG COPY

N ECN 0150-1167-04
 M ECN 0150-0695-04
 L 0150-0761-01
 K 0150-4876-93
 J ECN 0150-4143-92
 H ECN A-272190

G ECN A-240590
 F ECN A-230890
 E ECN A18288
 D REV PER ECN A-124182
 C REV PER R3474
 B REV PER ECN R1723
 A REV PER ECN R1555

SET UP GAGE 10-1
 452637-1 792
 DR 11-11-88
 MILLER (from New)
 SHK
 REL 11-18-88
 NAME
 DATE

AMP INCORPORATED
 Harrisburg, Pa.
 NO 406355-2
 MINIATURE QUICK CHANGE APPLICATOR
 SIDE FEED (RING (EXTERNAL TOOTH))

THIS DRAWING IS A CONTROLLED DOCUMENT.

27 JUL 91
RELEASED FOR INSPECTION
BY AMP INCORPORATED
ALL RIGHTS RESERVED
© COPYRIGHT 1988 AMP INCORPORATED