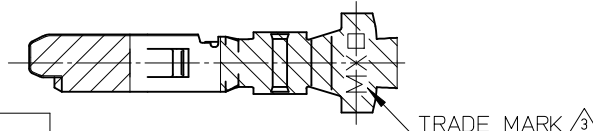
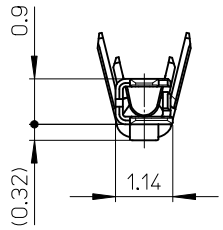
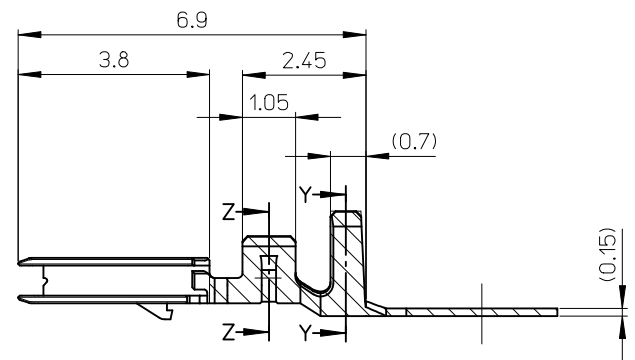
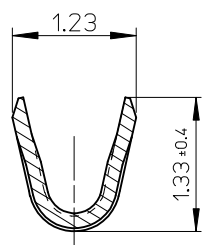
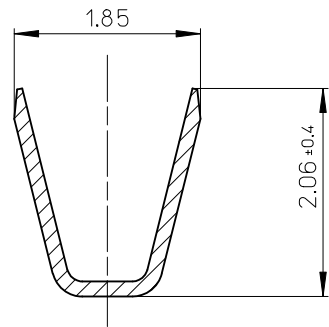
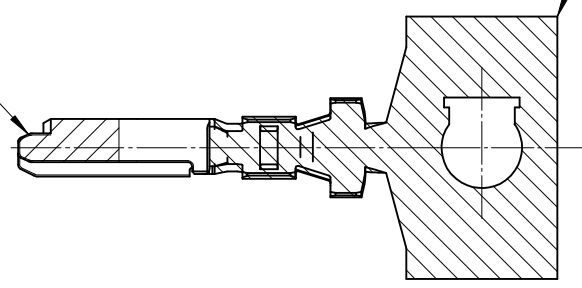


△ Au PLATING AREA

Sn PLATING AREA



NOTES

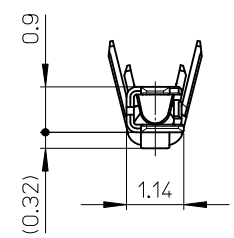
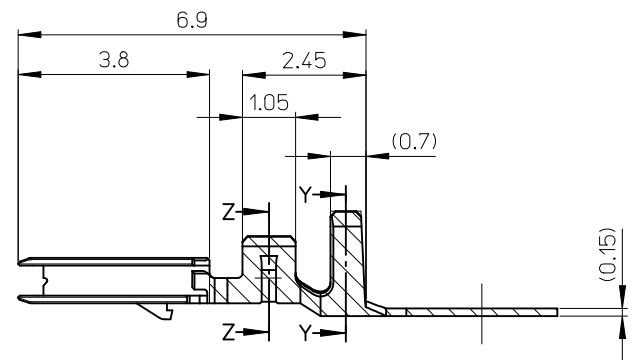
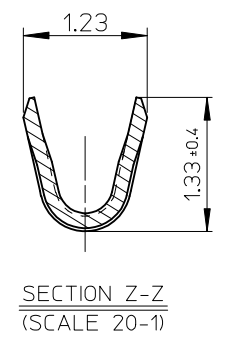
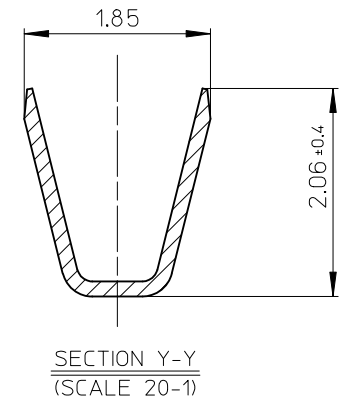
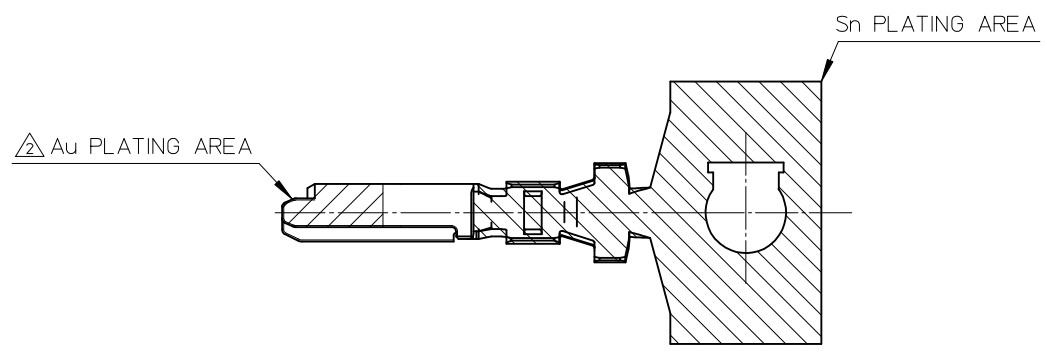
- 適合ハウジング: 502578\*\*\*\*, 503149\*\*\*\*  
APPLICABLE HOUSING: 502578\*\*\*\*, 503149\*\*\*\*
- 図示の斜線部の範囲は、接点部のため、傷、打痕、汚れなどを付けないようにして下さい。  
PLEASE DON'T DAMAGE, DON'T DENT, AND DON'T MAKE IT DIRTY. BECAUSE THE RANGE IN THE SHADED PORTION SHOWN IN FIGURE IS THE CONTACT AREA.
- トレードマーク: MX プラス1文字の製造工場を示すアルファベットにて表示。但し「J」は JAPAN を示す。(例 MXJ)  
FORMED BY MX AND 1 MORE LETTER OF ALPHABET WHICH MEAN THE MANUFACTORY. BUT "J" MEANS JAPAN. (TO TRADE MARK) (e.g. MXJ)
- ELV 及び RoHS 適合品  
ELV AND RoHS COMPLIANT

部品 PART	材質 MATERIAL	
	5025791***	
ターミナル TERMINAL	コンタクト部 CONTACT POS.	銅合金 COPPER ALLOY 金めっき: 0.2 μm MIN. GOLD リフロー処理 (前めっき) REFLOW TREATMENT (PRE-PLATED)
	バレル部 BARREL POS.	錫めっき: 1.0 μm MIN. TIN リフロー処理 (前めっき) REFLOW TREATMENT (PRE-PLATED)
	ニッケルめっき (下地): 1.0 micro-meter MIN. NICKEL (UNDER PLATING) リフロー処理 (前めっき) REFLOW TREATMENT (PRE-PLATED)	

REVISED EC NO: J2015-0528 DRWN: TAKAIKE 2014/10/21 CHKD: KASAKAWA 2015/02/16 APPR: NUKITA 2015/02/16	GENERAL TOLERANCES (UNLESS SPECIFIED)	
	0.25 UNDER	UNDER ± 0.03
	0.25 OVER	0.5 UNDER ± 0.05
	0.5 OVER	1.0 UNDER ± 0.1
	1.0 OVER	30 UNDER ± 0.2
	10 OVER	30 UNDER ± 0.25
	30 OVER	± 0.3
	ANGULAR	± 3 °
	DRAFT WHERE APPLICABLE MUST REMAIN WITHIN DIMENSIONS	

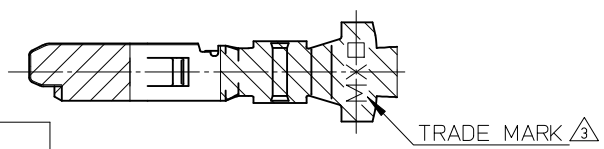
DIMENSION STYLE	
MM ONLY	
DRAWN BY	DATE
TAKAIKE	2014/10/21
CHECKED BY	DATE
KASAKAWA	2015/02/16
APPROVED BY	DATE
NUKITA	2015/02/16
MATERIAL NO.	
SEE TABLE	
SIZE	A3

SCALE	10:1	DESIGN UNITS	METRIC	THIRD ANGLE PROJECTION
TITLE	1.5 W/B CONN. SINGLE PLUG TERMINAL			
MATERIAL NO.		DOCUMENT NO.	SHEET NO.	
SEE TABLE		SD-502579-002	1 OF 1	
THIS DRAWING CONTAINS INFORMATION THAT IS PROPRIETARY TO MOLEX INCORPORATED AND SHOULD NOT BE USED WITHOUT WRITTEN PERMISSION				



NOTES

- 適合ハウジング: 502578\*\*\*\*, 503149\*\*\*\*  
APPLICABLE HOUSING: 502578\*\*\*\*, 503149\*\*\*\*
- 図示の斜線部の範囲は、接点部のため、傷、打痕、汚れなどを付けないようにして下さい。  
PLEASE DON'T DAMAGE, DON'T DENT, AND DON'T MAKE IT DIRTY. BECAUSE THE RANGE IN THE SHADED PORTION SHOWN IN FIGURE IS THE CONTACT AREA.
- トレードマーク: MX プラス1文字の製造工場を示すアルファベットにて表示。但し「J」は JAPAN を示す。(例 MXJ)  
FORMED BY MX AND 1 MORE LETTER OF ALPHABET WHICH MEAN THE MANUFACTORY. BUT "J" MEANS JAPAN. (TO TRADE MARK) (e.g. MXJ)
- ELV 及び RoHS 適合品  
ELV AND RoHS COMPLIANT



部品 PART	材質 MATERIAL
	5025791***
ターミナル TERMINAL	銅合金 COPPER ALLOY
コンタクト部 CONTACT POS.	金めっき: 0.2 μm MIN. GOLD リフロー処理 (前めっき) REFLOW TREATMENT (PRE-PLATED)
バレル部 BARREL POS.	錫めっき: 1.0 μm MIN. TIN リフロー処理 (前めっき) REFLOW TREATMENT (PRE-PLATED)
	ニッケルめっき (下地): 1.0 micro-meter MIN. NICKEL (UNDER PLATING) リフロー処理 (前めっき) REFLOW TREATMENT (PRE-PLATED)

RELEASED EC NO: J2015-0528 DRWN: TAKAIKE 2014/10/21 CHKD: KASAKAWA 2015/02/16 APPR: NUKITA 2015/02/16	GENERAL TOLERANCES (UNLESS SPECIFIED)	
	0.25 UNDER	UNDER ±0.03
	0.25 OVER	0.5 UNDER ±0.05
	0.5 OVER	1.0 UNDER ±0.1
	1.0 OVER	30 UNDER ±0.2
	10 OVER	30 UNDER ±0.25
	30 OVER	±0.3
	ANGULAR	±3 °
	DRAFT WHERE APPLICABLE MUST REMAIN WITHIN DIMENSIONS	

DIMENSION STYLE MM ONLY		SCALE 10:1	DESIGN UNITS METRIC	THIRD ANGLE PROJECTION
DRAWN BY TAKAIKE	DATE 2014/10/21	TITLE 1.5 W/B CONN. SINGLE PLUG TERMINAL		
CHECKED BY KASAKAWA	DATE 2015/02/16	MATERIAL NO. SD-502579-002		
APPROVED BY NUKITA	DATE 2015/02/16	SHEET NO. 1 OF 1		
MATERIAL NO. SEE TABLE				
THIS DRAWING CONTAINS INFORMATION THAT IS PROPRIETARY TO MOLEX INCORPORATED AND SHOULD NOT BE USED WITHOUT WRITTEN PERMISSION				