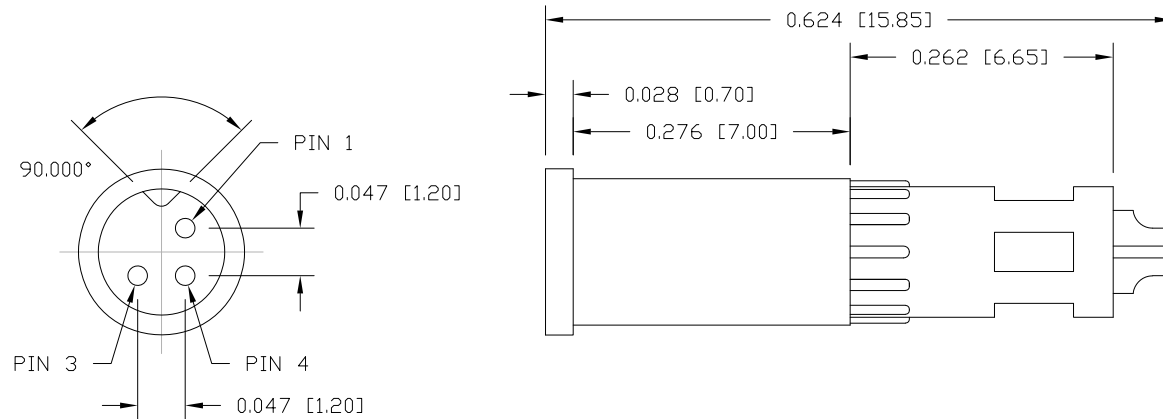


DESCRIPTION: M5 MALE - CABLE MOUNT - SOLDER CUP - 3 POSITION

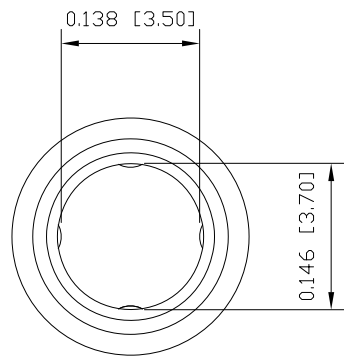
NOTE:

|                        |                                           |
|------------------------|-------------------------------------------|
| MATERIAL               | TPU, BLACK                                |
| HOUSING:               | BRASS                                     |
| CONTACT:               | BRASS                                     |
| NUT:                   | BRASS                                     |
| FINISH                 |                                           |
| CONTACT:               | GOLD PLATED<br>OVER 50µ" NICKEL<br>NICKEL |
| NUT:                   |                                           |
| ELECTRICAL             |                                           |
| RATED CURRENT:         | 1A                                        |
| RATED VOLTAGE:         | 60V                                       |
| INSULATION RESISTANCE: | 100 MΩhms MIN.                            |
| CONTACT RESISTANCE:    | 10 mΩhms MAX.                             |
| WATER PROOF:           | IP67                                      |
| ENVIRONMENT            |                                           |
| OPERATION TEMPERATURE: | -40°C TO +85°C                            |
| WIRE GAUGE:            | 28 AWG MAX RECOMMENDED                    |

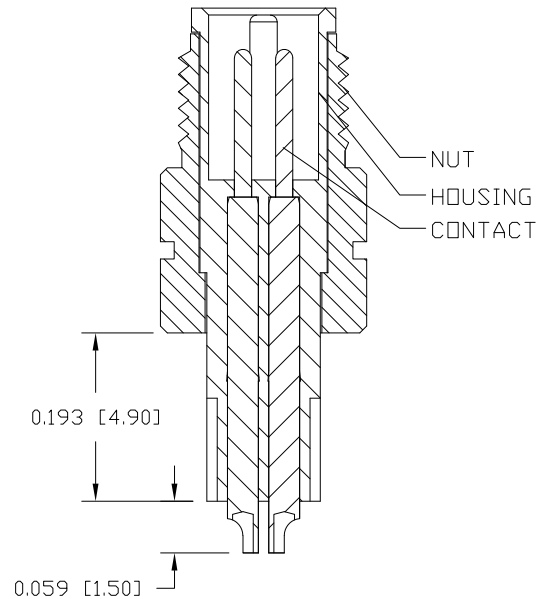
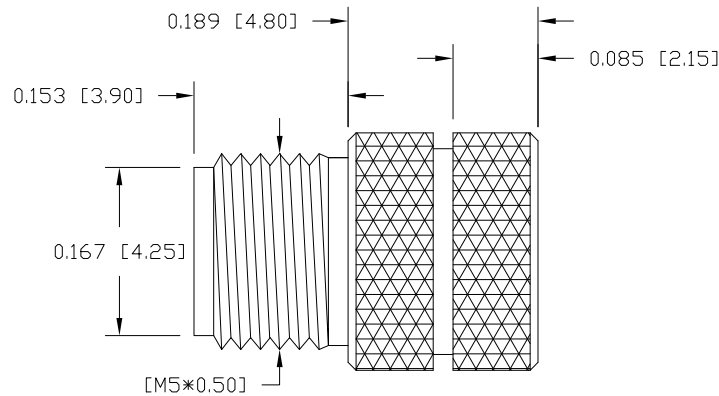


850-003-103RLUY

1 = GOLD FLASH  
4 = 10µ" GOLD



NUT



RoHS COMPLIANT

UNITS = inch [mm]

DO NOT SCALE FROM DRAWING



THESE DRAWINGS AND SPECIFICATIONS ARE THE PROPERTY OF NorComp AND SHALL NOT BE REPRODUCED, COPIED OR USED AS THE BASIS FOR THE MANUFACTURE OR SALE OF APPARATUS WITHOUT WRITTEN PERMISSION.

DRAWN: M. SIGMON

DATE: 03-04-16

NorComp

SCALE: NTS

SHEET 1 OF 1

REV 6

DWG NO. 850-003-103RLUY