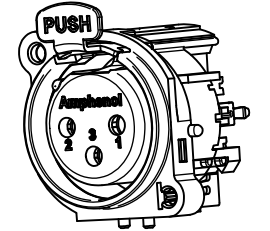
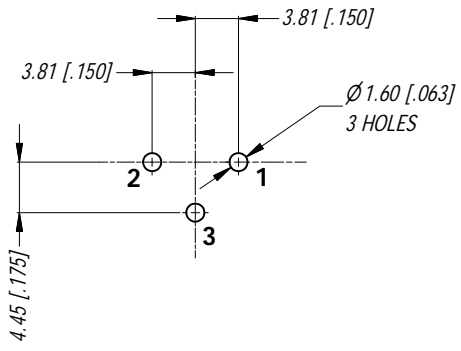
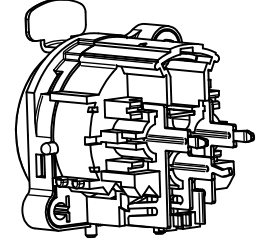


MIN MOUNTING PITCH (1:1)



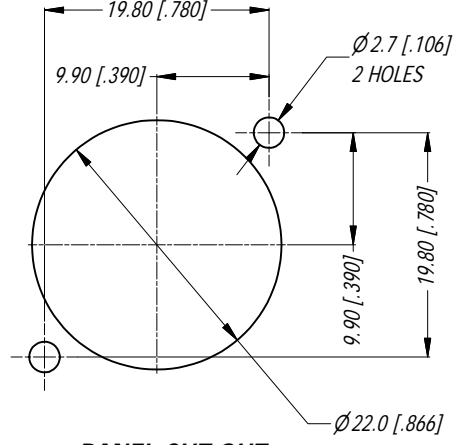
3D VIEW (1:1)



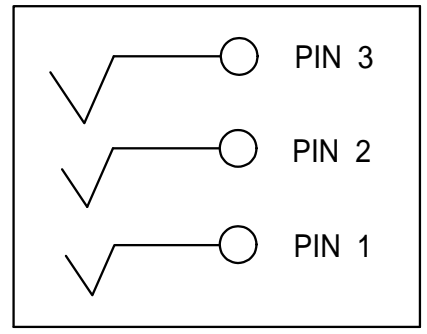
PCB LAYOUT

LAYOUT TOLERANCE : ±0.05 [±.002 in]

NOTE: DIMENSIONS IN PARENTHESES ARE IN INCHES.



PANEL CUT OUT  
REAR VIEW



SCHEMATIC CHART

NOTE: SUFFIX "B" IN THE PART No. INDICATES BULK PACK.

UNLESS OTHERWISE SPECIFIED TOLERANCE TO BE:		THIS DOCUMENT IS THE PROPERTY OF AMPHENOL AUSTRALIA PTY. LTD. NO PART THEREOF MAY BE REPRODUCED AND USED WITHOUT THE PRIOR WRITTEN CONSENT OF THE OWNER			
LINEAR	ANGULAR	CAD FILE: <b>55010467000221</b>	DRN: T.N	DATE: 17/04/07	TITLE: <b>XLR FEMALE B TYPE CONNECTOR CUSTOMER DWG</b>
X ±	X' ± 1		CKD: P.M	DATE: 07/04/09	
X.X ±	X.X' ± 30°		APP'D: P.M	DATE: 07/04/09	
X.XX ±	X.XX' ± 15°		SCALE: <b>3:2</b>	PART No: <b>AC3FBV-AU-B</b>	
DO NOT SCALE		MATL: REFER TO COMPONENTS	THIRD ANGLE PROJECTION		SIZE: <b>A4</b>
DIMENSIONS IN MILLIMETRES		FINISH: REFER TO COMPONENTS		DRAWING NO. <b>55010467-000-2</b>	

REV	DESCRIPTION	DATE	BY	CHG NO
2	ADD SUFFIX B TO PART No.	27/08/15	T.N	9318
1	CHANGE NEW LEVER & LATCH SPRING	18/12/08	A.O	8793
0	FIRST ISSUE	03/09/07	T.N	8686

REVISION HISTORY

**Amphenol**  
Amphenol Australia Pty.Ltd. 2 Fiveways Blvd, Keysborough, Vic3173

SHEET **2/2**