

- 1
- 2
- 3
- 4
- 5
- 6
- 7
- 8
- 9
- 10
- 11
- 12
- 13
- 14
- 15
- 16
- 17
- 18

**MATERIAL**

Aluminium, epoxy resin coating.

**COLOUR**

Black, matte finish.

**STANDARD EXECUTIONS**

H7 reamed through hole.

Revolving handle (for +I versions) l.621+x (see page 406) in polyamide based (PA) technopolymer, black colour, matte finish.

- VAD-GXX: for gravity indicators, without handle.
- VAD-GXX+I: for gravity indicators, with handle.
- VAD-PXX: for positive drive indicators, without handle.
- VAD-PXX+I: for positive drive indicators, with handle.

Rear flange with internal crown gear wheel in acetal resin based (POM) technopolymer. Black-oxide steel screw and anchor pin.

**INDICATOR CHOICE (TO BE ORDERED SEPARATELY)**

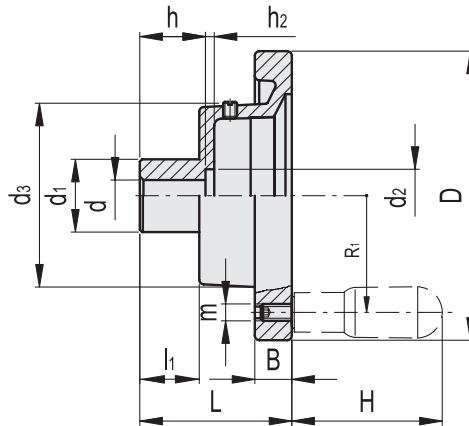
To choose the indicator see the table below for possible assembly with indicators.

See also "Assembly instructions" for gravity indicators type G (on page 460) or positive drive indicators type P (on page 462).



ELESA Original design

VAD-GXX  
VAD-GXX+I



Conversion Table	
1 mm = 0.039 inch	
D	
mm	inch
80	3.15
100	3.94
125	4.92
160	6.30
200	7.87
250	9.84

**VAD-GXX**

METRIC

Code	Description	D	L	dh7	h	d1	d2	d3	h2	l1	B	⚖️	Handwheel/indicator combinations
CE.28501	VAD.80-GXX1 A-10	80	48	10	16	26	20.5	56	3.5	15.5	13	175	GA01 - GA11
CE.28551	VAD.100-GXX1 A-10	100	58	10	17	28	20.5	56	3.5	17.5	14	235	GA01 - GA11
CE.28601	VAD.125-GXX2 A-12	125	61	12	18	31	25.5	76	4	18	15	370	GA02 - GA12 - GW12
CE.28651	VAD.160-GXX2 A-14	160	68	14	20	36	29	78	4	19	18	625	GA02 - GA12 - GW12
CE.28701	VAD.160-GXX5 A-14	160	64	14	23.5	36	25.5	120	4	20	18	760	GA05
CE.28721	VAD.200-GXX2 A-18	200	75	18	24	42	33	79	4.5	21	20.5	980	GA02 - GA12 - GW12
CE.28731	VAD.250-GXX2 A-22	250	81.5	22	28	48	37	80	4.5	24.5	23	1500	GA02 - GA12 - GW12

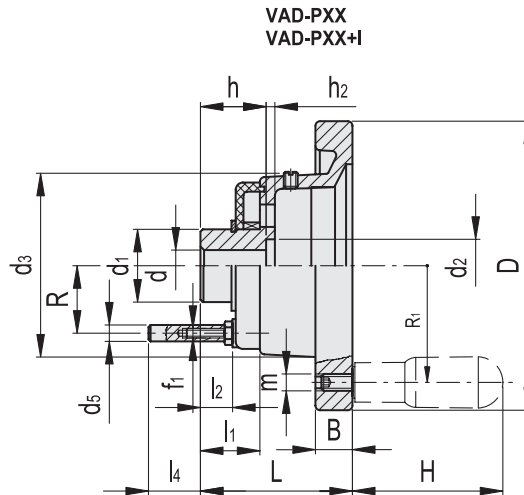
**VAD-GXX+I**

Code	Description	D	L	dh7	h	d1	d2	d3	h2	l1	B	H	m	R1	⚖️	Handwheel/indicator combinations
CE.28511	VAD.80-GXX1 A-10+I	80	48	10	16	26	20.5	56	3.5	15.5	13	45	M6	33.5	200	GA01 - GA11
CE.28561	VAD.100-GXX1 A-10+I	100	58	10	17	28	20.5	56	3.5	17.5	14	45	M6	42.5	270	GA01 - GA11
CE.28611	VAD.125-GXX2 A-12+I	125	61	12	18	31	25.5	76	4	18	15	65	M8	54	440	GA02 - GA12 - GW12
CE.28661	VAD.160-GXX2 A-14+I	160	68	14	20	36	28	78	4	19	18	80	M10	71	705	GA02 - GA12 - GW12
CE.28711	VAD.160-GXX5 A-14+I	160	64	14	23.5	36	25.5	120	4	20	18	80	M10	71	840	GA05
CE.28726	VAD.200-GXX2 A-18+I	200	75	18	24	42	33	79	4.5	21	20.5	90	M10	89	1065	GA02 - GA12 - GW12
CE.28736	VAD.250-GXX2 A-22+I	250	81.5	22	28	48	37	80	4.5	24.5	23	90	M10	113	1595	GA02 - GA12 - GW12

Position indicators



Conversion Table 1 mm = 0.039 inch	
D	
mm	inch
80	3.15
100	3.94
125	4.92
160	6.30



METRIC

VAD-PXX

Code	Description	D	L	dH7	h	d1	d2	d3	d5	f1	h2	l1	l2	l4	B	R	Δ	Handwheel/indicator combinations
CE.28502	VAD.80-PXX1 A-10	80	55	10	22.5	20	20.5	56	6	M4	3.5	18.5	11.5	13.6	13	19	205	PA01 - PA11
CE.28552	VAD.100-PXX1 A-10	100	63.5	10	22.5	20	20.5	56	6	M4	3.5	18.5	11.5	13.6	14	19	265	PA01 - PA11
CE.28602	VAD.125-PXX2 A-12	125	65.5	12	22.5	32	22.5	76	6	M4	4	19	12	13.1	15	28.5	450	PA02 - PA12 - PW12
CE.28652	VAD.160-PXX2 A-14	160	71.5	14	23.5	32	25.5	78	6	M4	4	20	13	12.1	18	28.5	680	PA02 - PA12 - PW12
CE.28702	VAD.160-PXX5 A-14	160	64	14	23.5	32	25.5	120	6	M4	4	20	13	12.1	18	28.5	760	PA05

VAD-PXX+I

Code	Description	D	L	dH7	h	d1	d2	d3	d5	f1	h2	l1	l2	l4	B	H	m	R	R1	Δ	Handwheel/indicator combinations
CE.28512	VAD.80-PXX1 A-10+I	80	55	10	22.5	20	20.5	56	6	M4	3.5	18.5	11.5	13.6	13	45	M6	19	33.5	230	PA01 - PA11
CE.28562	VAD.100-PXX1 A-10+I	100	63.5	10	22.5	20	20.5	56	6	M4	3.5	18.5	11.5	13.6	14	45	M6	19	42.5	300	PA01 - PA11
CE.28612	VAD.125-PXX2 A-12+I	125	65.5	12	22.5	32	22.5	76	6	M4	4	19	12	13.1	15	65	M8	28.5	54	520	PA02 - PA12 - PW12
CE.28662	VAD.160-PXX2 A-14+I	160	71.5	14	23.5	32	25.5	78	6	M4	4	20	13	12.1	18	80	M10	28.5	71	760	PA02 - PA12 - PW12
CE.28712	VAD.160-PXX5 A-14+I	160	64	14	23.5	32	25.5	120	6	M4	4	20	13	12.1	18	80	M10	28.5	71	840	PA05