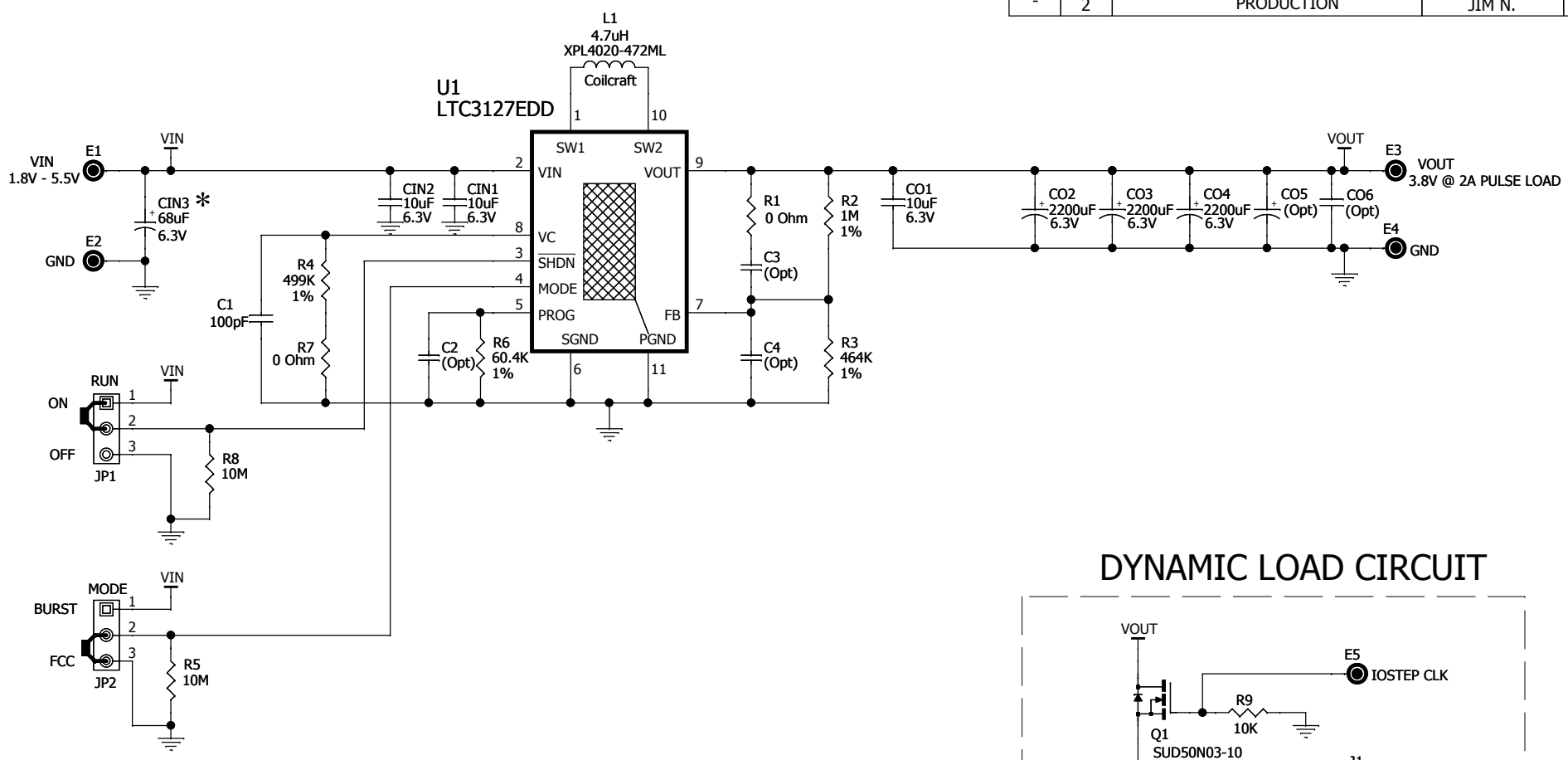
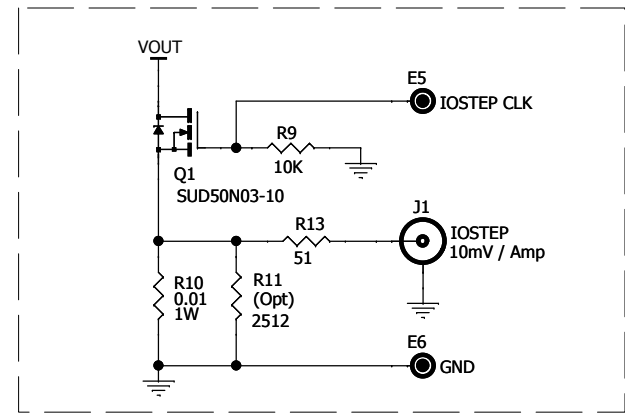



REVISION HISTORY				
ECO	REV	DESCRIPTION	APPROVED	DATE
-	1	PRODUCTION	JIM N.	01-21-10
-	2	PRODUCTION	JIM N.	04-06-10



### DYNAMIC LOAD CIRCUIT



\* FOR DEMO BOARD USE ONLY

CUSTOMER NOTICE		APPROVALS			1630 McCarthy Blvd. Milpitas, CA 95035 www.linear.com Phone: (408)432-1900 Fax: (408)434-0507 <small>LTC CONFIDENTIAL - FOR CUSTOMER USE ONLY</small>	
LINEAR TECHNOLOGY HAS MADE A BEST EFFORT TO DESIGN A CIRCUIT THAT MEETS CUSTOMER-SUPPLIED SPECIFICATIONS; HOWEVER, IT REMAINS THE CUSTOMER'S RESPONSIBILITY TO VERIFY PROPER AND RELIABLE OPERATION IN THE ACTUAL APPLICATION. COMPONENT SUBSTITUTION AND PRINTED CIRCUIT BOARD LAYOUT MAY SIGNIFICANTLY AFFECT CIRCUIT PERFORMANCE OR RELIABILITY. CONTACT LINEAR TECHNOLOGY APPLICATIONS ENGINEERING FOR ASSISTANCE.  C:\ORCADWIN\CAPTURE\1451A\1451A_REV2.DSN  THIS CIRCUIT IS PROPRIETARY TO LINEAR TECHNOLOGY AND SUPPLIED FOR USE WITH LINEAR TECHNOLOGY PARTS.		PCB DES.	R8		TITLE: SCHEMATIC	SIZE
		APP ENG.	JIM N.	HIGH EFFICIENCY BUCK-BOOST DC/DC CONVERTER WITH ADJUSTABLE INPUT CURRENT FOR PULSE LOADS	N/A	LTC3127EDD
						DEMO CIRCUIT 1451A
					REV.	2
		SCALE = NONE		DATE: Thursday, June 17, 2010	SHEET 1 OF 1	