



BeStar Technologies Inc.

Address: 761 N. 17th Street Unit 4, St. Charles, IL 60174

Tel : 847-261-2850 E-mail : sales@bestartech.com Web : www.bestartech.com

Document Number : 1804-89
Revision : A1
Total Pages : 6
Prepare by : Loki, **Lo**
Date : 10 April, 2018

SoniCrest Brand Acoustic Components

www.jlsonicrest.com

Document Type : Specification
Product Type : Speaker Sound Generator Component
Part Number : HSR13Z-32

A1 - New issue created by Loki, Lo on 10 Apr., 2018		

This material is the property of BeStar Technologies Inc.
Unauthorized copying or use of this material is prohibited.

1. Purpose and Scope

This document contains both general requirements, qualification requirements, and those specific electrical, mechanical requirements for this part.

2. Description

Ø13mm speaker sound generator - dynamic receiver, RoHS compliant.

3. Application

Telecommunication Equipment, Computers and Peripherals, etc.

4. Component Requirement

4.1. General Requirement

4.1.1. Operating Temperature Range : -20°C to +60°C

4.1.2. Storage Temperature Range : -30°C to +70°C

4.2. Electrical Requirement

4.2.1. Coil Impedance : $32 \pm 15\% \Omega$

4.2.2. Rated Power : 10mW

4.2.3. Maximum Power : 20mW

4.2.4. Sensitivity at 1KHz : $101 \pm 3 \text{ dB}$
(179mV, based on IEC-R318 standard)

4.2.5. Total Harmonic Distortion at 1KHz, 1mW : $\leq 5\%$

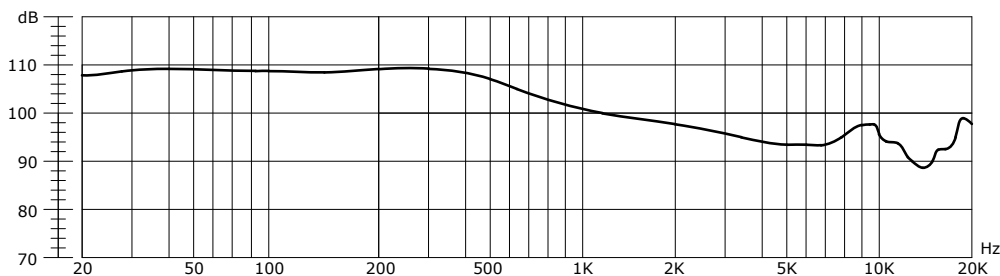


Figure 1. Frequency Response

4.3. Mechanical Requirement

4.3.1. Layout and Dimension : See Section 6, Figure 3

4.4. Test Setup

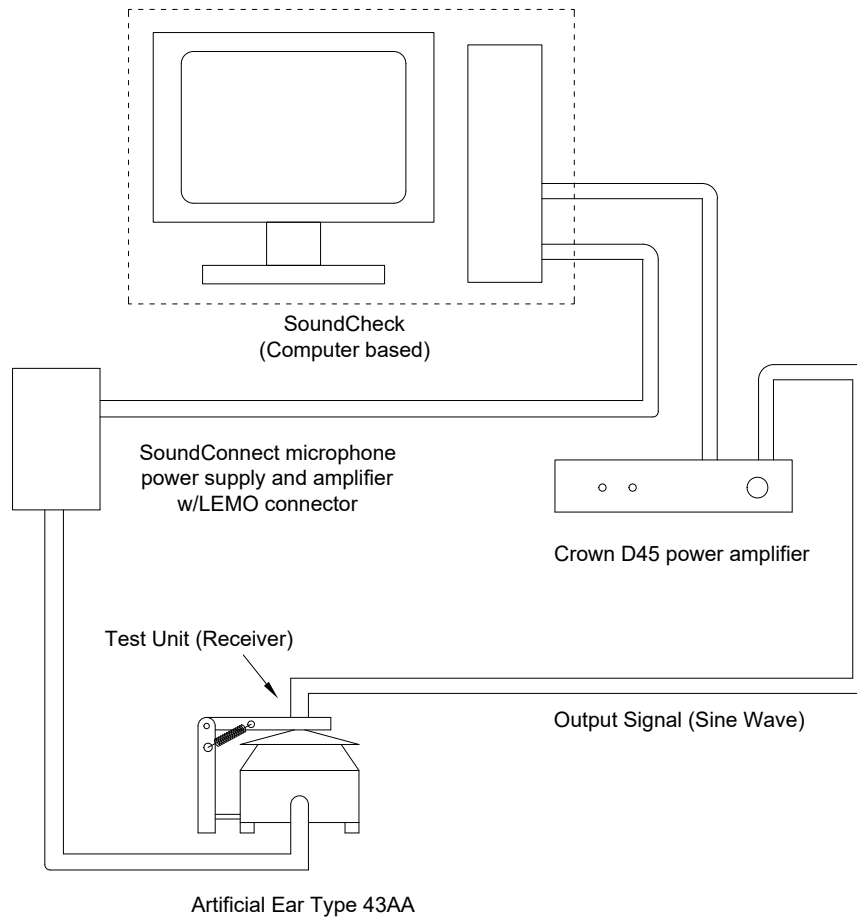


Figure 2. Test setup

Notes : Apply 126mV sinusoidal signal from SoundCheck (Computer based) and Crown D45 power amplifier. Measure sensitivity with Artificial Ear Type 43AA from the test unit with specified ear piece. The microphone should be calibrated on a daily basis using an acoustic calibrator recommended by the manufacturer.

5. Reliability Test

- 5.1. High Temperature** : Subject samples to $+70 \pm 2$ °C for 96 hours. Components must be fully stabilized at temperature extremes before data is taken, which may require up to a 2 hours soak.
- 5.2. Low Temperature** : Subject samples to -30 ± 2 °C for 96 hours. Components must be fully stabilized at temperature extremes before data is taken, which may require up to a 2 hours soak.
- 5.3. Static Humidity** : Precondition at room temperature for 1 hour. Then expose to $+40 \pm 2$ °C with 90% ~ 95% relative humidity for 96 hours. Finally dry at room ambient for 2 hours before taking final measurement.
- 5.4. Temperature Shock** : Each temperature cycle shall consist of 45 minutes at $+70$ °C and 45 minutes at -30 °C with 1 ~ 3°C per minutes transition time between temperature extremes. Test duration is for 6 cycles.
- 5.5. Drop Test** : Drop samples naturally from the height of 1m onto a 5mm thickness wooden board for 3 times.
- 5.6. Load Test** : Subject samples to room condition for 96 hours under rated power, white noise. Components must be fully stabilized before data is taken, which may require up to a 2 hours soak.

6. Mechanical Layout

Unit : mm

Tolerance : Linear XX.X = ±0.3
 XX.XX = ±0.05
 Angular = ±0.25°

(unless otherwise specified)

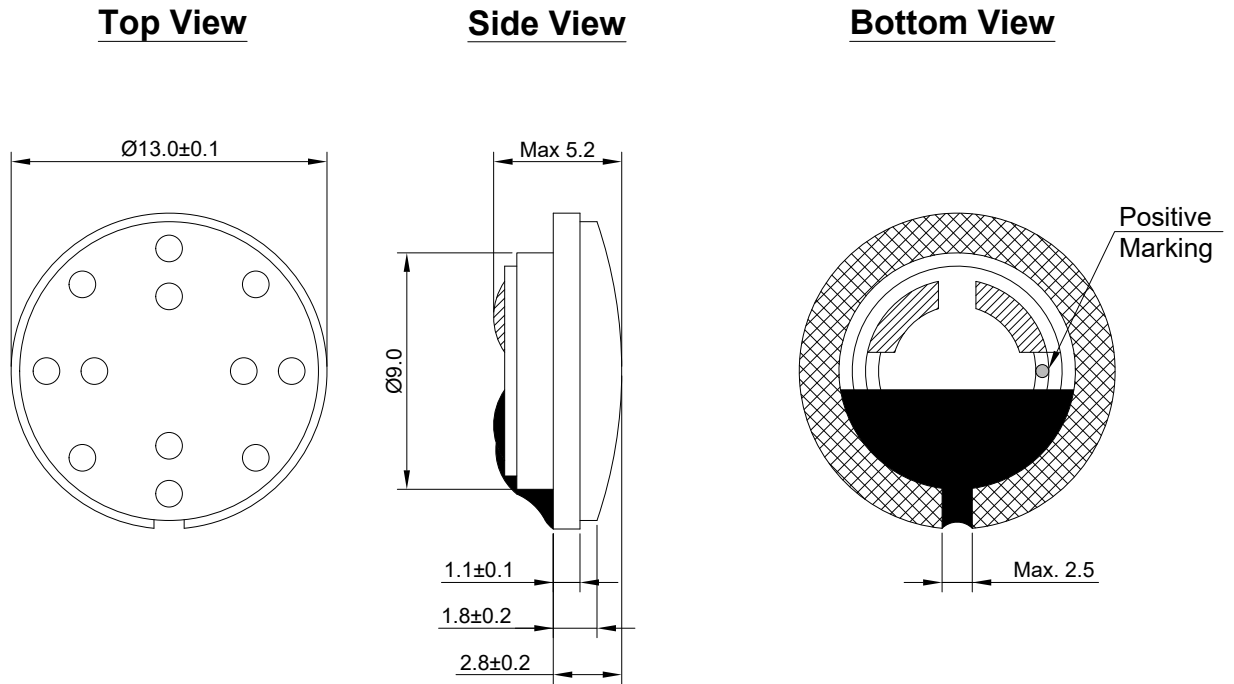


Figure 3. HSR13Z-32 Mechanical Layout