

# LUXEON XR-5050 SQR

High performance LED modules with extreme efficacy for robust lighting designs

LUXEON XR-5050 SQR products are LED modules optimized for lighting applications requiring high efficacy LED arrays mounted on a rigid and thermally conductive substrate. These versatile building blocks feature 8, 12 or 16 LUXEON 5050 Square LEDs on a MCPCB substrate, electrical connectors, and are designed for ease of system integration, faster time to market, and use with industry standard optics. LUXEON XR-5050 SQR is a complete solution when used in combination with standard third party optics and heatsinks.



## FEATURES AND BENEFITS

Efficacy and luminous flux of up to 180lm/W and 5600lm available

Available CCT/CRI combinations: 70CRI (2200K, 2700K, 3000K and 4000K) and 80CRI (2700K, 3000K and 4000K)

Superior board level color control of  $\leq 3\text{SDCM}$

Excellent case to heatsink thermal resistance of  $3.5\text{K/W}_{\text{th}}$

Design compatible with standard third party optics

Features LUXEON 5050 SQR LEDs with industry-leading efficacy and lumens in multi-die, high power package

5-year guarantee

## PRIMARY APPLICATIONS

High Bay

Low Bay

Urban Streetlights

# Table of Contents

<b>General Product Information</b> .....	<b>2</b>
Product Test Conditions .....	2
Part Number Nomenclature .....	2
Lumen Maintenance .....	2
Environmental Compliance .....	2
<b>Performance Characteristics</b> .....	<b>3</b>
Product Selection Guide .....	3
Electrical Characteristics .....	3
Absolute Maximum Ratings .....	4
Application Information .....	4
Recommended Wire .....	4
<b>Characteristic Curves</b> .....	<b>5</b>
Spectral Power Distribution Characteristics .....	5
Light Output Characteristics .....	5
Efficacy Characteristics .....	6
<b>Mechanical Dimensions</b> .....	<b>8</b>
<b>Packaging Information</b> .....	<b>11</b>

# General Product Information

## Product Test Conditions

LUXEON XR-5050 SQR LEDs are tested using a forward DC drive current of 700mA and a board temperature,  $T_c$ , of 85°C. The LEDs are electrically configured such that each LED is driven at equal current.

## Part Number Nomenclature

Part numbers for LUXEON XR-5050 SQR follow the convention below:

L 2 1 3 – **V V Z Z 0 C C M D D 0 0 1**

Where:

- V V** – designates nominal ANSI CCT (22=2200K, 27=2700K, 30=3000K, 40=4000K)
- Z Z** – designates minimum CRI (70=70CRI, 80=80CRI)
- C C** – designates number of emitters (8=8 emitters, 12=12 emitters, 16=16 emitters)
- D D** – designates internal Lumileds program code.
- 0 1** – designates internal Lumileds program code.

Therefore, a LUXEON XR-5050 SQR 3000K 80CRI with 12 emitters, will have the following part number:

L 2 1 3 – **3 0 8 0 0 1 2 M R H 0 0 1**

## Lumen Maintenance

Please contact your local Sales Representative or Lumileds Technical Solutions Manager for more information about the long-term performance of this product.

## Environmental Compliance

Lumileds LLC is committed to providing environmentally friendly products to the solid-state lighting market. LUXEON XR-5050 SQR is compliant to the European Union directives on the restriction of hazardous substances in electronic equipment, namely the RoHS Directive 2011/65/EU and REACH Regulation (EC) 1907/2006. Lumileds LLC will not intentionally add the following restricted materials to its products: lead, mercury, cadmium, hexavalent chromium, polybrominated biphenyls (PBB) or polybrominated diphenyl ethers (PBDE).

# Performance Characteristics

## Product Selection Guide

Table 1. Product performance of LUXEON XR-5050 SQR at 700mA, T<sub>c</sub>=85°C.

NOMINAL CCT	MINIMUM CRI <sup>[1, 2]</sup>	LUMINOUS FLUX <sup>[1]</sup> (lm)		TYPICAL LUMINOUS EFFICACY (lm/W)	ENERGY EFFICIENCY CLASS	PART NUMBER
		MINIMUM	TYPICAL			
		700mA				
2200K	70	2272	2426	156	E	L213-2270008MRH001
2700K	70	2477	2648	171	D	L213-2770008MRH001
3000K	70	2563	2751	177	D	L213-3070008MRH001
4000K	70	2664	2851	184	D	L213-4070008MRH001
2700K	80	2210	2363	152	E	L213-2780008MRH001
3000K	80	2272	2443	157	E	L213-3080008MRH001
4000K	80	2366	2535	163	E	L213-4080008MRH001
2200K	70	3409	3639	156	E	L213-2270012MRH001
2700K	70	3716	3972	171	D	L213-2770012MRH001
3000K	70	3844	4126	177	D	L213-3070012MRH001
4000K	70	3996	4276	184	D	L213-4070012MRH001
2700K	80	3315	3544	152	E	L213-2780012MRH001
3000K	80	3409	3665	157	E	L213-3080012MRH001
4000K	80	3549	3803	163	E	L213-4080012MRH001
2200K	70	4545	4852	156	E	L213-2270016MRH001
2700K	70	4955	5297	171	D	L213-2770016MRH001
3000K	70	5126	5502	177	D	L213-3070016MRH001
4000K	70	5328	5702	184	D	L213-4070016MRH001
2700K	80	4420	4725	152	E	L213-2780016MRH001
3000K	80	4545	4886	157	E	L213-3080016MRH001
4000K	80	4732	5070	163	E	L213-4080016MRH001

**Notes for Table 1:**

1. Lumileds maintains a tolerance of ±2 on CRI and ±7% on luminous flux measurements.
2. Typical CRI is approximately 2 points higher than the minimum CRI specified, but this is not guaranteed.

## Electrical Characteristics

Table 2. Electrical characteristics for LUXEON XR-5050 SQR at 700mA, T<sub>c</sub>=85°C.

PART NUMBER	FORWARD VOLTAGE <sup>[1]</sup> (V <sub>f</sub> )		
	MINIMUM	TYPICAL	MAXIMUM
L213-xxxx008MRH001	21.0	22.2	23.4
L213-xxxx012MRH001	31.5	33.3	35.1
L213-xxxx016MRH001	41.9	44.4	46.7

**Notes for Table 2:**

1. Lumileds maintains a tolerance of ±0.1V on forward voltage measurements.

# Absolute Maximum Ratings

Table 3. Absolute maximum ratings for LUXEON XR-5050 SQR.

PARAMETER	MAXIMUM PERFORMANCE
DC Forward Current <sup>[1]</sup>	2000mA
LED Junction Temperature <sup>[1]</sup> (DC & Pulse)	125°C
ESD Sensitivity	8kV (HBM)
Board at T <sub>c</sub> point	85°C <sup>[2]</sup>
Operating Case Temperature at T <sub>c</sub> point <sup>[3]</sup>	-40 to 85°C

**Notes for Table 3:**

1. Proper current derating must be observed to maintain the junction temperature below the maximum allowable junction temperature.
2. For more details, please refer to Application Brief AB311.
3. Proper current derating must be observed to maintain the T<sub>c</sub> temperature below the maximum allowable T<sub>c</sub> temperature.

# Application Information

Table 4. Approbation for LUXEON XR-5050 SQR.

ITEM	COMPLIANT TO
Test and Certification	CE
	ENEC
	UL8750
Declaration	RoHS
	REACH

# Recommended Wire

Table 5. Recommended Wire for LUXEON XR-5050 SQR. <sup>[1]</sup>

RECOMMENDED WIRE	STRIP LENGTH
AWG 24 - 18	7mm to 9mm

**Note for Table 5:**

1. Please refer to Application Brief AB311 for installation guide.

# Characteristic Curves

## Spectral Power Distribution Characteristics

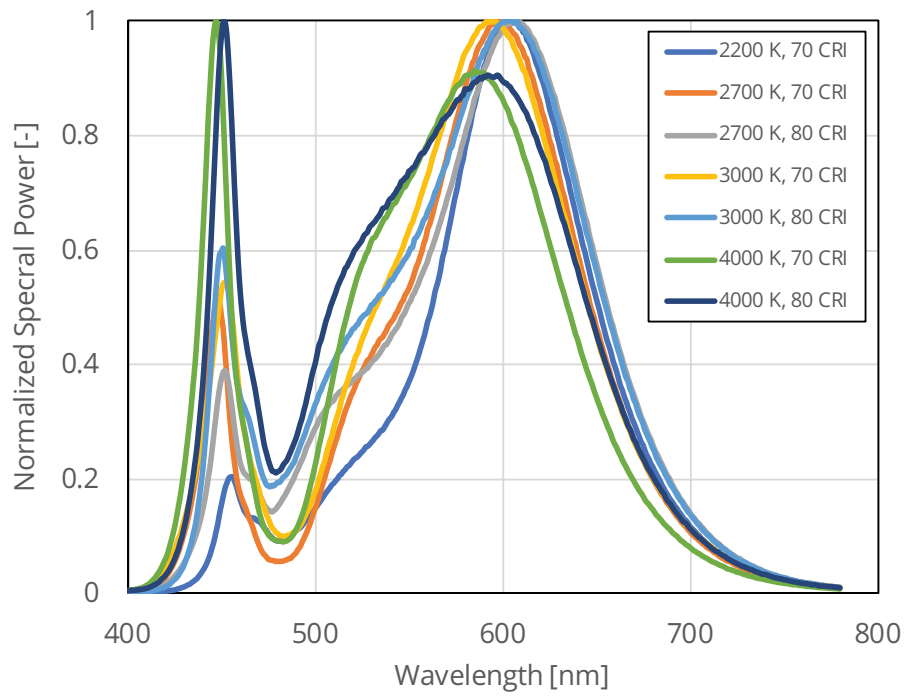


Figure 1. Typical normalized spectral power vs. wavelength for LUXEON XR-5050 SQR at 700mA,  $T_c=85^{\circ}\text{C}$ .

## Light Output Characteristics

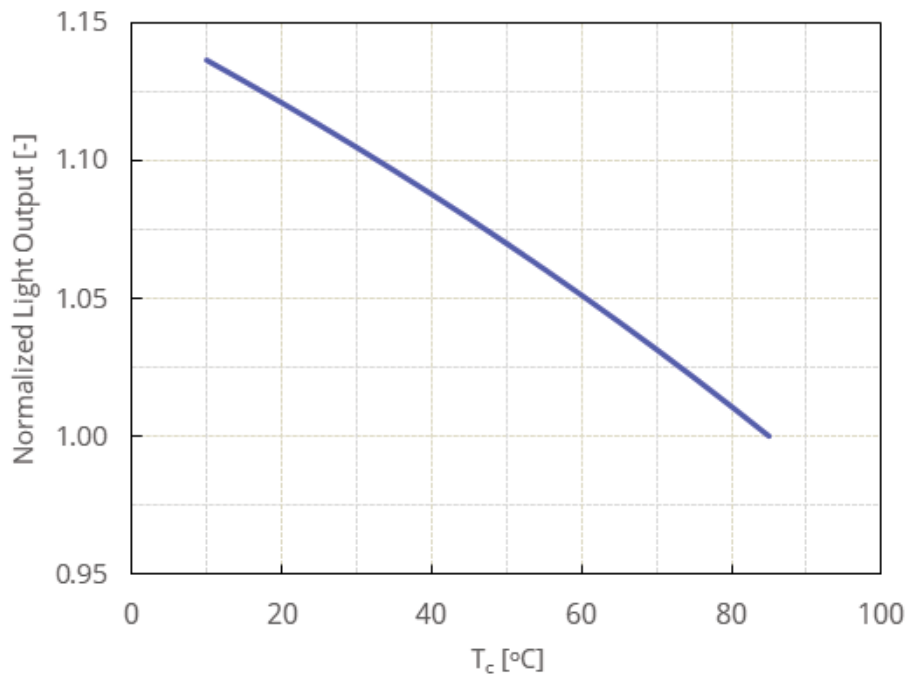


Figure 2. Typical normalized light output vs. case temperature for LUXEON XR-5050 SQR at 700mA.

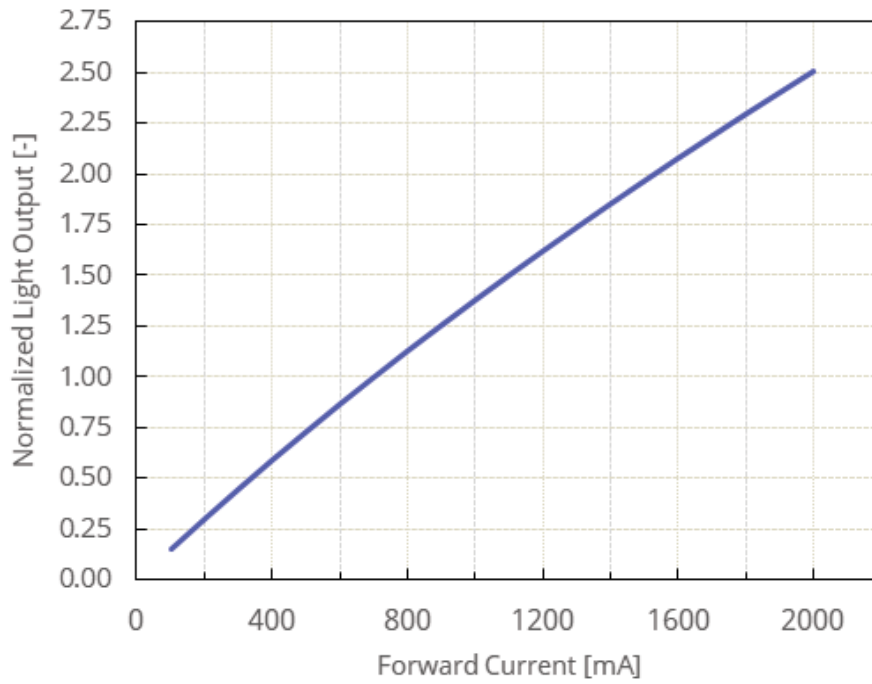


Figure 3. Typical normalized light output vs. forward current for LUXEON XR-5050 SQR at  $T_c=85^\circ\text{C}$ .

## Efficacy Characteristics

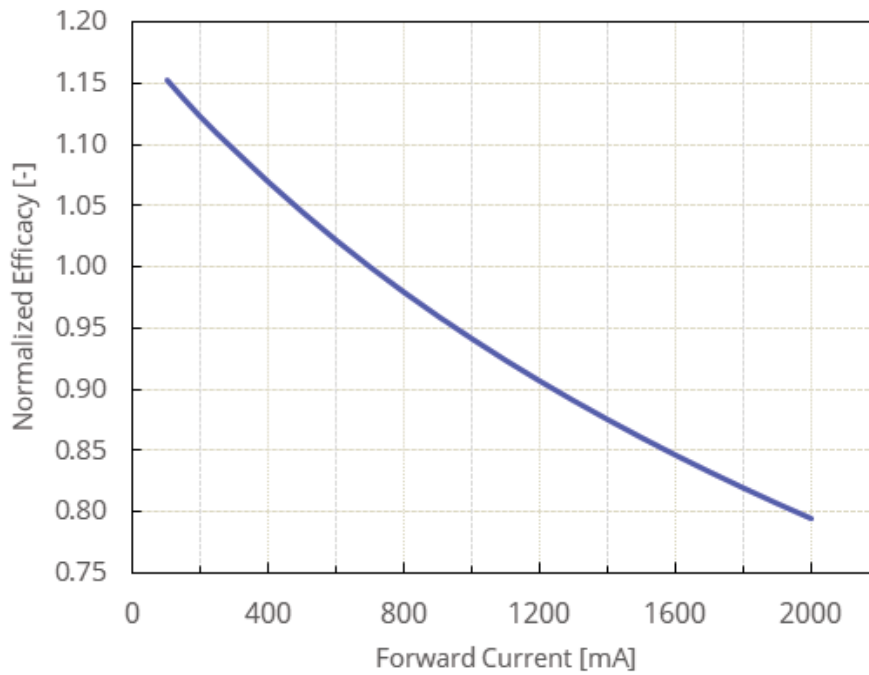


Figure 4. Typical normalized efficacy vs. forward current for LUXEON XR-5050 SQR at  $T_c=85^\circ\text{C}$ .

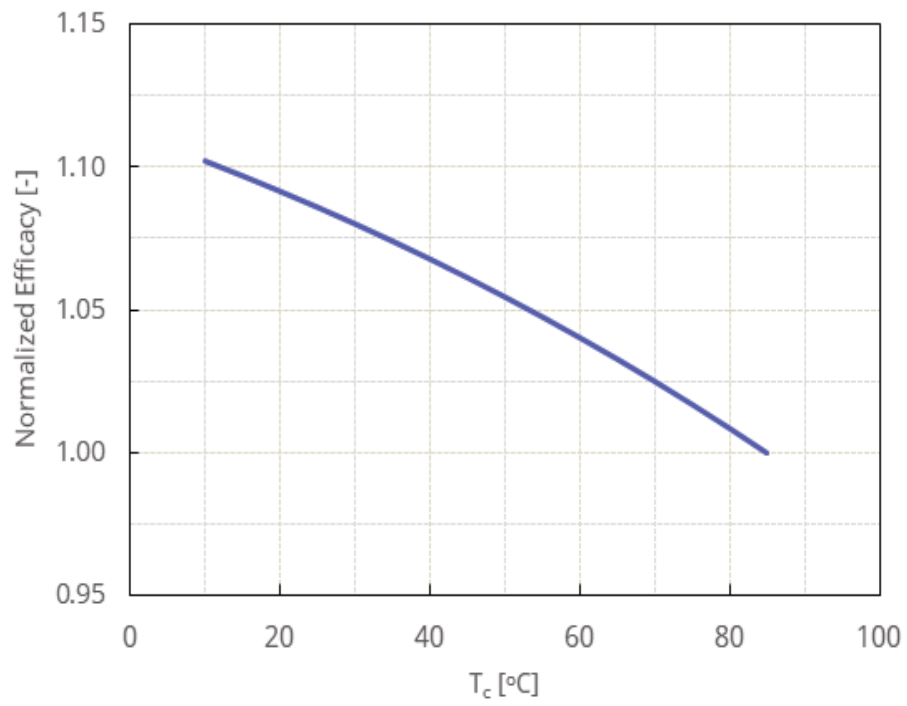


Figure 5. Typical efficacy vs. case temperature for LUXEON XR-5050 SQR at 700mA.



# Mechanical Dimensions

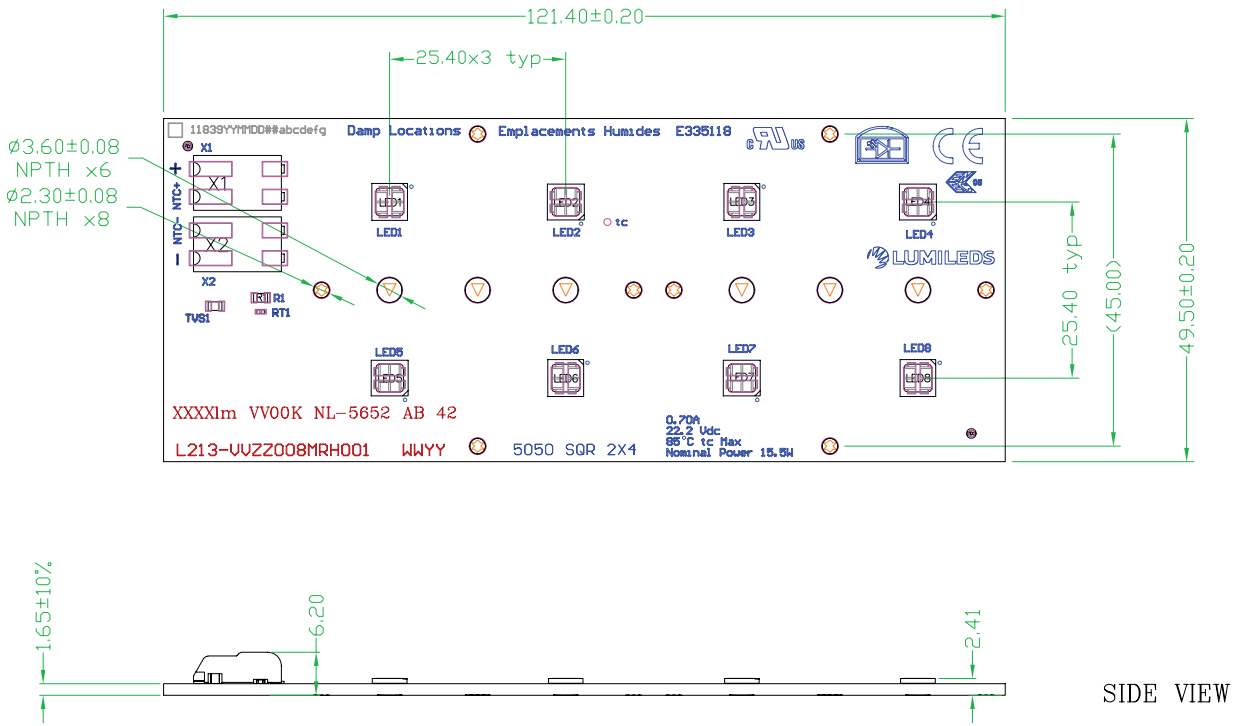


Figure 6. Mechanical dimensions for L213-xxxx008MRH001.

- Notes for Figure 6:
1. Drawings are not to scale.
  2. All dimensions are in millimeters.
  3.  $t_c$  in drawing is the same as  $T_c$ .

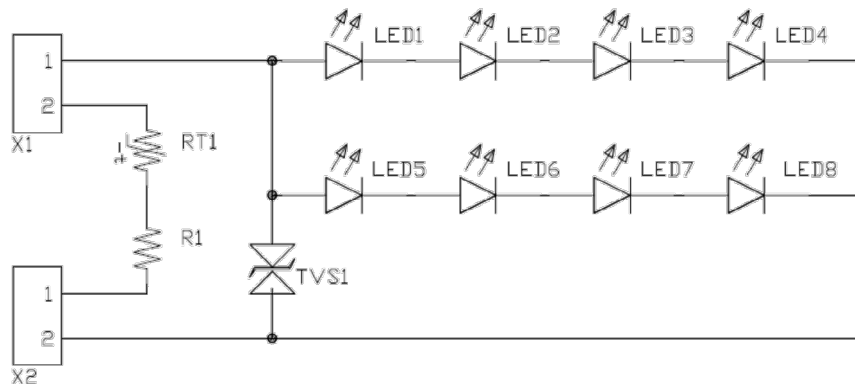


Figure 7. Electric circuit diagram for L213-xxxx008MRH001.

Table 6. Bill of Materials for L213-xxxx008MRH001.

COMPONENT	QUANTITY
LED: LUXEON 5050 Square LES	8
PCB: MCPCB	1
2-pole Connectors	2
Thermistor 15k $\Omega$	1
Resistor 2k $\Omega$	1
Diode	1

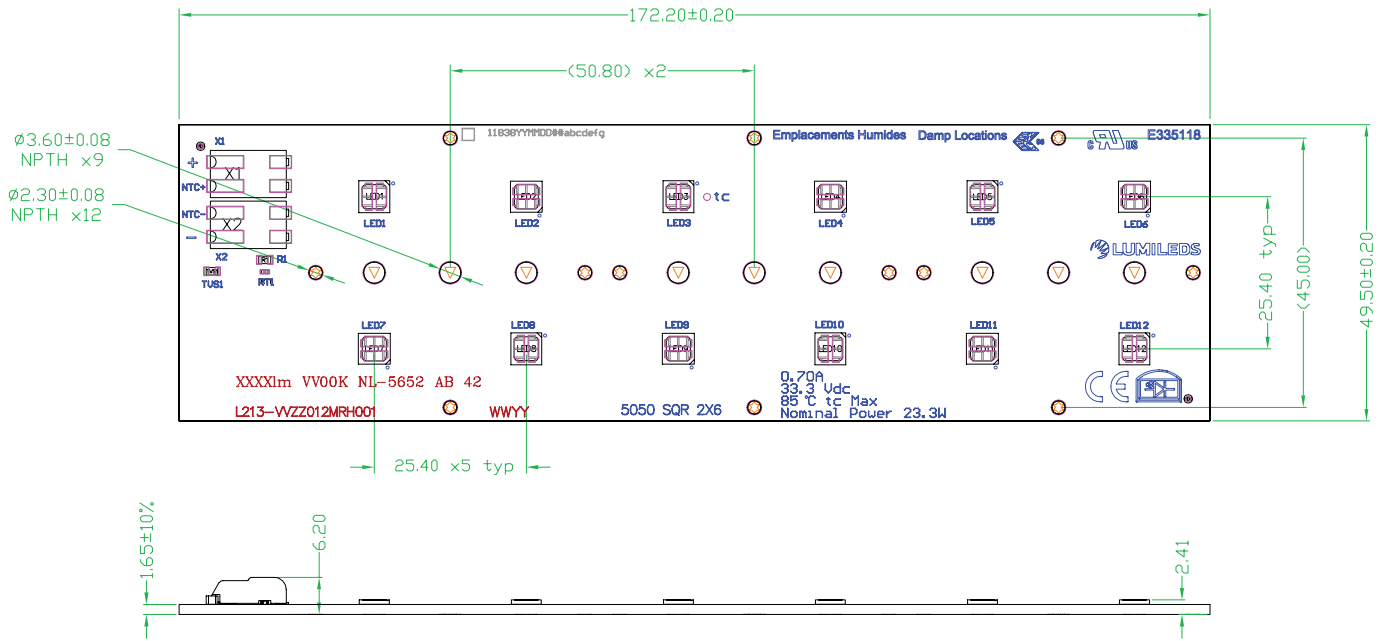


Figure 8. Mechanical dimensions for L213-xxxx012MRH001.

- Notes for Figure 8:
1. Drawings are not to scale.
  2. All dimensions are in millimeters.
  3.  $t_c$  in drawing is the same as  $T_c$ .

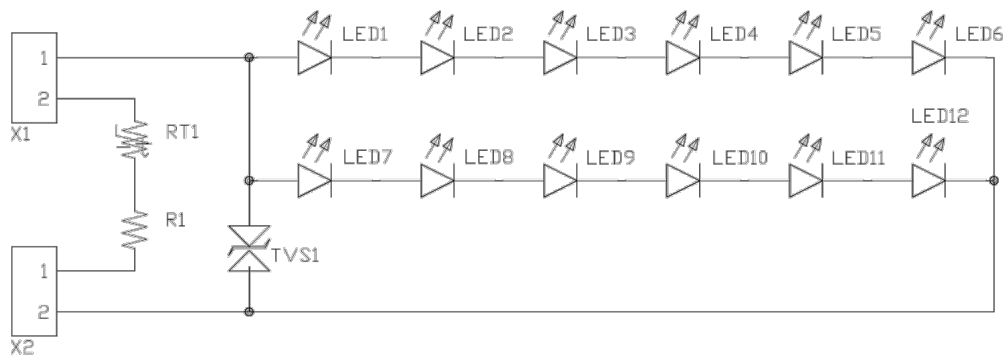


Figure 9. Electric circuit diagram for L213-xxxx012MRH001.

Table 7. Bill of Materials for L213-xxxx012MRH001.

COMPONENT	QUANTITY
LED: LUXEON 5050 Square LES	12
PCB: MCPCB	1
2-pole Connectors	2
Thermistor 15k $\Omega$	1
Resistor 2k $\Omega$	1
Diode	1

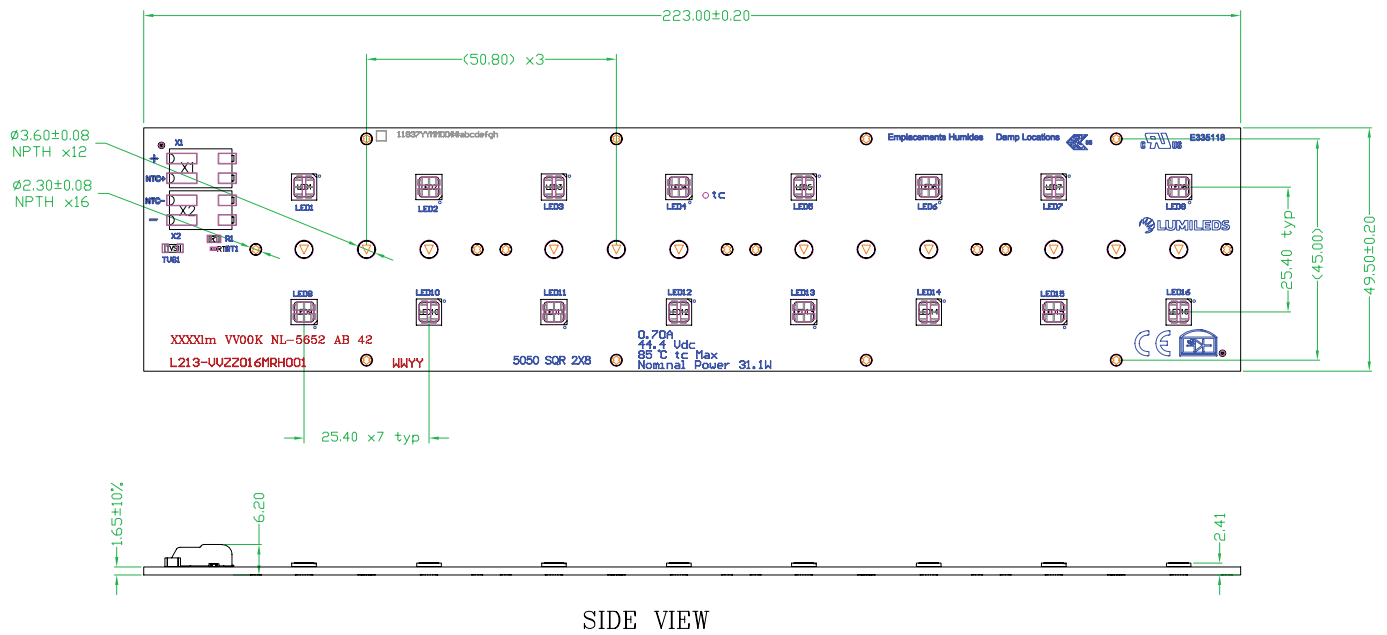


Figure 10. Mechanical dimensions for L213-xxxx016MRH001.

- Notes for Figure 10:
1. Drawings are not to scale.
  2. All dimensions are in millimeters.
  3.  $t_c$  in drawing is the same as  $T_c$ .

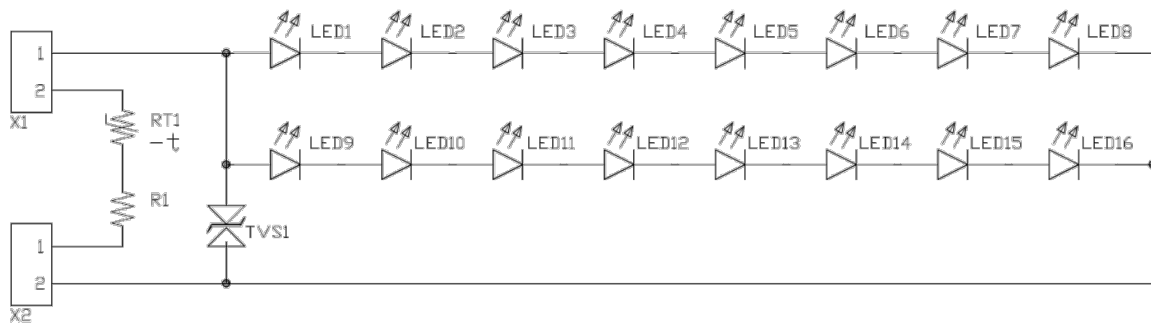


Figure 11. Electric circuit diagram for L213-xxxx016MRH001.

Table 8. Bill of Materials for L213-xxxx016MRH001.

COMPONENT	QUANTITY
LED: LUXEON 5050 Square LES	16
PCB: MCPCB	1
2-pole Connectors	2
Thermistor 15kΩ	1
Resistor 2kΩ	1
Diode	1

# Packaging Information

Table 9. Packing information for LUXEON XR-5050 SQR.

PART NUMBER	QUANTITY PER TRAY	TRAY QUANTITY PER BOX	STANDARD PACKING INCREMENT, SPI	SHIPPING BOX DIMENSION, L x W x H (MM)
L213-xxxx008MRH001	20	5	80	398 x 390 x 100
L213-xxxx012MRH001	20	5	80	390 x 382 x 100
L213-xxxx016MRH001	20	5	80	587 x 387 x 100

## About Lumileds

Companies developing automotive, mobile, IoT and illumination lighting applications need a partner who can collaborate with them to push the boundaries of light. With over 100 years of inventions and industry firsts, Lumileds is a global lighting solutions company that helps customers around the world deliver differentiated solutions to gain and maintain a competitive edge. As the inventor of Xenon technology, a pioneer in halogen lighting and the leader in high performance LEDs, Lumileds builds innovation, quality and reliability into its technology, products and every customer engagement. Together with its customers, Lumileds is making the world better, safer, more beautiful—with light.

To learn more about our lighting solutions, visit [lumileds.com](http://lumileds.com).



©2022 Lumileds Holding B.V. All rights reserved.  
LUXEON is a registered trademark of the Lumileds Holding B.V. in the United States and other countries.

[lumileds.com](http://lumileds.com)

Neither Lumileds Holding B.V. nor its affiliates shall be liable for any kind of loss of data or any other damages, direct, indirect or consequential, resulting from the use of the provided information and data. Although Lumileds Holding B.V. and/or its affiliates have attempted to provide the most accurate information and data, the materials and services information and data are provided "as is," and neither Lumileds Holding B.V. nor its affiliates warrants or guarantees the contents and correctness of the provided information and data. Lumileds Holding B.V. and its affiliates reserve the right to make changes without notice. You as user agree to this disclaimer and user agreement with the download or use of the provided materials, information and data. A listing of Lumileds product/patent coverage may be accessed at [lumileds.com/patents](http://lumileds.com/patents).