

Customer Information Sheet

DRAWING No.: M50-310XX45R

SHEET 3 OF 4

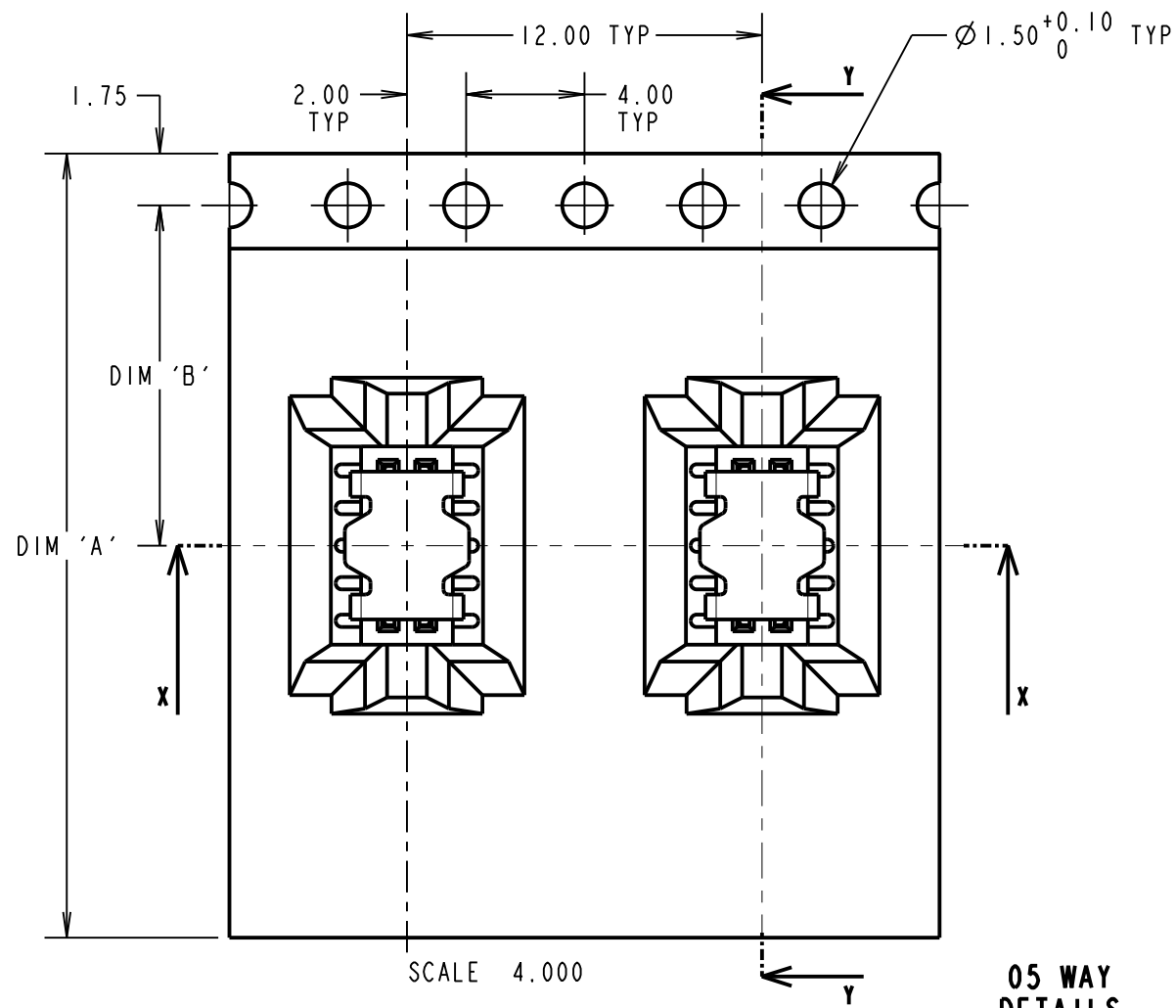
IF IN DOUBT - ASK

©

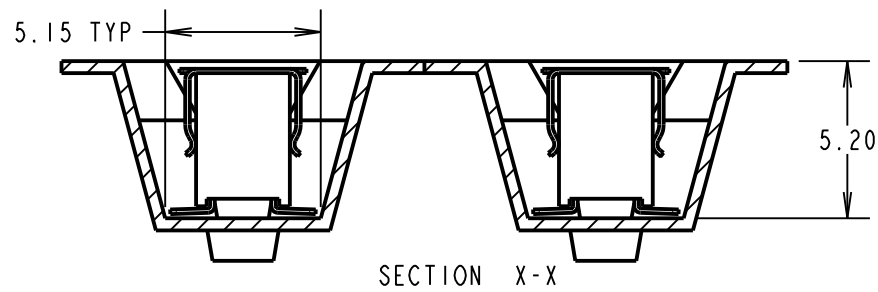
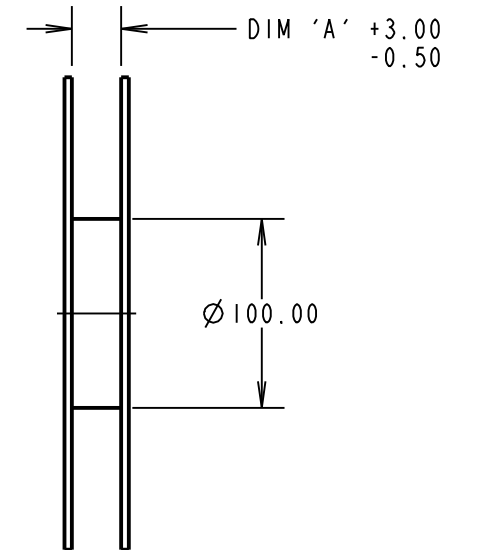
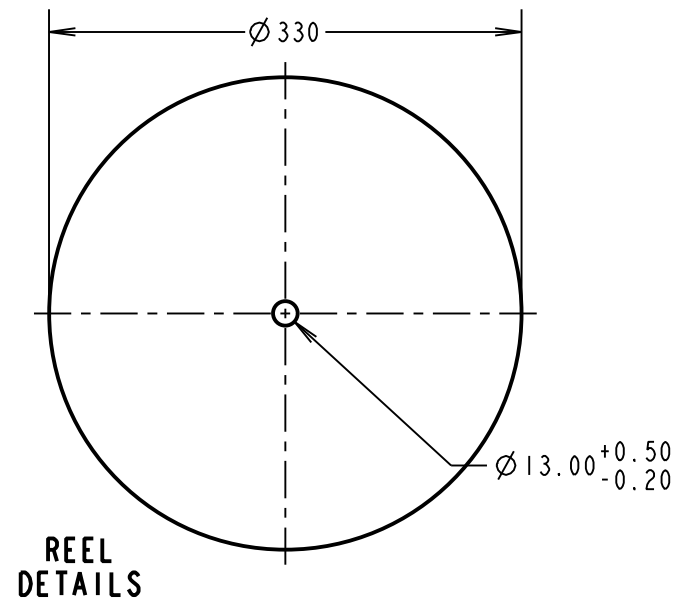
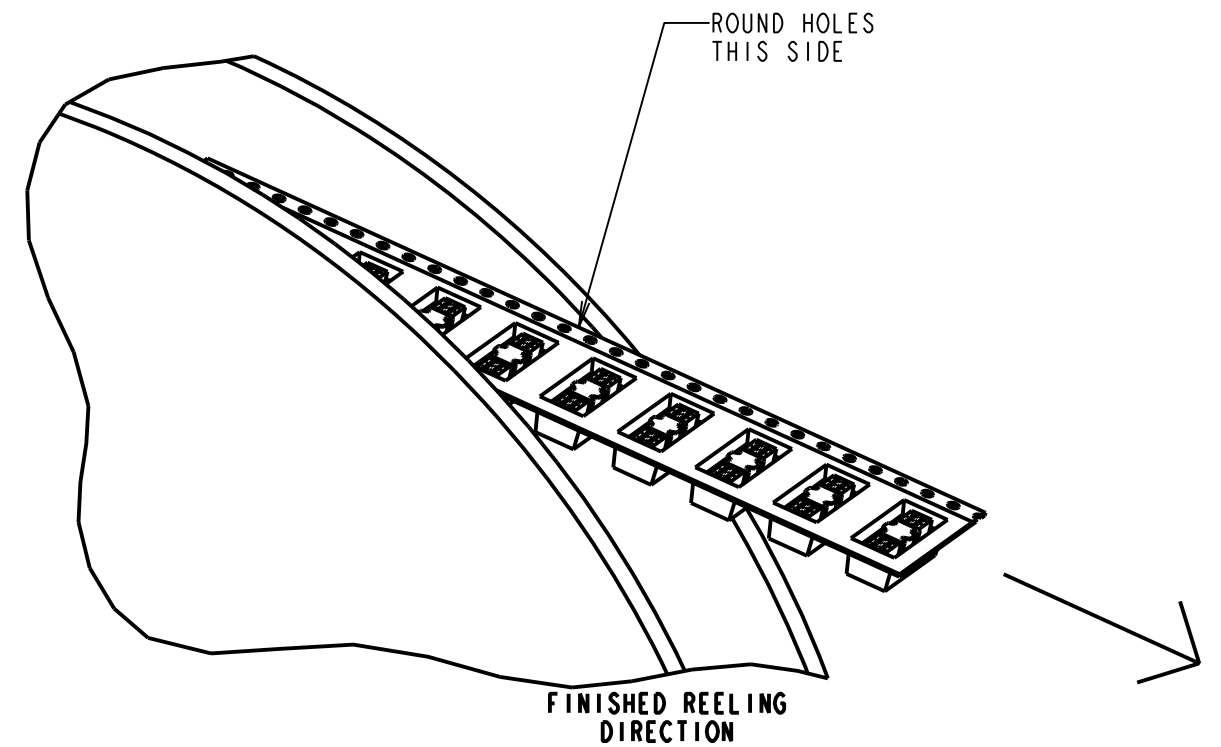
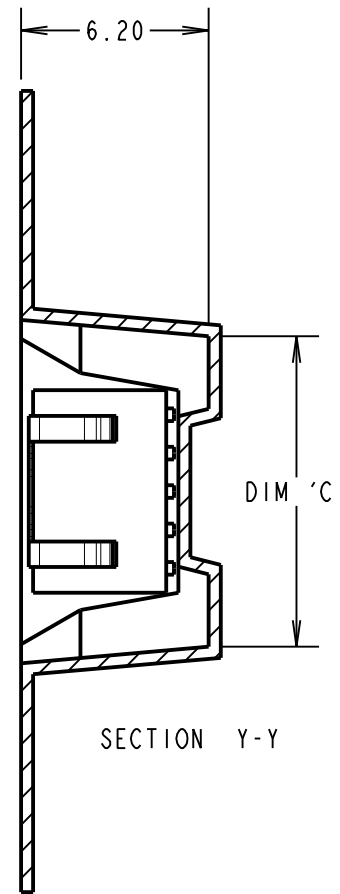
NOT TO SCALE

THIRD ANGLE PROJECTION

ALL DIMENSIONS IN mm



05 WAY
DETAILS



- NOTES:
1. FOR CONNECTOR DETAILS, SEE SHEET 4.
2. TAPE & REEL IS IN ACCORDANCE WITH EIA-481 (ELECTRONIC INDUSTRIES ASSOCIATION).
3. PICK & PLACE CAP IS THE SAME FOR ALL SIZES.

PART NUMBER	DIM 'A' ± 0.30	DIM 'B'	DIM 'C'	QTY PER REEL
M50-3100545R	24.00	11.50	10.50	900
M50-3101045R	24.00	11.50	13.30	1000
M50-3102045R	44.00	20.20	29.55	900
M50-3102545R	56.00	26.20	36.50	800

ORDER CODE:
M50-310XX45R

No. OF CONTACTS PER ROW: _____
05, ~~10~~, ~~20~~, ~~25~~

FINISH: _____
GOLD FLASH OVER NICKEL

RA	5	18.08.20	30141
NAME	ISS.	DATE	CN/CO
APPROVED:		R.ALEXANDER	
CHECKED:		S.FLOWER	
DRAWN:		R.ADDE	
CUSTOMER REF.:			
ASSEMBLY DRG:			

HARWIN
www.harwin.com
technical@harwin.com

THIS DRAWING AND ANY INFORMATION OR DESCRIPTIVE MATTER SET OUT HEREON ARE CONFIDENTIAL AND COPYRIGHT PROPERTY OF THE HARWIN GROUP AND MUST NOT BE DISCLOSED, LOANED, COPIED OR USED FOR MANUFACTURING, TENDERING OR FOR ANY OTHER PURPOSE WITHOUT THEIR WRITTEN PERMISSION.

TOLERANCES
X. = ± 1 mm
X.X = ± 0.50 mm
X.XX = ± 0.20 mm
X.XXX = ± 0.01 mm
ANGLES = $\pm 5^\circ$
UNLESS STATED

MATERIAL: SEE ABOVE
FINISH: SEE ABOVE
S/AREA: mm²

TITLE: 1.27mm PITCH DIL VERTICAL SMT SOCKET ASSY IN TAPE & REEL WITH PICK AND PLACE CAP
DRAWING NUMBER: **M50-310XX45R**
SHT 3 OF 4

Customer Information Sheet

DRAWING No.: M50-310XX45R

SHEET 4 OF 4

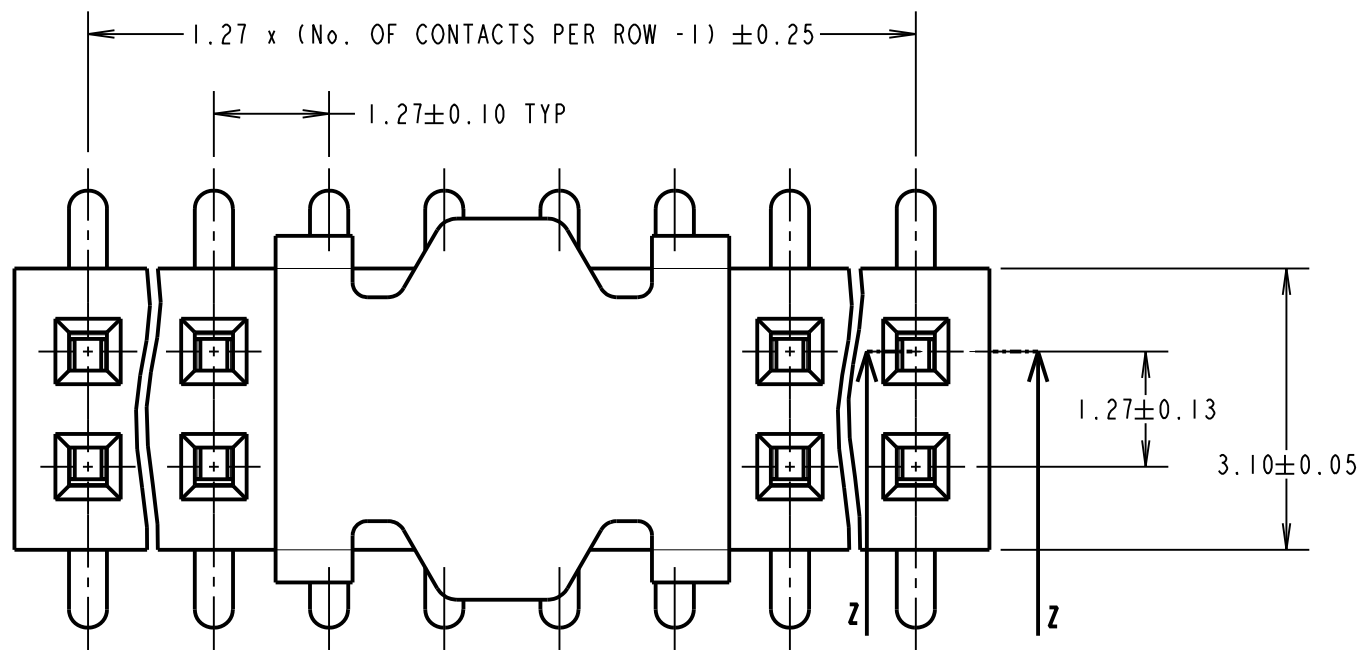
IF IN DOUBT - ASK

©

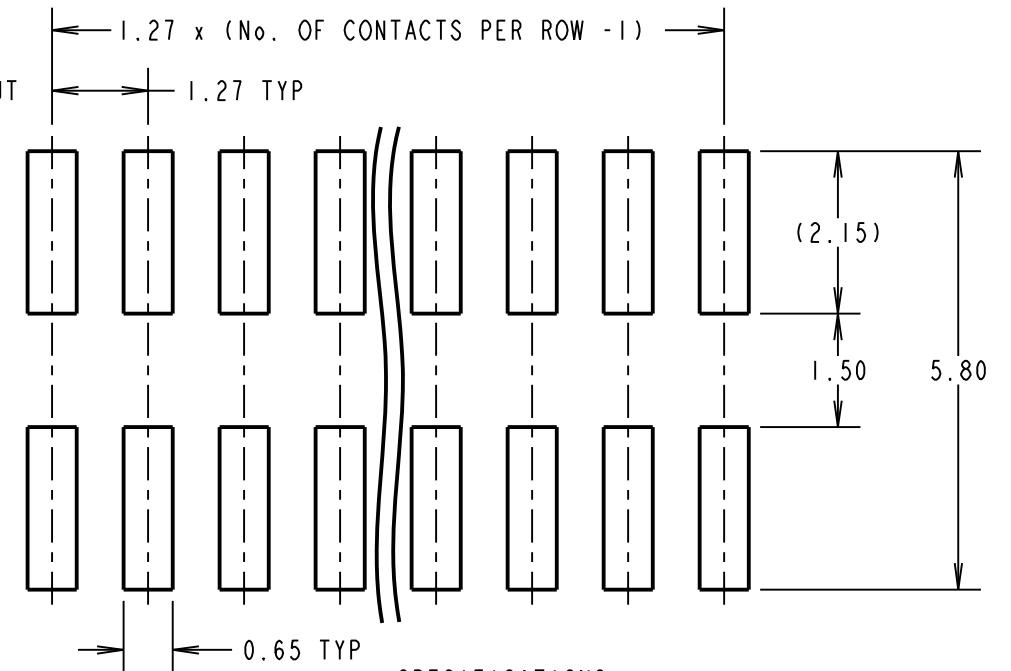
NOT TO SCALE

THIRD ANGLE PROJECTION

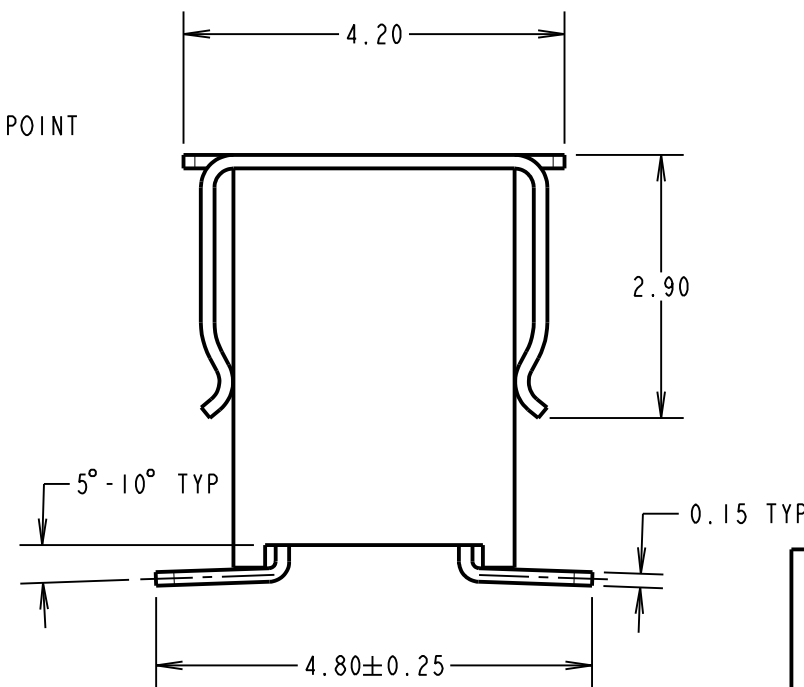
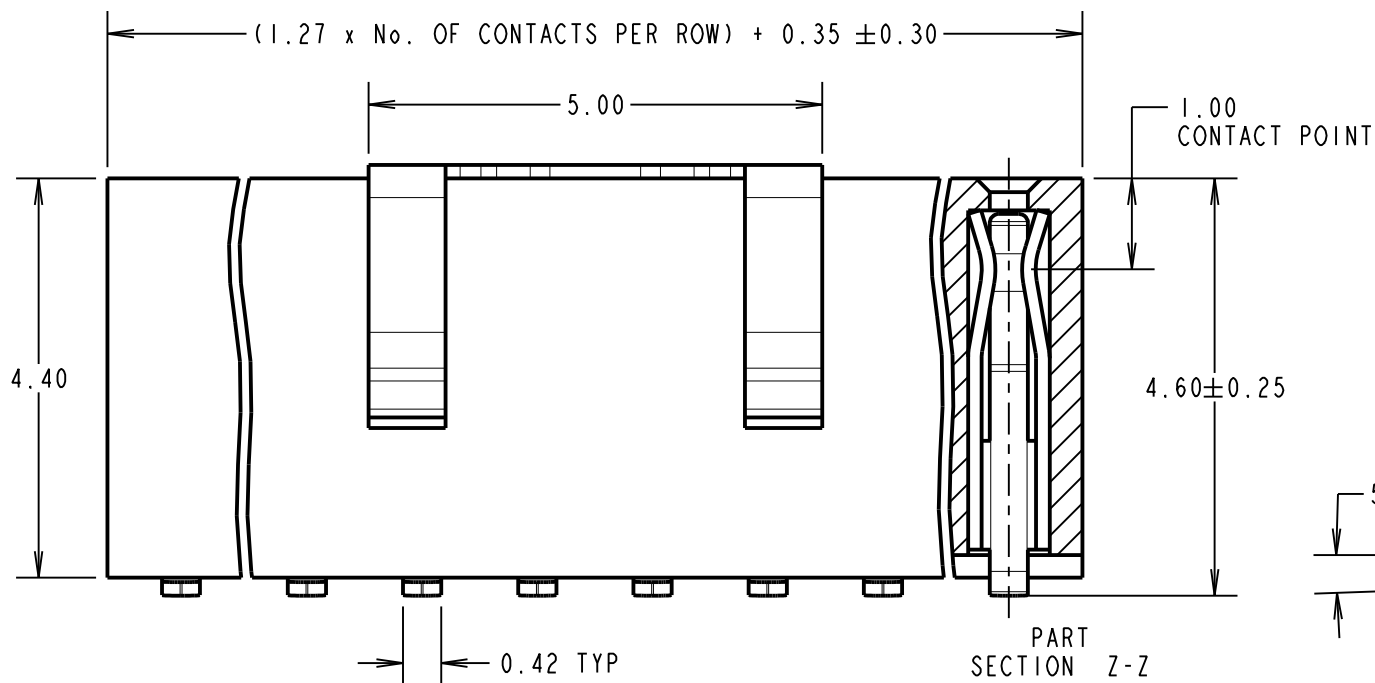
ALL DIMENSIONS IN mm



RECOMMENDED PCB LAYOUT
(TOLERANCE ±0.05)



SPECIFICATIONS:
MATERIAL:
 MOULDING = NYLON 6T UL94V-0, BLACK
 CONTACT = PHOSPHOR BRONZE
FINISH:
 CONTACT = GOLD FLASH OVER NICKEL
ELECTRICAL:
 VOLTAGE RATING = 250V AC/DC
 CURRENT RATING = 1A
 VOLTAGE PROOF = 300V AC, 500V DC FOR ONE MINUTE
 CONTACT RESISTANCE = 20mΩ MAX INITIAL,
 30mΩ MAX AFTER CONDITIONING
 INSULATION RESISTANCE = 1000MΩ MIN
MECHANICAL:
 DURABILITY = 100 CYCLES
 INSERTION FORCE = 2N MAX PER CONTACT
 WITHDRAWAL FORCE = 0.15N MIN PER CONTACT
ENVIRONMENTAL:
 OPERATING TEMPERATURE = -40°C TO +105°C
PACKING:
 TUBE
 FOR COMPLETE SPECIFICATION, SEE COMPONENT SPECIFICATION C029XX (LATEST ISSUE)



ORDER CODE:
M50-310XX45R

No. OF CONTACTS PER ROW: _____
 05, ~~10~~, ~~20~~, ~~25~~

FINISH: _____
 GOLD FLASH OVER NICKEL

RA	5	18.08.20	30141
NAME	ISS.	DATE	CN/CO
APPROVED:		R.ALEXANDER	
CHECKED:		S.FLOWER	
DRAWN:		R.ADDE	
CUSTOMER REF.:			
ASSEMBLY DRG:			

NOTES:
 1. ALL TOLERANCES ARE ±0.12 UNLESS OTHERWISE STATED.
 2. FOR TAPE AND REEL DETAILS, SEE SHEET 2.

HARWIN
 www.harwin.com
 technical@harwin.com

THIS DRAWING AND ANY INFORMATION OR DESCRIPTIVE MATTER SET OUT HEREON ARE CONFIDENTIAL AND COPYRIGHT PROPERTY OF THE HARWIN GROUP AND MUST NOT BE DISCLOSED, LOANED, COPIED OR USED FOR MANUFACTURING, TENDERING OR FOR ANY OTHER PURPOSE WITHOUT THEIR WRITTEN PERMISSION.

TOLERANCES
 X = ±1mm
 X.X = ±0.50mm
 X.XX = ±0.20mm
 X.XXX = ±0.01mm
 ANGLES = ±5°
 UNLESS STATED

MATERIAL: SEE ABOVE
FINISH: SEE ABOVE
S/AREA: mm²

TITLE: 1.27mm PITCH DIL VERTICAL SMT SOCKET ASSY IN TAPE & REEL WITH PICK AND PLACE CAP
DRAWING NUMBER: M50-310XX45R
 SHT 4 OF 4