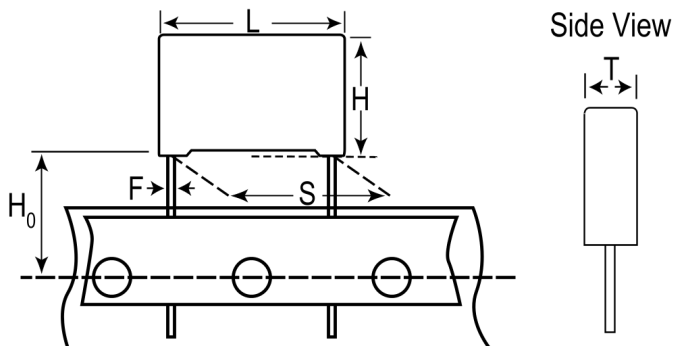


## PHE840MB6470MB16R17T0

Aliases (F840BY474M275L)

Not for New Design • Recommended Replacement Series R46 X2 310 VAC

PHE840M/F840, Film, Metallized Polypropylene, Safety, 0.47 uF, 20%, 275 VAC (X2), 760 VDC, 105°C, Lead Spacing = 15mm



Click [here](#) for the 3D model.

### Dimensions

L	18mm MAX
H	19mm MAX
T	11mm MAX
S	15mm +0.6/-0.1mm
H <sub>0</sub>	17mm NOM
F	0.8mm NOM

### Packaging Specifications

Packaging	T&R
Packaging Quantity	300

### General Information

Series	PHE840M/F840
Dielectric	Metallized Polypropylene
Style	Radial
Features	EMI Safety
RoHS	Yes
Lead	Wire Leads
Safety Class	X2
Qualifications	ENEC, UL, cUL
AEC-Q200	No
THB Performance	No
Component Weight	5.637 g
Notes	Not for new design – the replacement series is: R46 X2 310VAC.

### Specifications

Capacitance	0.47 uF
Capacitance Tolerance	20%
Voltage AC	275 VAC (X2)
Voltage DC	760 VDC
Temperature Range	-55/+105°C
Rated Temperature	105°C
Dissipation Factor	0.1% 1kHz, 0.4% 10kHz
Insulation Resistance	21.2766 GOhms
Max dV/dt	100 V/us