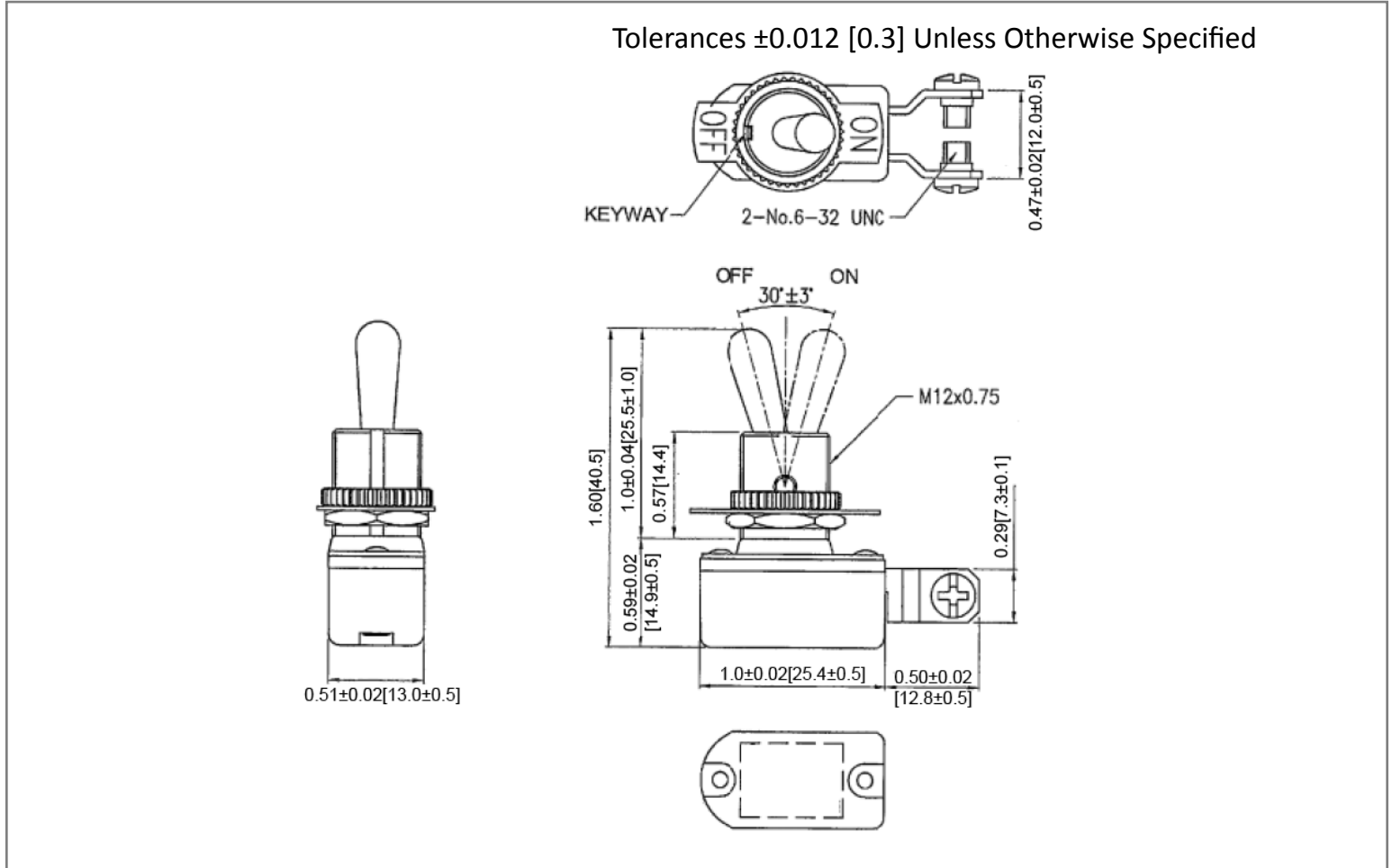
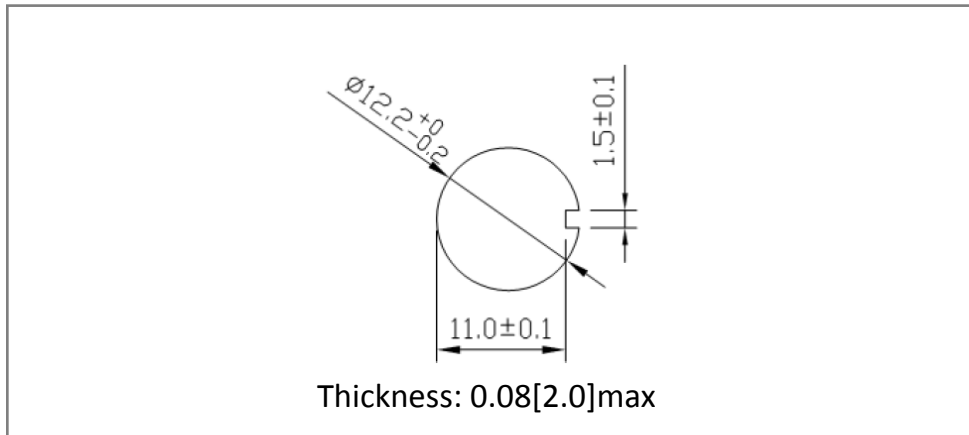


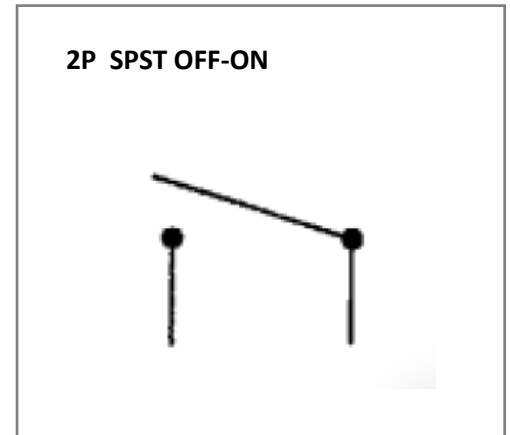
Mechanical Dimensions: Inches [mm]



Mounting Hole



Circuit Diagram



Electrical Specifications

| | |
|-----------------------|------------------------|
| Rating | 6A 125V AC, 3A 250V AC |
| Contact Resistance | 50m ohm Max |
| Insulation Resistance | DC 500V 100M ohm Min |
| Dielectric Strength | AC 1000V 1 minute |
| Operation Temperature | -20°C~85°C |

Material Specifications

| |
|--------------------------|
| 1 HEX NUT ASSY |
| 1 KNURL NUT ASSY |
| 1 ON/OFF FACE PLATE ASSY |

| Rev | Date of issue | Revision Notes | Designed | Approved |
|-----|---------------|-----------------|----------|----------|
| A | 11-30-2021 | Initial Drawing | RC | OF |