



SIGN	DATE	DESCRIPTION	APPROVER
△	01/10'09	The design is changed	Jacke
△	04.20'09	The operating temperature is changed	Jacke
△	2010.01.12	Add cULus standard	Jacke
△	2010.03.31	Add the 2p mark	Jacke
△	2010.04.26	The current rating is changed from 10A to 20A	Jacke
△	2014.09.27	The current rating is changed from 20A to 10A	Evan

THIS IS CAD DRAWING, DO NOT REVISE MANUALLY!!

Materials
 Item Ⓐ Terminal body: Thermoplastic (UL94V-0)
 Item Ⓑ Female contact: PhBz(CuSn), Tin plated
 Item Ⓒ Terminal cover: Thermoplastic (UL94V-0)

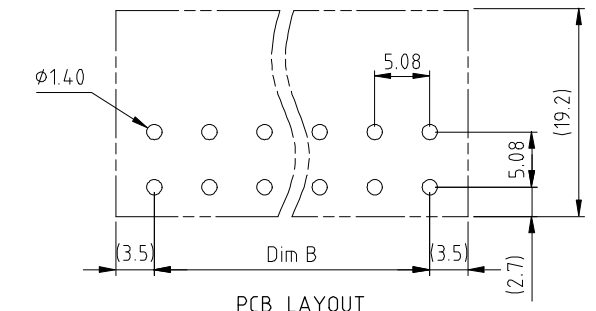
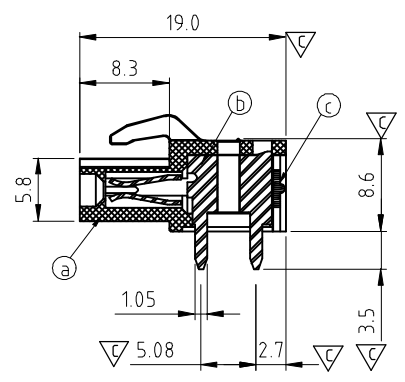
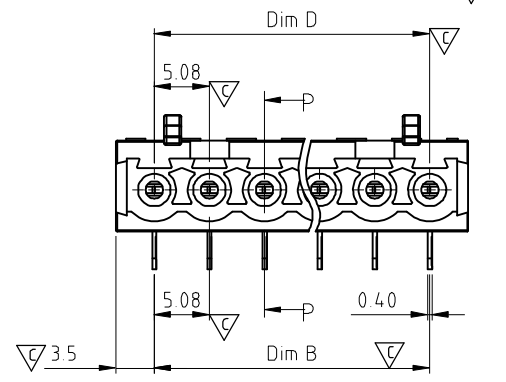
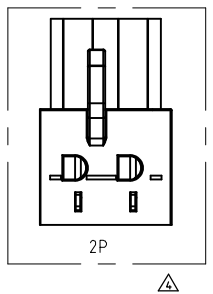
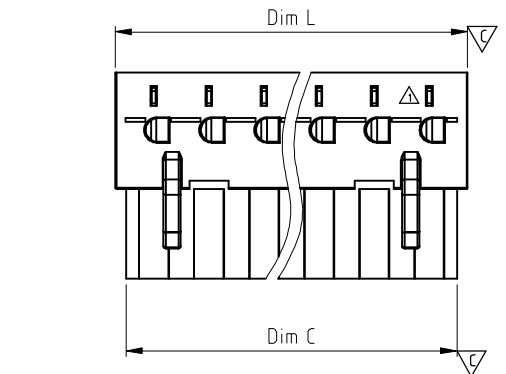
Electrical
 ● Voltage rating: 300VAC
 ● Current rating: 10A
 ● Withstanding Voltage: 1.6kv
 ● Operating temperature: -40°C to +115°C
 ● Soldering temperature: 260°C±5°C/5 Sec
 ● Safety Approval: 
 ● Critical dimension: 

V7 xx 5 1 x xxxx G

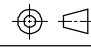
No. OF POLES →
 02 2 plocs
 03 3 plocs
 ...
 24 24 plocs

Color →
 0 Black (RAL9005)
 2 Red (RAL3001/D)
 3 Orange(RAL2011/P)
 4 Yellow(RAL1018/A)
 5 Green(RAL6018/T)
 6 Blue (RAL5015/A)
 8 Grey(RAL7035/D)
 9 White(RAL1102)
 C Green(RAL6018/U)

G → RoHS compliant (lead<4%)
 In copper Alloy
 0000: "@ " Logo (Standard)
 000A: "ANYTEK" Mark
 Any special item by customer request.
 please contact sales department.



DIM		TOL			
		2P-6P	7P-12P	13P-18P	19P-24P
Dim L	(N-1)×5.08+7.08	±0.15	±0.25	±0.30	±0.40
Dim B	(N-1)×5.08	±0.15	±0.25	±0.30	±0.40
Dim C	N×5.08		+0.0 -0.20		+0.0 -0.40
Dim D	(N-1)×5.08	±0.15	±0.25	±0.30	±0.40

Amphenol ANYTEK				INSPECTION COPY			
ALL RIGHTS RESERVED. REPRODUCTION OR ISSUE TO THIRD PARTIES IN ANY FORM WHATSOEVER IS NOT PERMITTED WITHOUT WRITTEN AUTHORITY FROM THE PROPRIETOR. PROPERTY OF ANYTEK TECHNOLOGY CO., LTD							
TITLE		V7 5.08 Series Right-angle					
PART NO.		V7xx51x1xxxxG			DWG NO.		8V70302
APPROVED	CHECKED	DESIGNED	DRAWN	CUST NO.		Tolerance	
		Evan 2014.09.27	Evan 2014.09.27			X. ±0.5 X.X ±0.3 X.XX ±0.1 X° ±1°	
						UNIT: mm	
				SHEET: 01/01		SCALE: NONE	
						REV.: G	