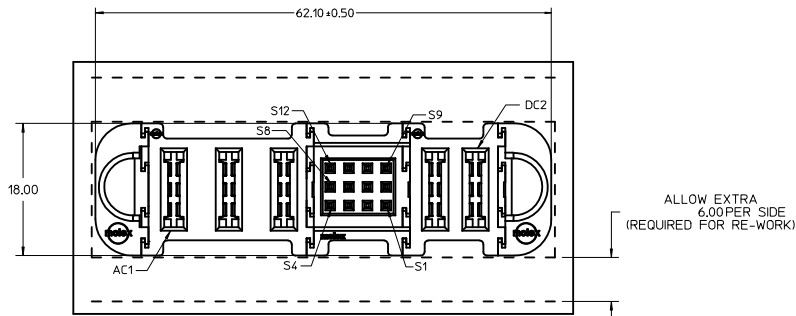
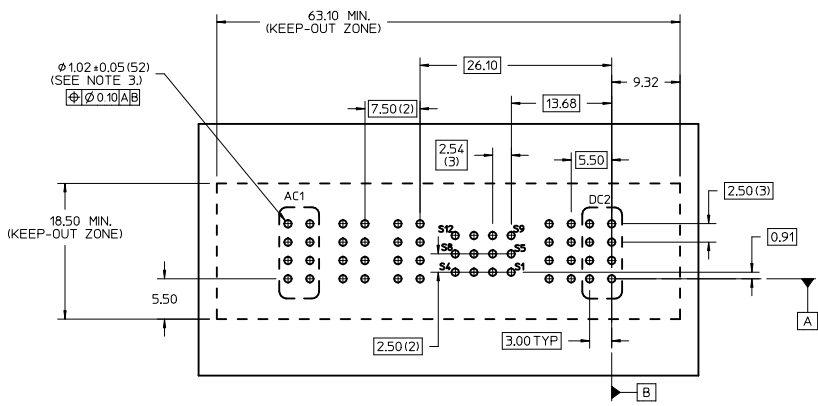
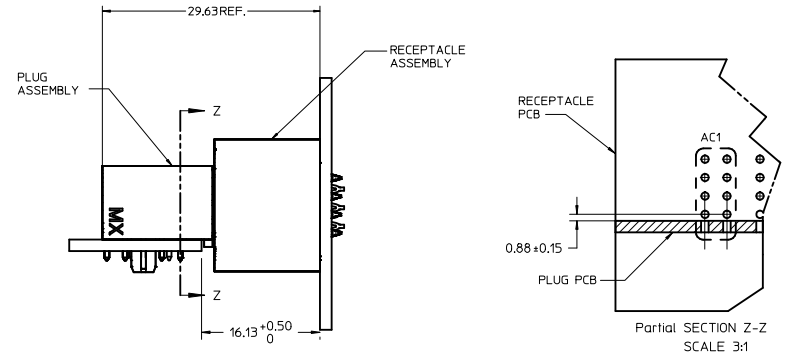


P/N: 46562-1079



ALLOW EXTRA 6.00 PER SIDE (REQUIRED FOR RE-WORK)



RECOMMENDED PCB LAYOUT AND KEEP-OUT ZONE

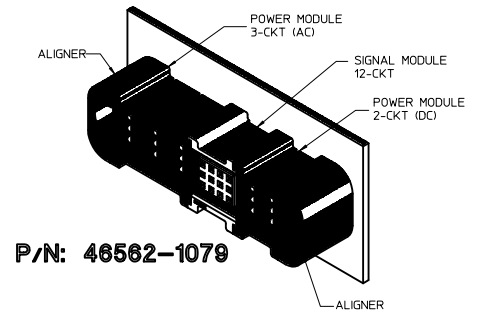
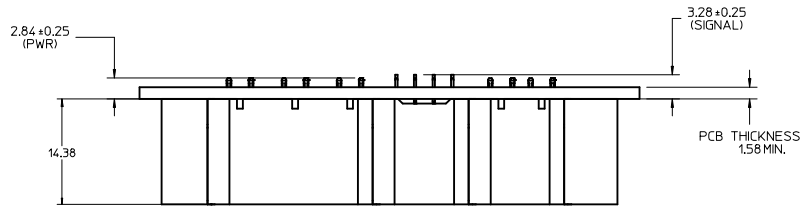
NOTES:

- MATERIAL:
  - HOUSINGS: LCP UL94 V-0, COLOR: BLACK.
  - TERMINALS: COPPER ALLOY.
  - PLATING: 0.000127 NICKEL OVERALL WITH 0.00254 SELECTIVE MATTE TIN ON COMPLIANT PINS.
- AND 0.000762 SELECTIVE GOLD ON CONTACT AREA.
- PACKAGING ASSEMBLIES TO BE TRAY PACKED. STD. QUANTITY: TBD.
- PC BOARD REQUIRES SOLDER THRU HOLES. REFER TO PS-46436-100 FOR DETAILS.
- PRODUCT SPEC: PS-46436-100.
- APPLICATION SPEC: AS-46436-100.
- PRODUCT TO MEET RoHS REQUIREMENTS.
- ASSEMBLY MATES WITH MOLEX PLUG ASSEMBLY, P/N 46437-1079.

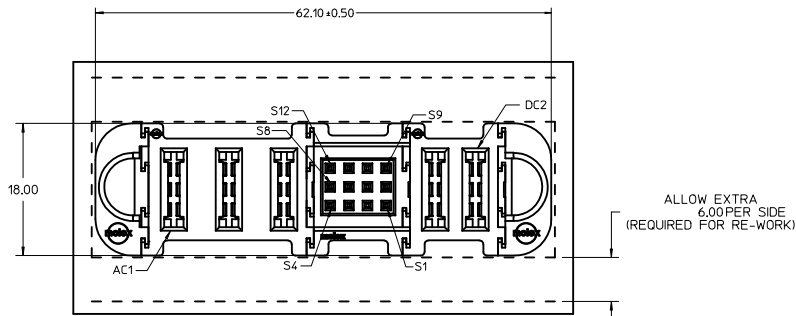
<b>RELEASED</b> IEC NO. UCF2010-0330 DRAWN: BKOSTIC 2009/08/04 CHYD: 2009/08/26 APPR: APATEL 2009/08/27 REV DESCRIPTION	<b>QUALITY SYMBOLS</b>		<b>GENERAL TOLERANCES (UNLESS SPECIFIED)</b>		<b>DIMENSION STYLE</b> MM ONLY		SCALE 3:1	DESIGN UNITS METRIC	THIRD ANGLE PROJECTION
	4 PLACES ± --- ± --- 3 PLACES ± --- ± .010 2 PLACES ± 0.25 ± .010 1 PLACE ± 0.25 ± --- ANGULAR ± 1/2°		mm INCH		DRAWN BY DATE BKOSTIC 2009/07/14 CHECKED BY DATE BKOSTIC 2009/08/04 APPROVED BY DATE JCOMERCI 2009/07/21		MATERIAL NO. <b>46562-1079</b>		DOCUMENT NO. <b>SD-46562-1079</b>
DRAFT WHERE APPLICABLE MUST REMAIN WITHIN DIMENSIONS			SIZE D		THIS DRAWING CONTAINS INFORMATION THAT IS PROPRIETARY TO MOLEX INCORPORATED AND SHOULD NOT BE USED WITHOUT WRITTEN PERMISSION				

VERTICAL RECEPTACLE ASSY  
3AC-12C-2DC  
TEN60 POWER FAMILY

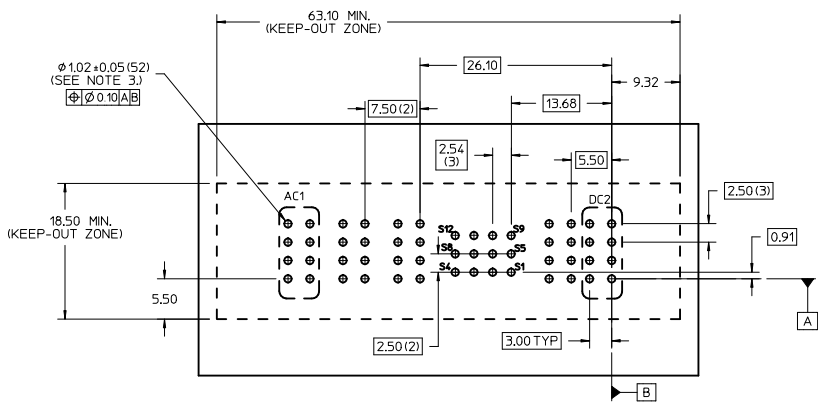
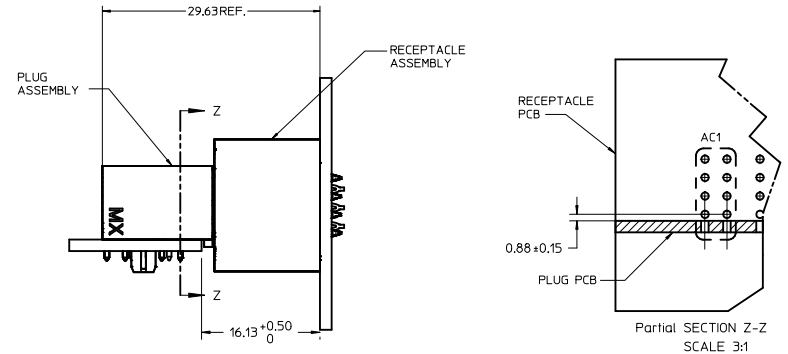
MOLEX INCORPORATED  
SHEET NO. 1 OF 1



P/N: 46562-1079



ALLOW EXTRA 6.00 PER SIDE (REQUIRED FOR RE-WORK)



RECOMMENDED PCB LAYOUT AND KEEP-OUT ZONE

NOTES:

- MATERIAL:
  - HOUSINGS: LCP UL94 V-0, COLOR: BLACK.
  - TERMINALS: COPPER ALLOY.
  - PLATING: 0.000127 NICKEL OVERALL WITH 0.00254 SELECTIVE MATTE TIN ON COMPLIANT PINS.
- AND 0.000762 SELECTIVE GOLD ON CONTACT AREA.
- PACKAGING ASSEMBLIES TO BE TRAY PACKED. STD. QUANTITY: TBD.
- PC BOARD REQUIRES SOLDER THRU HOLES. REFER TO PS-46436-100 FOR DETAILS.
- PRODUCT SPEC: PS-46436-100.
- APPLICATION SPEC: AS-46436-100.
- PRODUCT TO MEET RoHS REQUIREMENTS.
- ASSEMBLY MATES WITH MOLEX PLUG ASSEMBLY, P/N 46437-1079.

<b>RELEASED</b> IEC NO. UCF2010-0330 DRAWN: BKOSTIC 2009/08/04 CHYD: 2009/08/26 APPR: APATEL 2009/08/27 REV DESCRIPTION	QUALITY SYMBOLS	GENERAL TOLERANCES (UNLESS SPECIFIED)	DIMENSION STYLE <b>MM ONLY</b>	SCALE <b>3:1</b>	DESIGN UNITS <b>METRIC</b>	THIRD ANGLE PROJECTION																						
		<table border="1"> <tr> <th></th> <th>mm</th> <th>INCH</th> </tr> <tr> <td>4 PLACES</td> <td>± ---</td> <td>± ---</td> </tr> <tr> <td>3 PLACES</td> <td>± .010</td> <td>± .010</td> </tr> <tr> <td>2 PLACES</td> <td>± 0.25</td> <td>± .010</td> </tr> <tr> <td>1 PLACE</td> <td>± 0.25</td> <td>± ---</td> </tr> </table>		mm	INCH	4 PLACES	± ---	± ---	3 PLACES	± .010	± .010	2 PLACES	± 0.25	± .010	1 PLACE	± 0.25	± ---	<table border="1"> <tr> <th>DATE</th> <th>BY</th> </tr> <tr> <td>2009/07/14</td> <td>BKOSTIC</td> </tr> <tr> <td>2009/08/04</td> <td>BKOSTIC</td> </tr> <tr> <td>2009/07/21</td> <td>JCOMERCI</td> </tr> </table>	DATE	BY	2009/07/14	BKOSTIC	2009/08/04	BKOSTIC	2009/07/21	JCOMERCI	TITLE <b>VERTICAL RECEPTACLE ASSY          3AC-12C-2DC          TEN60 POWER FAMILY</b>	
	mm	INCH																										
4 PLACES	± ---	± ---																										
3 PLACES	± .010	± .010																										
2 PLACES	± 0.25	± .010																										
1 PLACE	± 0.25	± ---																										
DATE	BY																											
2009/07/14	BKOSTIC																											
2009/08/04	BKOSTIC																											
2009/07/21	JCOMERCI																											
DRAFT WHERE APPLICABLE MUST REMAIN WITHIN DIMENSIONS		MATERIAL NO. <b>46562-1079</b>		DOCUMENT NO. <b>SD-46562-1079</b>		SHEET NO. <b>1 OF 1</b>																						
THIS DRAWING CONTAINS INFORMATION THAT IS PROPRIETARY TO MOLEX INCORPORATED AND SHOULD NOT BE USED WITHOUT WRITTEN PERMISSION																												