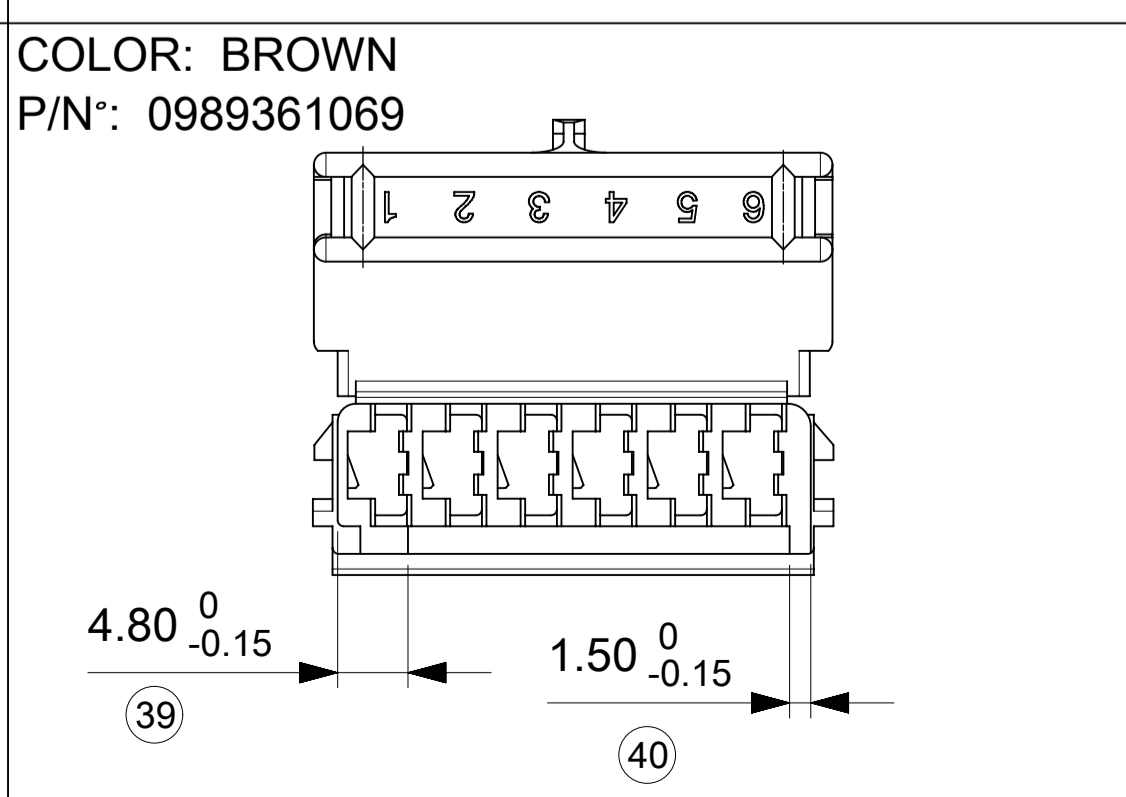
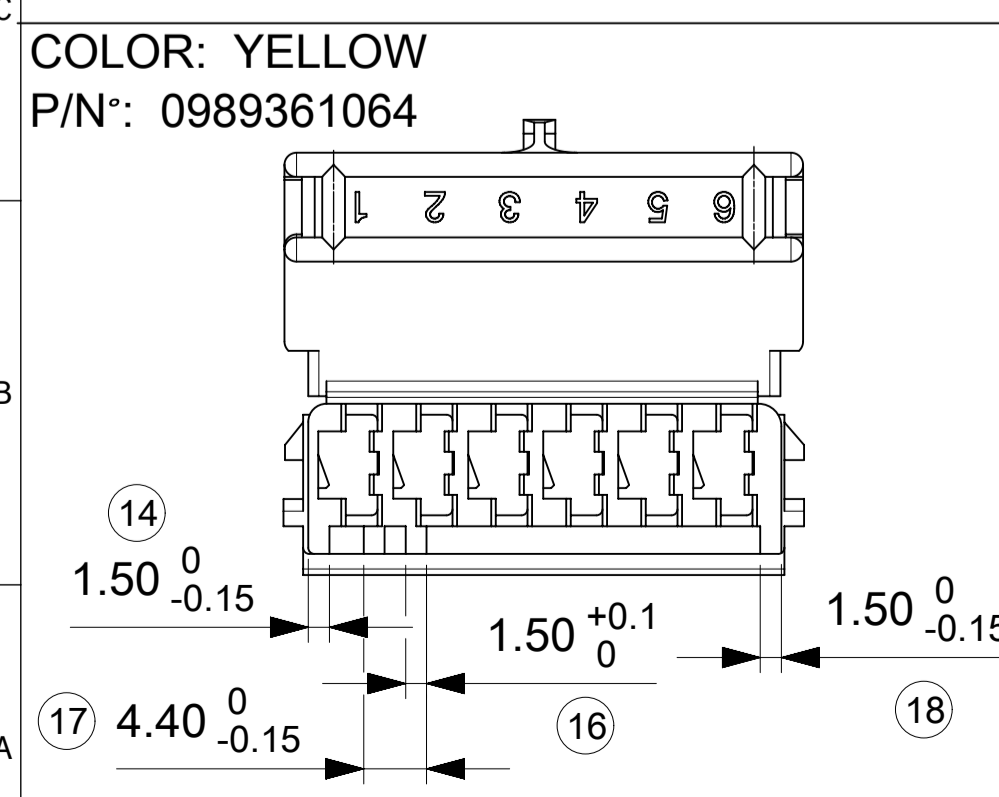
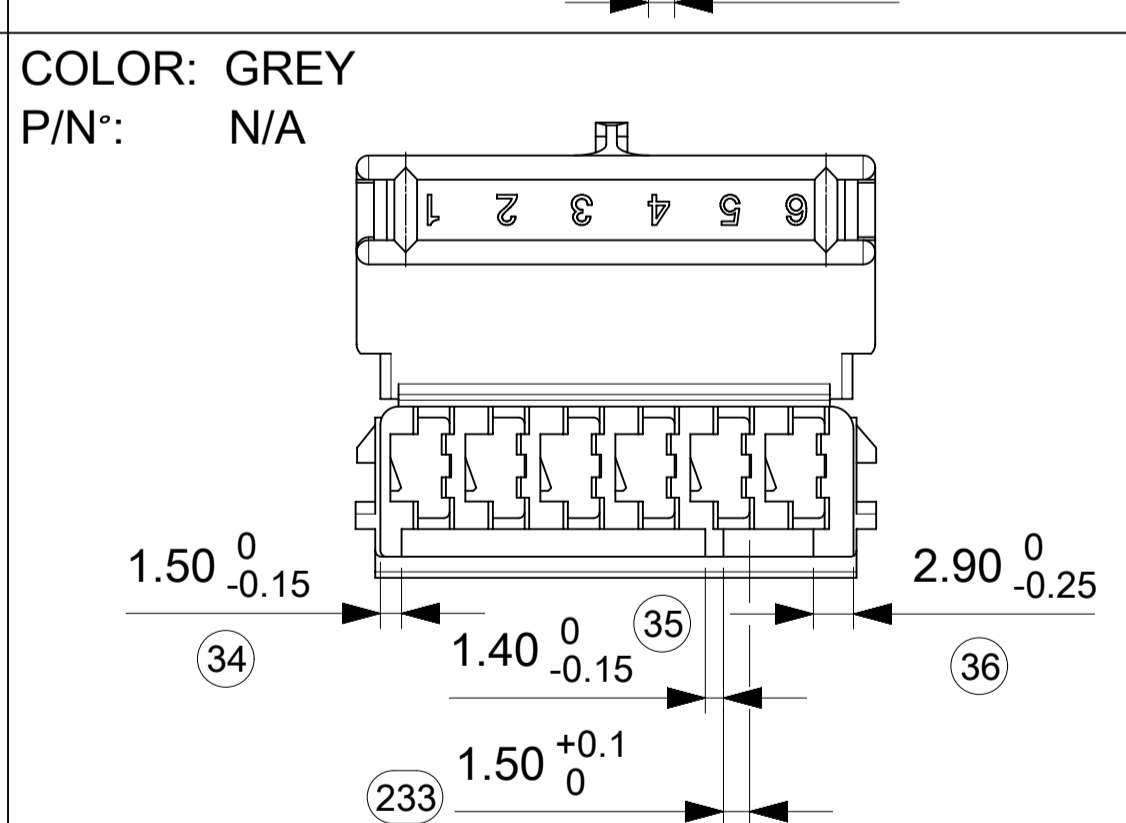
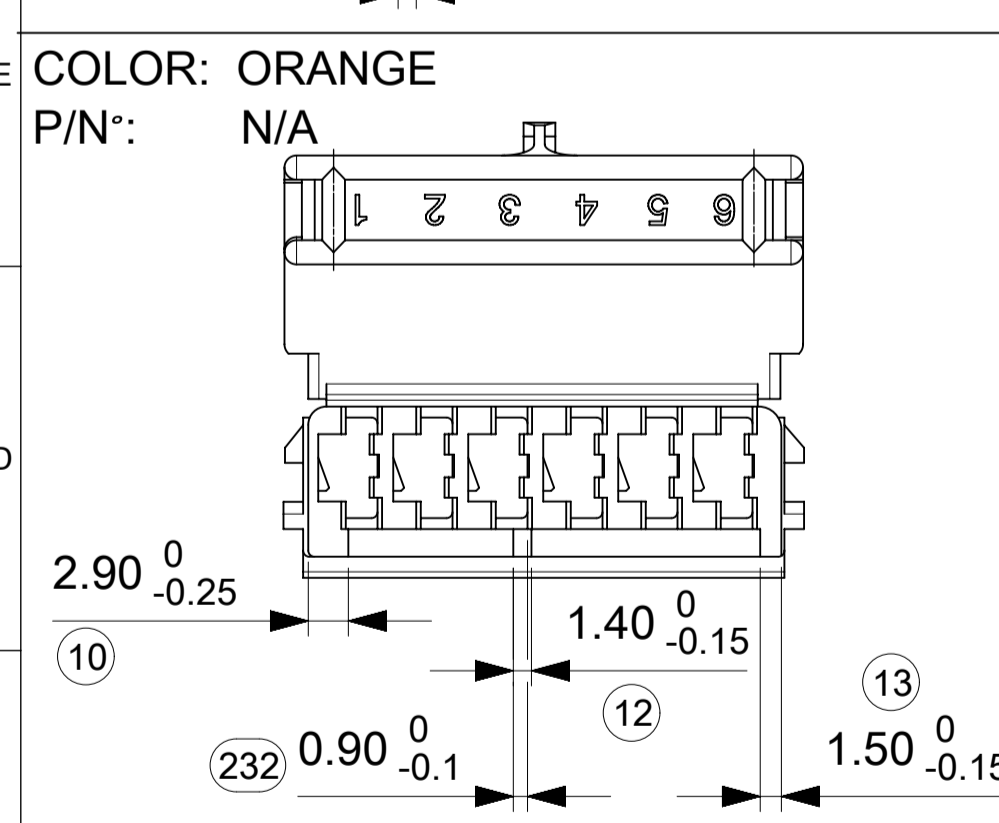
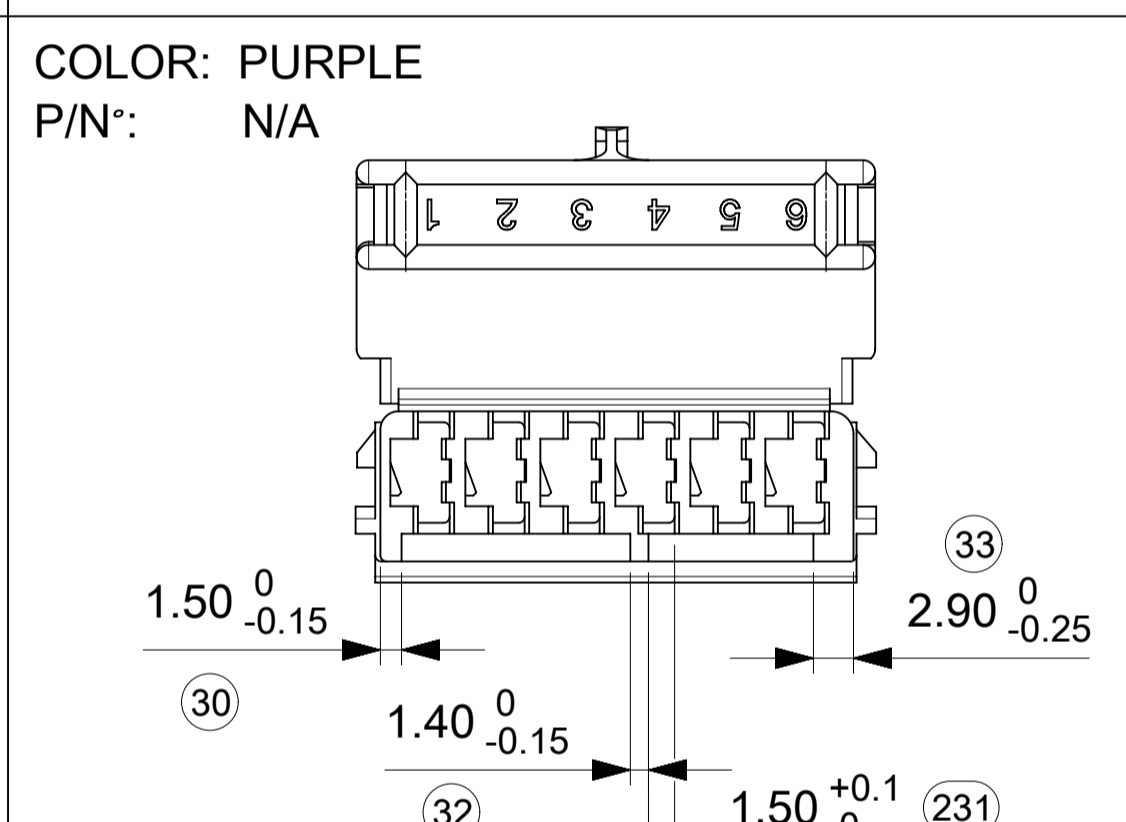
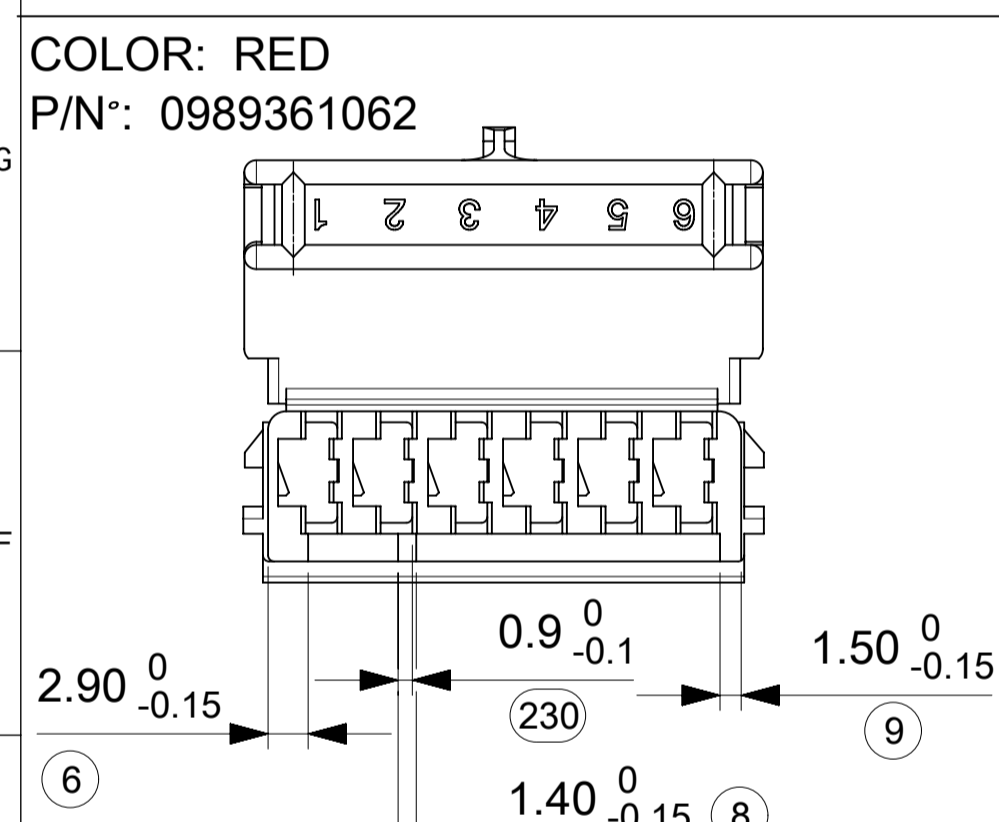
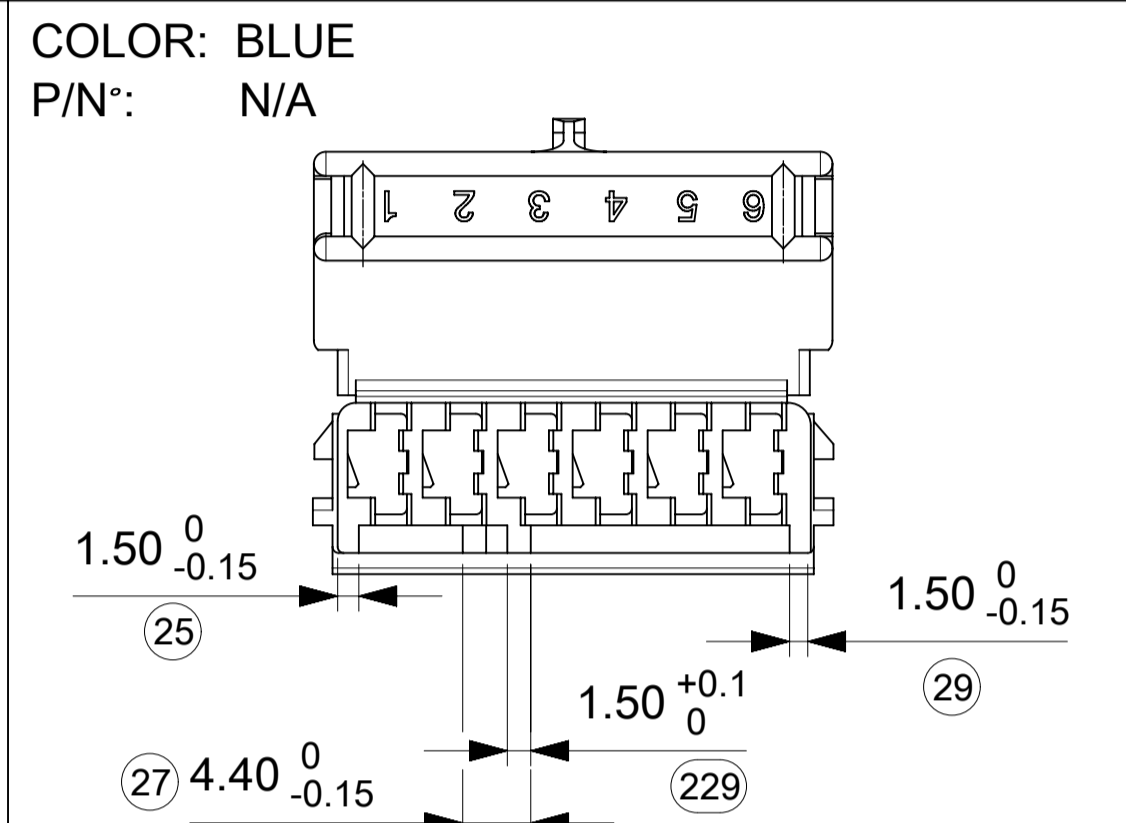
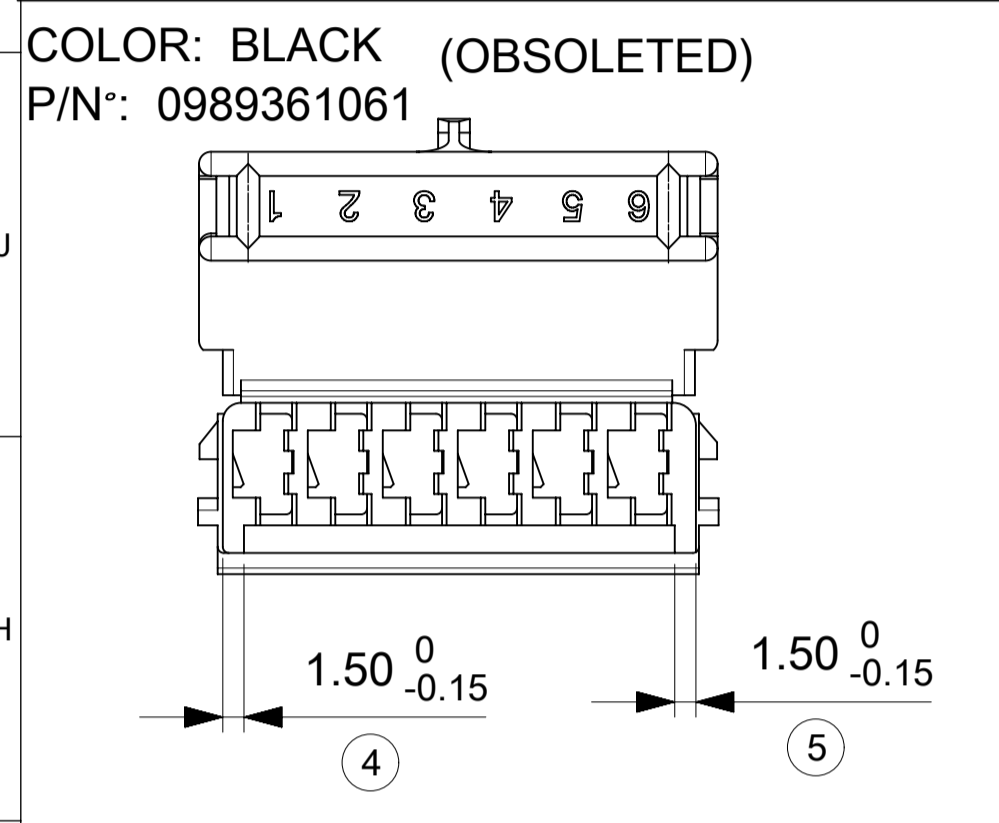
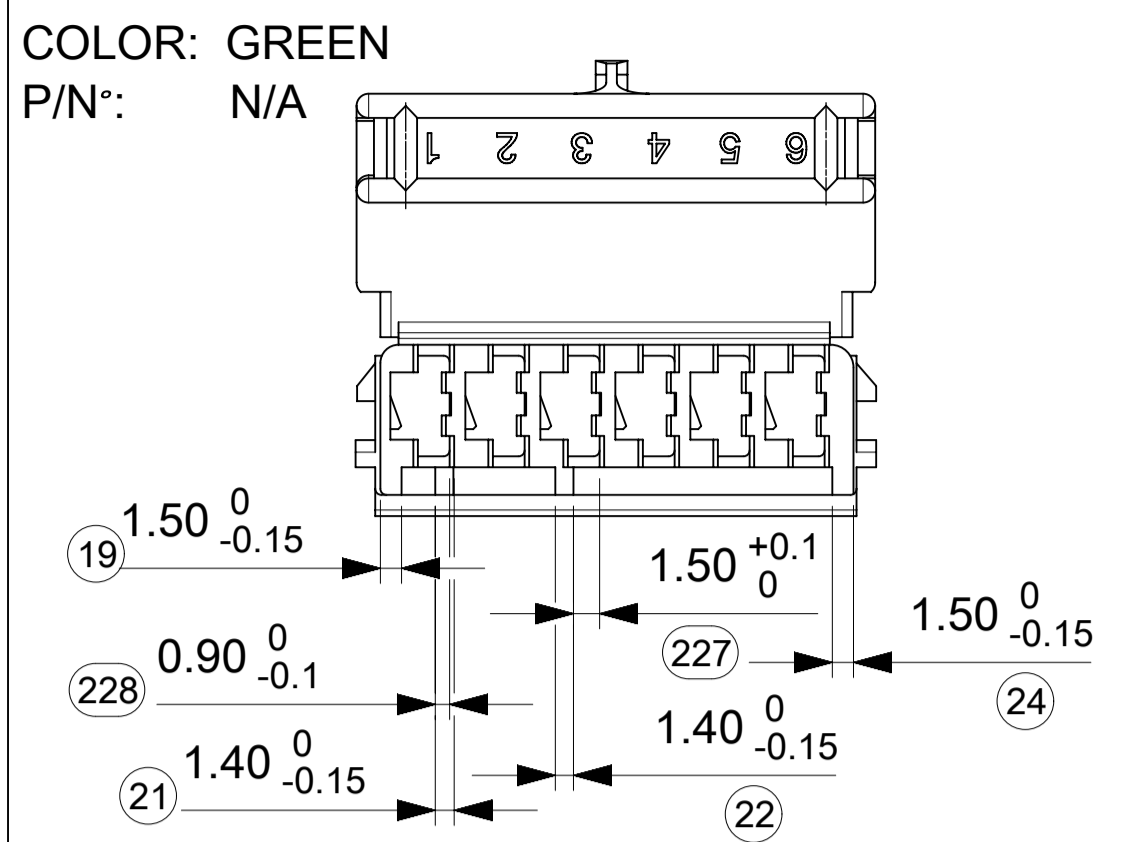
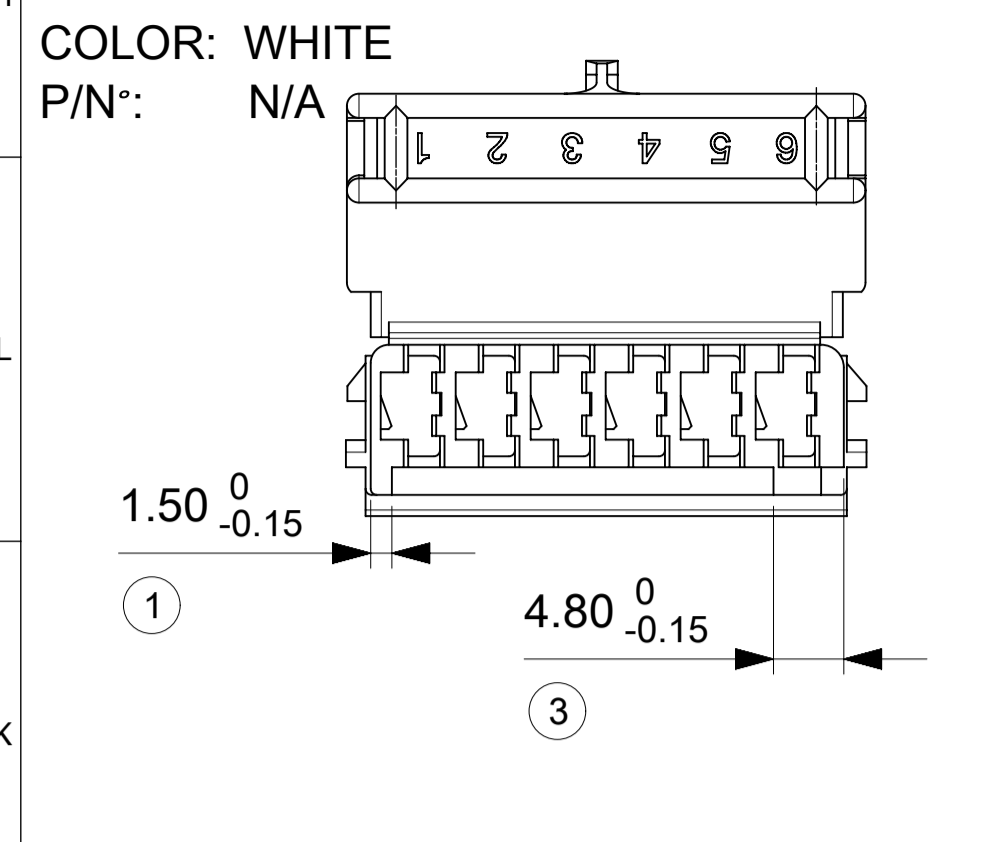


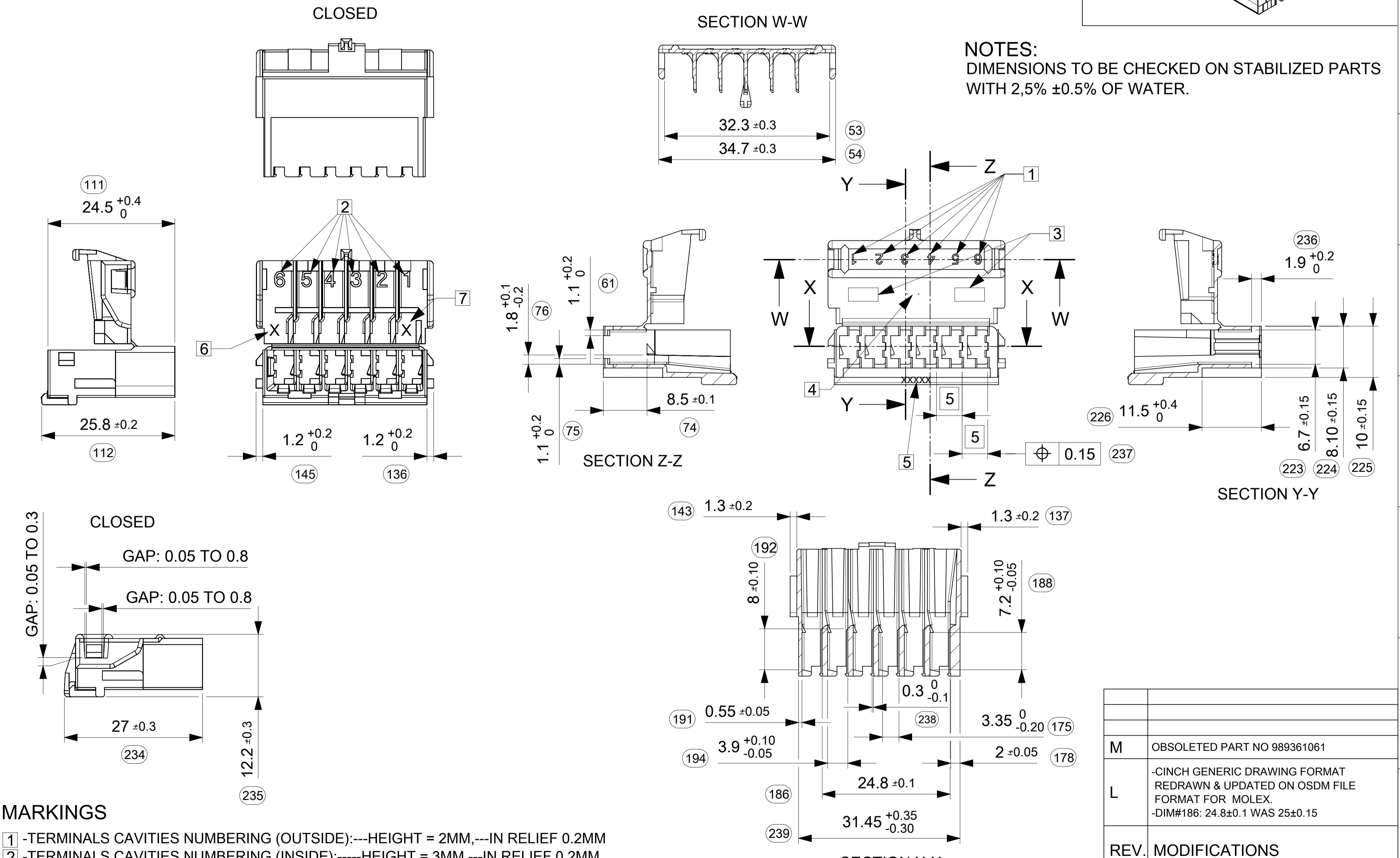
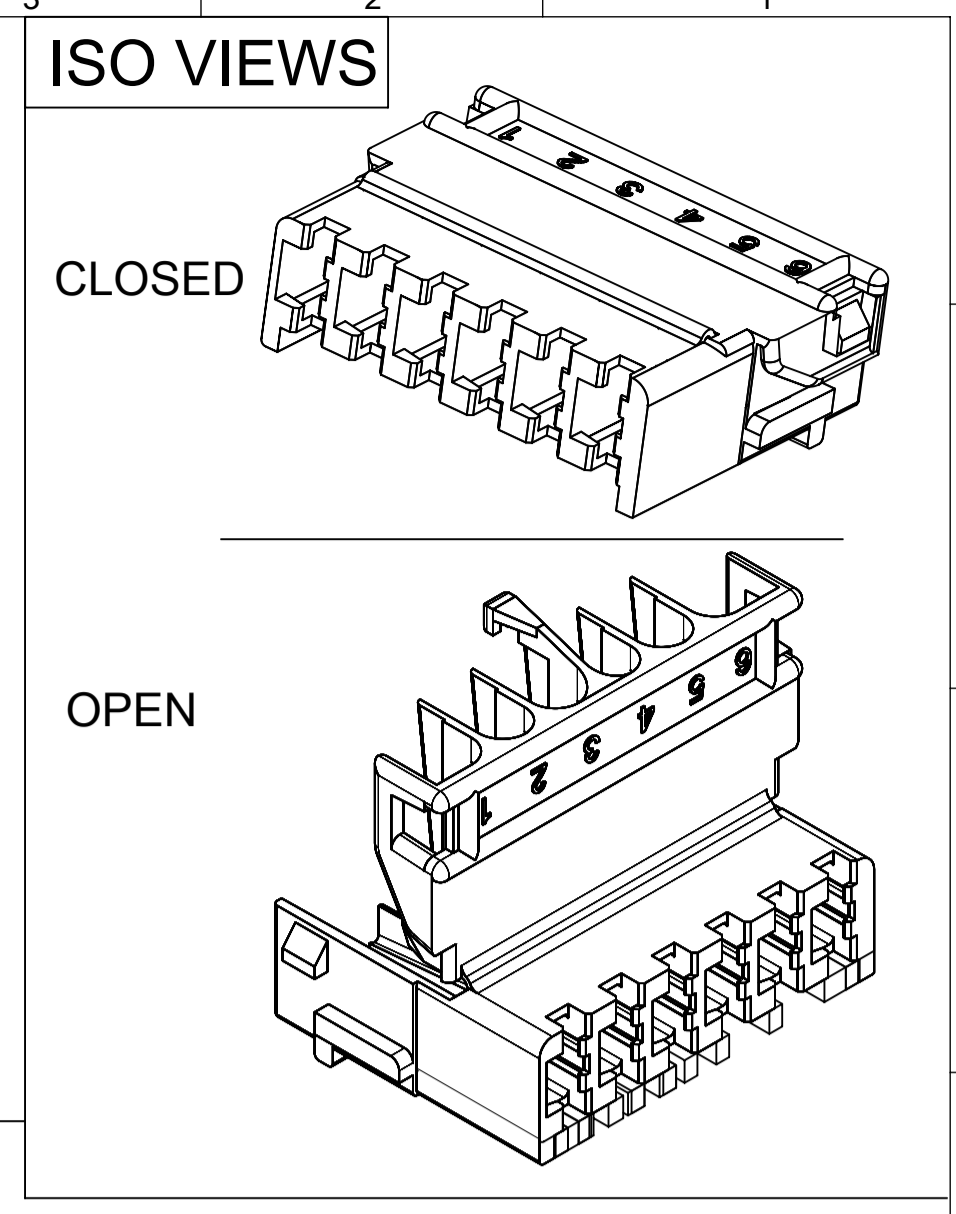
# CODINGS



BROWN	0989361069 VO		
GREY	N/A		
PURPLE	N/A		
BLUE	N/A		
GREEN	N/A		
YELLOW	0989361064		
ORANGE	N/A		
RED	0989361062		
WHITE	N/A		
BLACK	0989361061 VO		
COLOR	P/N*	DESCRIPTION	MATERIAL

6CKT RCPT HSG PA6.6

CAVITIES SPECIFICATIONS			
CRIMPING		WIRE (SECTION MM2)	INSULATION (ØEXT.MM)
SINGLE WIRE		3MM2 MAX.	4MM MAX
TWIN WIRES	SIDE BY SIDE	1MM2 + 1.4MM2	2.7MM + 3MM MAX
	TOP & DOWN	0.6MM2 + 2MM2	2.4MM + 3.2MM
TERMINALS TO BE USED			
P/N's	TYPE OF TERMINAL	MATERIAL	SECTION (MM2)
0988901014	CSP Term.		0.35 TO 1 MM2
0988951014	VDL Term.	CuZn15	REDUCED INSULATION
0988952014	VDL Term.	CuSn	
0988901011	CSP Term.		0.35 TO 1 MM2
0988951011	VDL Term.	CuZn15	
0988952011	VDL Term.	CuSn	1 TO 3 MM2
0988901012	CSP Term.		
0988951012	VDL Term.	CuZn15	
0988951012	VDL Term.	CuSn	



**MARKINGS**

- 1 - TERMINALS CAVITIES NUMBERING (OUTSIDE):---HEIGHT = 2MM,---IN RELIEF 0.2MM
- 2 - TERMINALS CAVITIES NUMBERING (INSIDE):-----HEIGHT = 3MM,---IN RELIEF 0.2MM
- 3 - SUPPLIER ACRONYM:-----IN RELIEF 0.2MM
- 4 - DRAWING REVISION LEVEL:---2 MARKS,-----IN RELIEF 0.2MM
- 5 - SERIES NUMBER:-----HEIGHT = 1MM,---IN RELIEF 0.2MM
- 6 - MOLD CAVITY NUMBER:-----HEIGHT = 2MM,---IN RELIEF 0.2MM
- 7 - MOLD NUMBER:-----HEIGHT = 2MM,---IN RELIEF 0.2MM

\* INSPECTION NUMBERS FROM 1 TO 226 SPOTTED ON THE DRAWING ARE COMING FROM THE ENG. DWG.

L	* ①	* ②39		
REV.	FIRST	LAST	DELETED	SUPERSEDED
INSPECTION NUMBERS				

THIS DRAWING CONTAINS INFORMATION THAT IS PROPRIETARY TO MOLEX ELECTRONIC TECHNOLOGIES, LLC AND SHOULD NOT BE USED WITHOUT WRITTEN PERMISSION

DIMENSION UNITS	SCALE	CURRENT REV DESC:	
mm	2:1	EC NO: 624787	
GENERAL TOLERANCES (UNLESS SPECIFIED)		DRWN: VLOKESHA	2019/06/11
4 PLACES ±	±	CHK'D: GGA	2019/11/11
3 PLACES ±	±	APPR: GGA	2019/11/11
2 PLACES ±	0.1	INITIAL REVISION:	
1 PLACE ±	0.1	DRWN: GDESBRUERES	2012/06/04
0 PLACES ±	±	APPR: OPLESSIS	2012/11/22
ANGULAR TOL	± 2.0°		
DRAFT WHERE APPLICABLE MUST REMAIN WITHIN DIMENSIONS	FIRST ANGLE PROJECTION	DRAWING	SERIES
		A1-SIZE	98936

DOCUMENT NUMBER				DOC TYPE				DOC PART				REVISION			
SD-98936-009				PSD				001				M			
PRODUCT CUSTOMER DRAWING															
DOCUMENT NUMBER: SD-98936-009															
CUSTOMER: GENERAL MARKET															
SHEET NUMBER: 1 OF 1															

M	OBSOLETED PART NO 989361061
L	-CINCH GENERIC DRAWING FORMAT REDRAWN & UPDATED ON OSDM FILE FORMAT FOR MOLEX. -DIM#186: 24.8±0.1 WAS 25±0.15
REV.	MODIFICATIONS