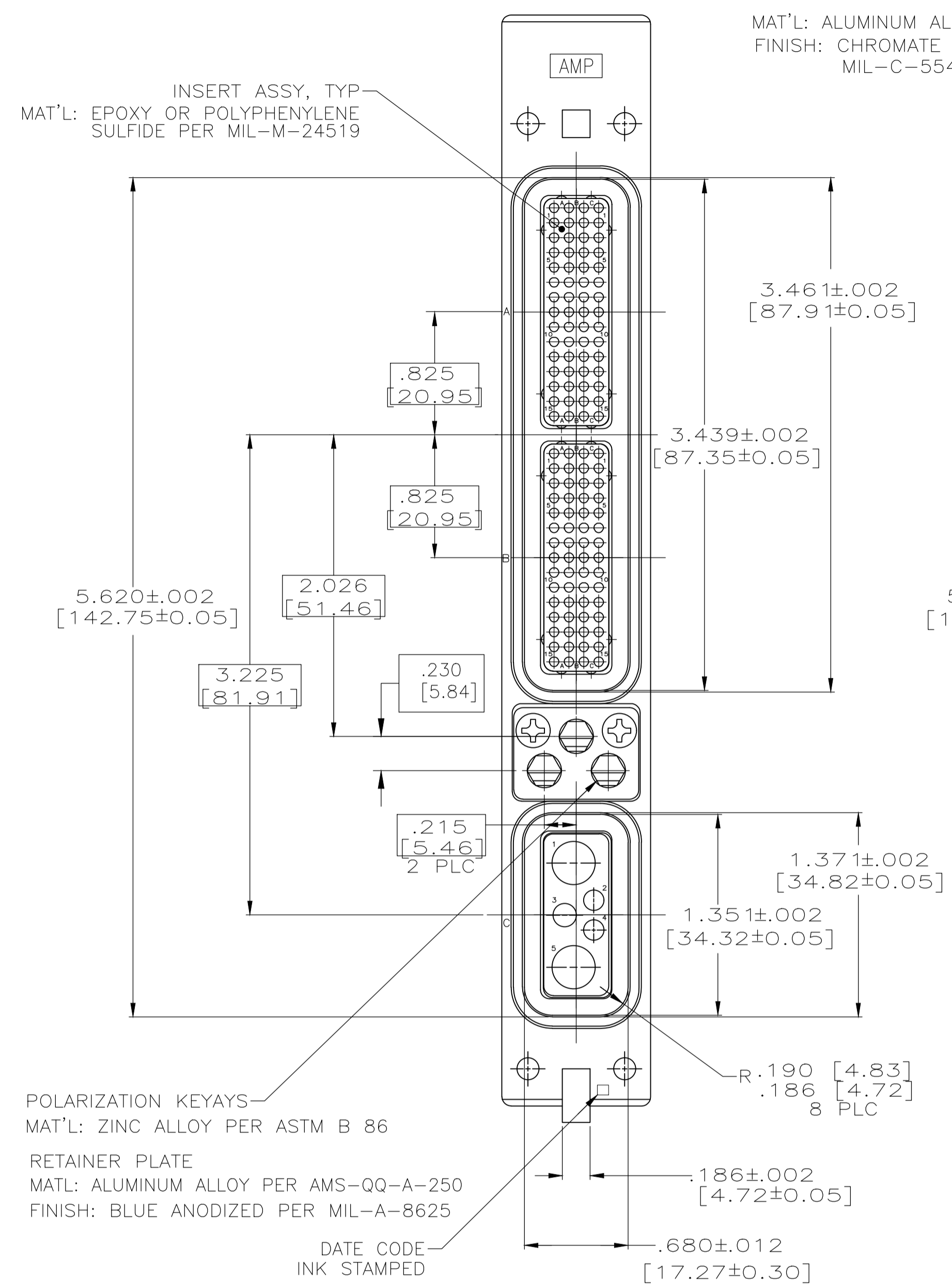
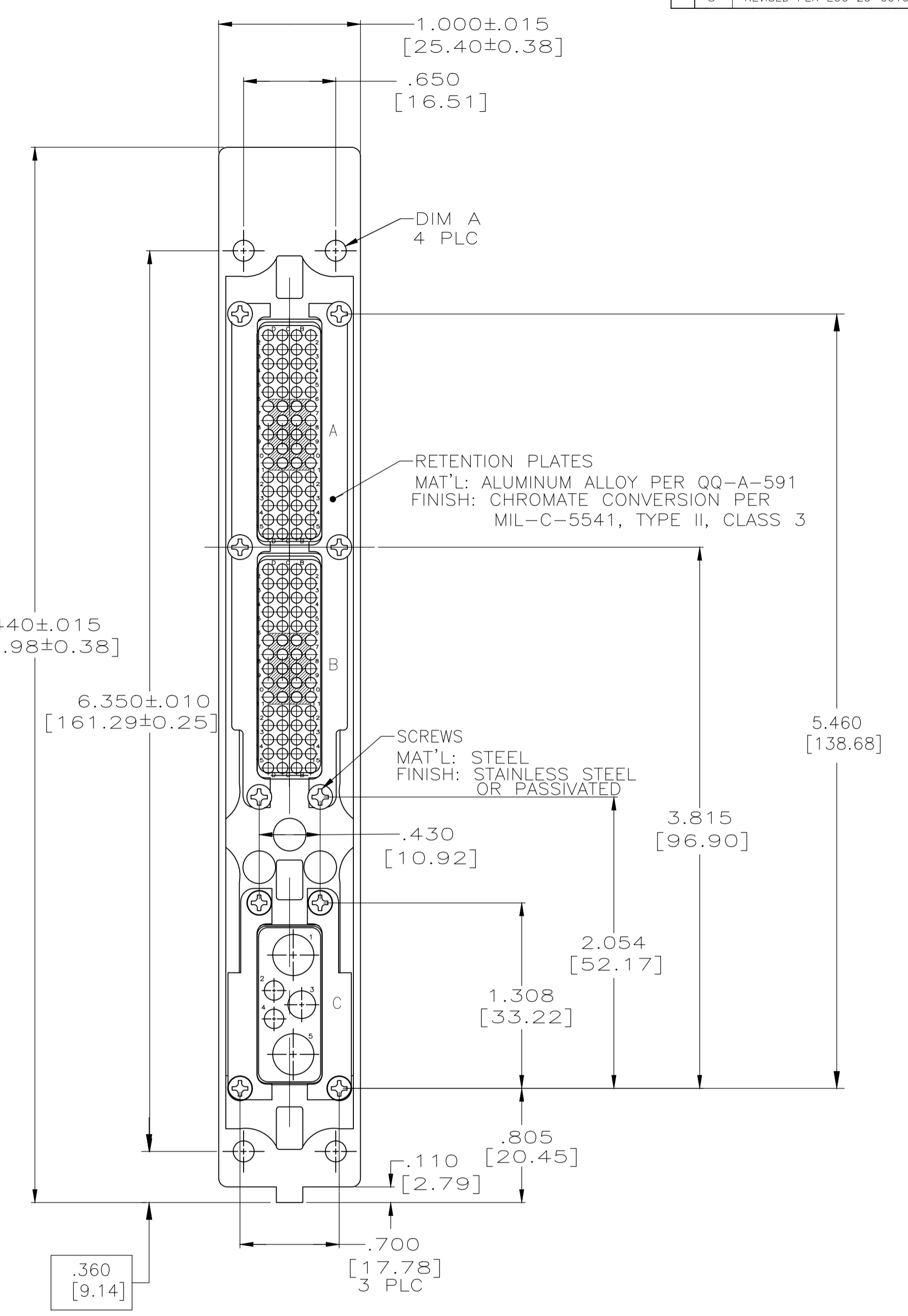
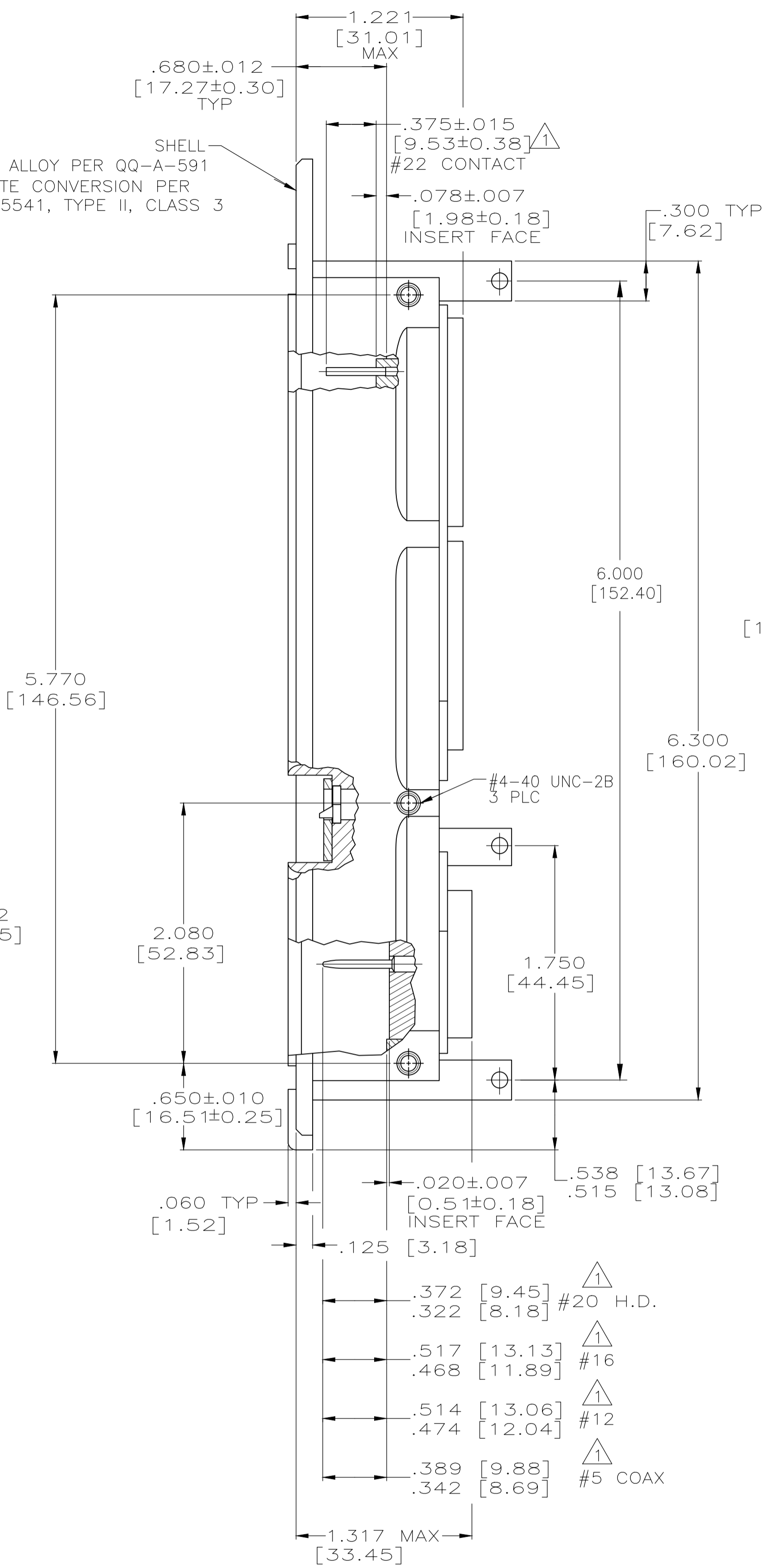


REVISIONS				
P	LTR	DESCRIPTION	DATE	OWN APVD
S		REVISED PER ECO 20-001688	7-6-20	CT RL



SHELL
MAT'L: ALUMINUM ALLOY PER QQ-A-591
FINISH: CHROMATE CONVERSION PER MIL-C-5541, TYPE II, CLASS 3



- CONTACTS ARE SHOWN IN POSITION FOR ILLUSTRATION ONLY. FOR SHIPMENT CONTACTS ARE INCLUDED IN A CONTAINER WITHIN THE CONNECTOR PACKAGE. COAX CONTACTS ARE NOT SUPPLIED AND MUST BE ORDERED SEPARATELY.
- ALL CONTACTS CAVITIES IN MODULES A & B ARE LOCATED WITHIN .006 [0.15] DIA TRUE POSITION. ALL CONTACT CAVITIES IN MODULE C ARE LOCATED WITHIN .020 [0.51] DIA TRUE POSITION.
- POLARIZING KEYS SHOWN IN POSITION 01 FOR ILLUSTRATION ONLY. CONNECTORS SHIPPED WITH KEYING PER ORDERING INSTRUCTIONS. CONTACT INSERTS AS SHOWN FOR ILLUSTRATION ONLY. SEE TABLE FOR DISCRIPTIVE NUMBER.
- YELLOW CHROMATE CONVERSION PER MIL-C-5541, CLASS 1A. (-16 ONLY)

REMARKS	DIM A	DESCRIPTIVE NUMBER	PART NUMBER
△	.145-.151 [3.68-3.84]	NIC66E11A18AA0	1-208599-6
--	.145-.151 [3.68-3.84]	NIC66E11A00AA1	1-208599-5
--	.145-.151 [3.68-3.84]	-	1-208599-4
--	.145-.151 [3.68-3.84]	NIC66E11A12AAD	1-208599-3
--	#4-40 CLINCH NUTS	-	1-208599-2
--	.145-.151 [3.68-3.84]	NIC66E11A00AA0	1-208599-1
--	.145-.151 [3.68-3.84]	NIC66E11A11AA0	1-208599-0
--	.145-.151 [3.68-3.84]	NIC66E11A16AA0	208599-9
--	.145-.151 [3.68-3.84]	NIC66E11A23AA0	208599-8
--	.145-.151 [3.68-3.84]	NIC66E11A03AA1	208599-7
--	.145-.151 [3.68-3.84]	NIC66E11A50AA0	208599-6
--	.145-.151 [3.68-3.84]	NIC66E11A22AA1	208599-5
--	#6-32 CLINCH NUTS	NIC66E11A12CB0	208599-4
--	#6-32 CLINCH NUTS	NIC66E11A19CB1	208599-3
--	.145-.151 [3.68-3.84]	NIC66E11A01AA1	208599-2
--	.145-.151 [3.68-3.84]	NIC66E11A01AA0	208599-1

THIS DRAWING IS A CONTROLLED DOCUMENT.

DIN C.C.THOMAS 11-20-95
CHK 4-11-96

TE Connectivity

RECEPTACLE ASSY, SIZE 1, ARINC 600

0.000000 A1 00779 ©=208599

CUSTOMER DRAWING SCALE 1:1 SHEET 1 OF 1 REV S