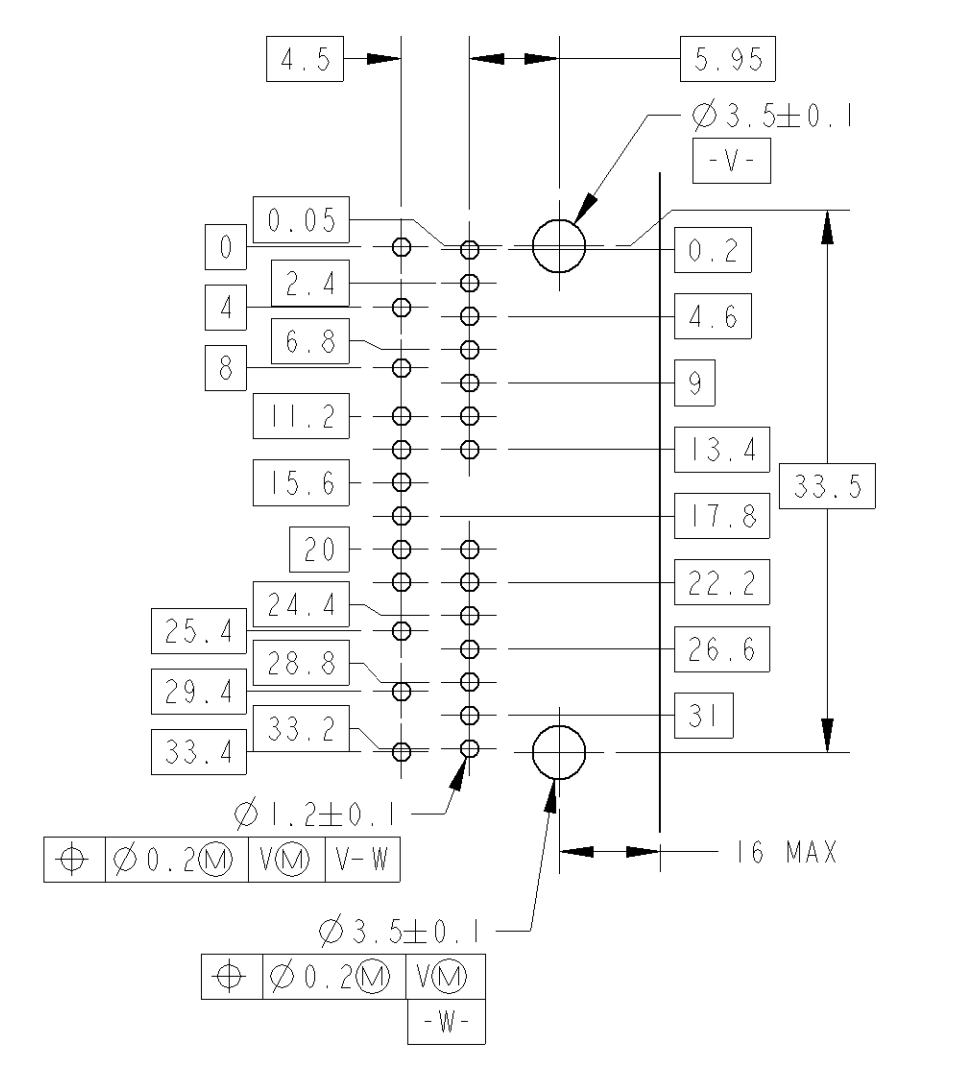
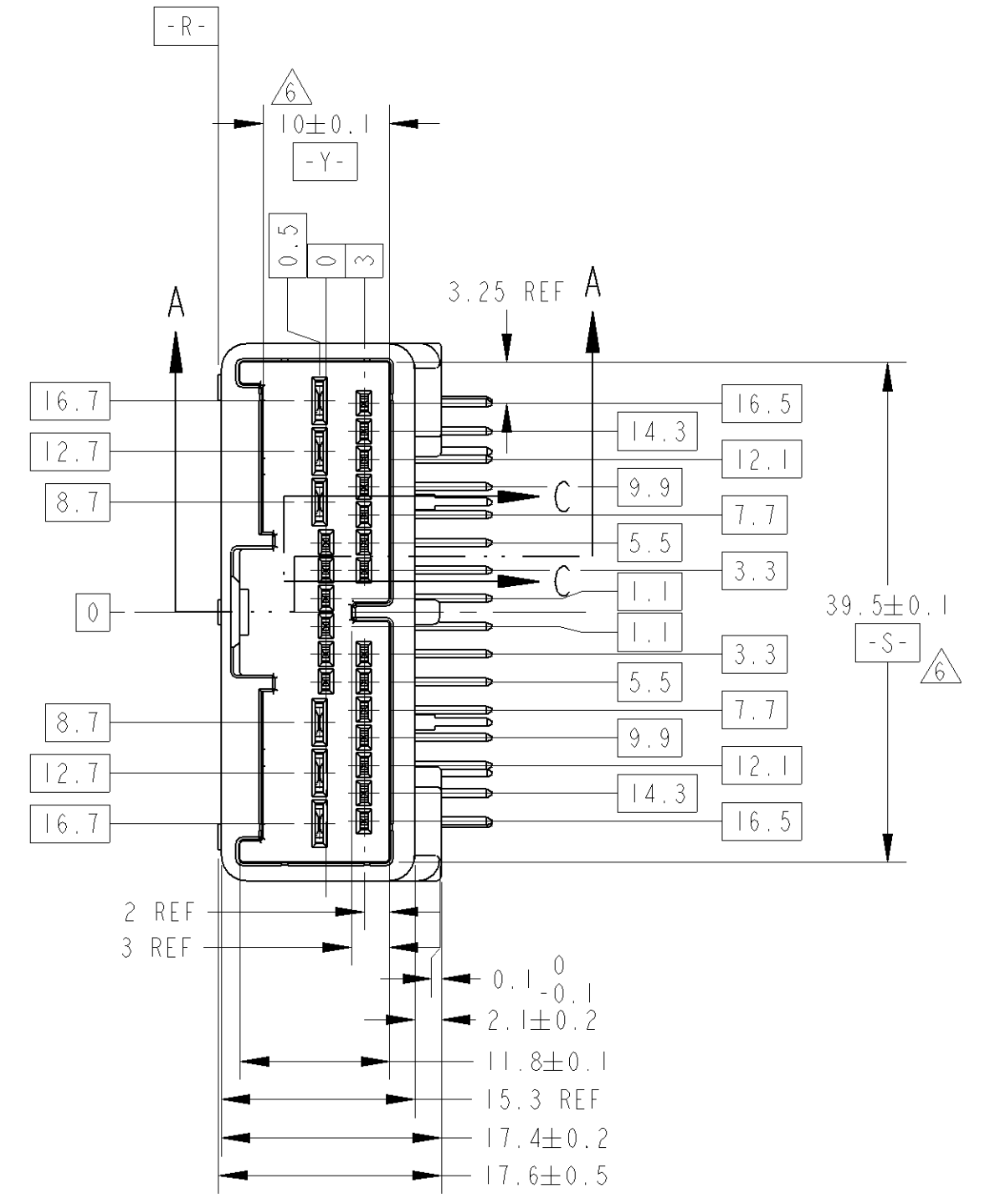
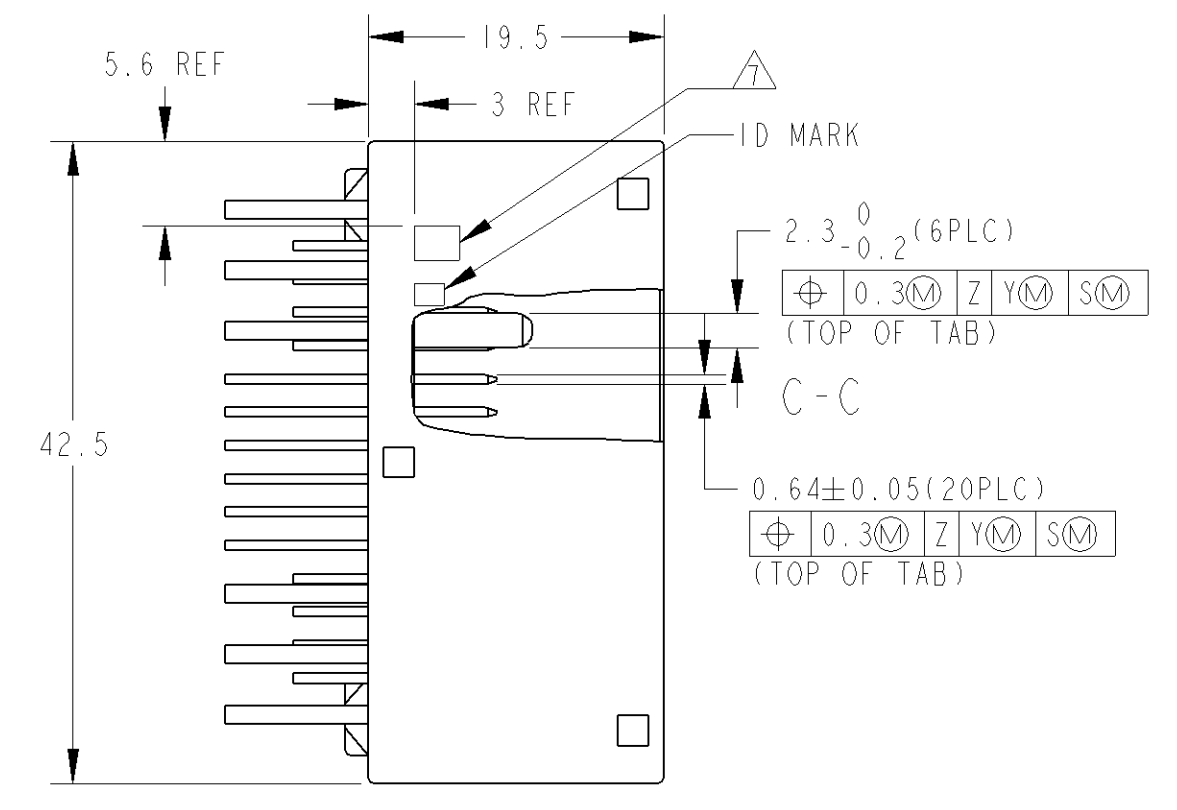
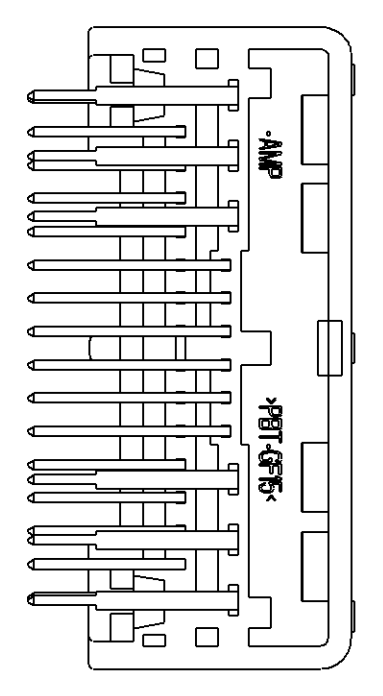
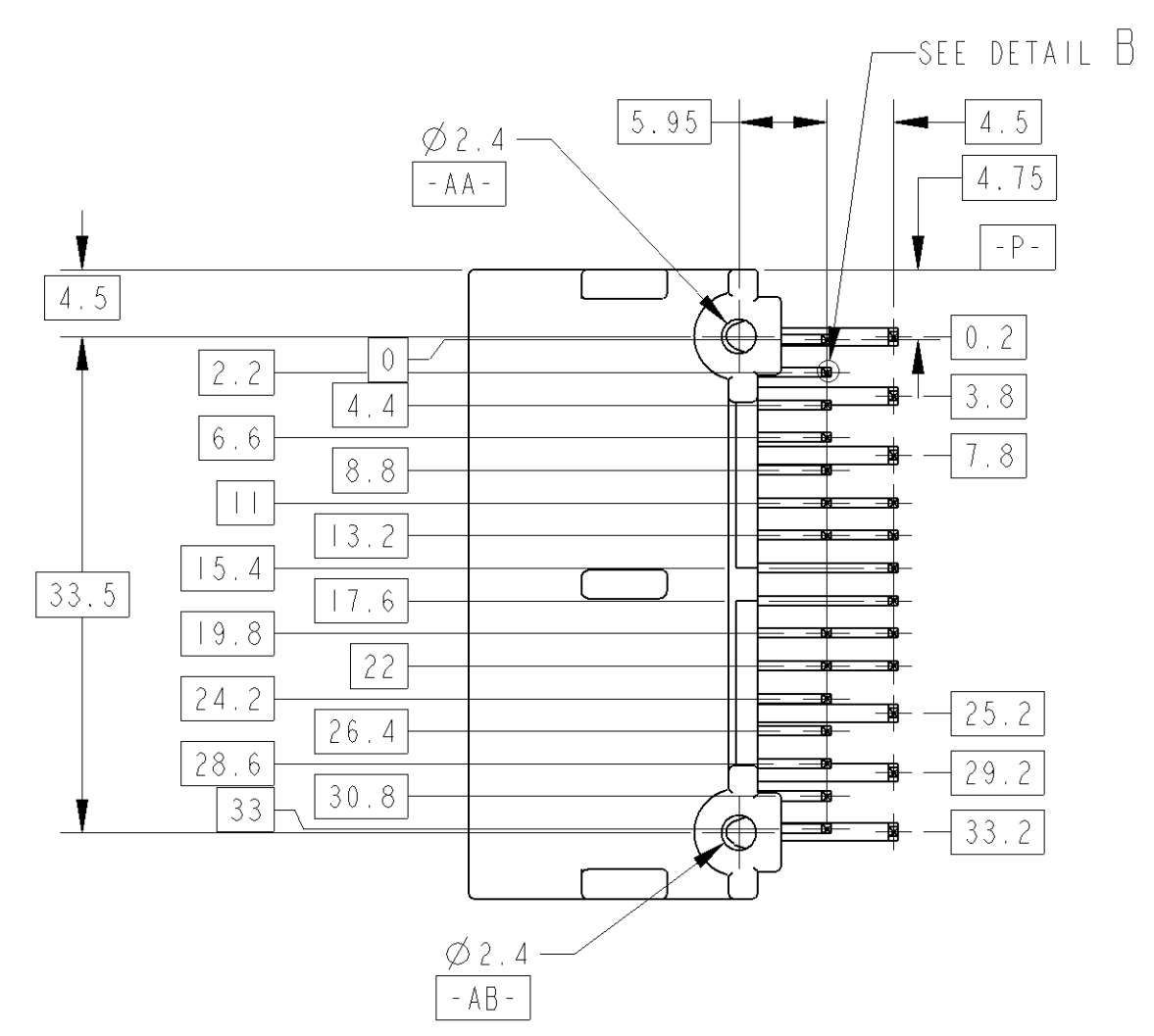
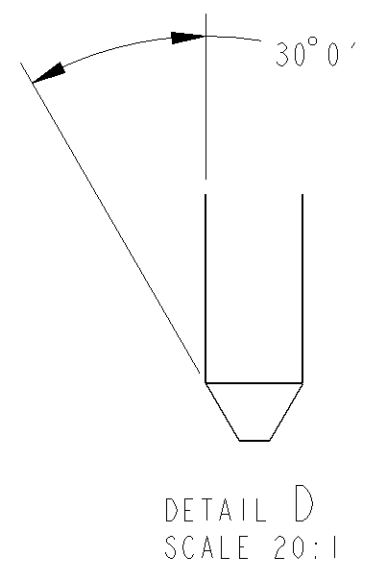
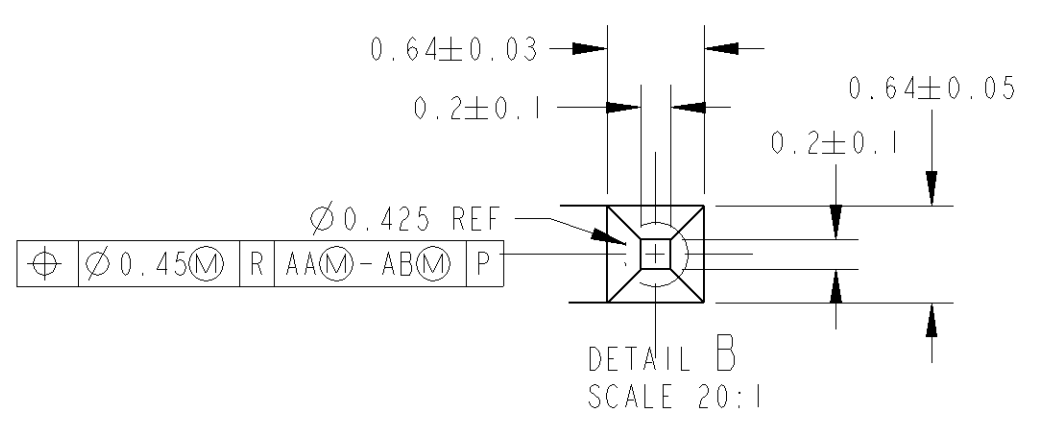
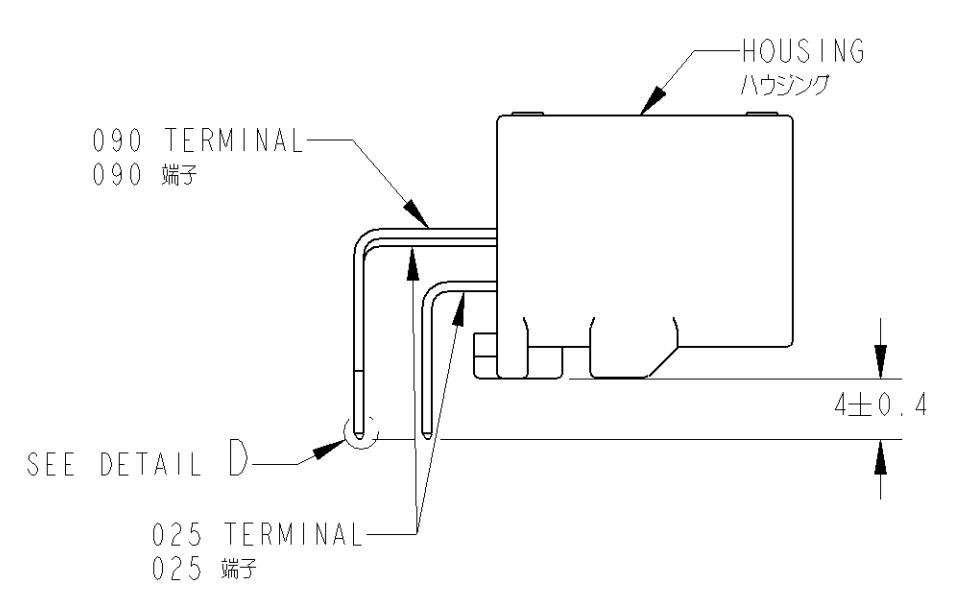
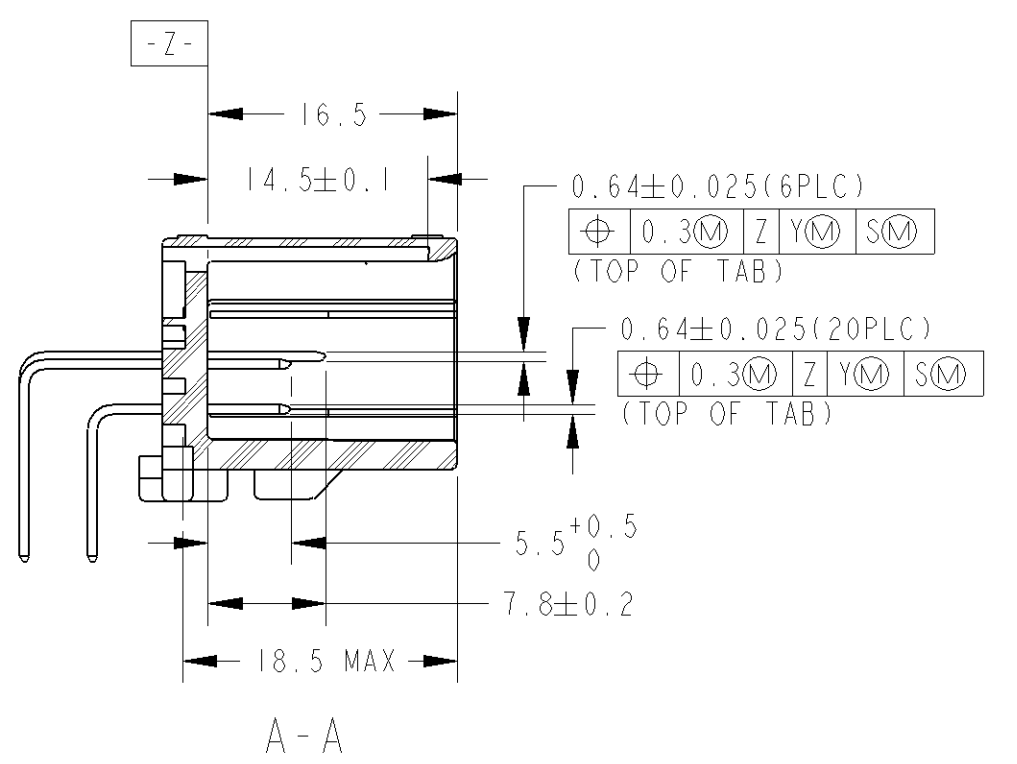


REV. NO.	DATE	BY	CHK	APPV
A	20JUN07	KF	HY	
A1	31OCT07	AY	HY	
A2	11NOV13	YS	TK	



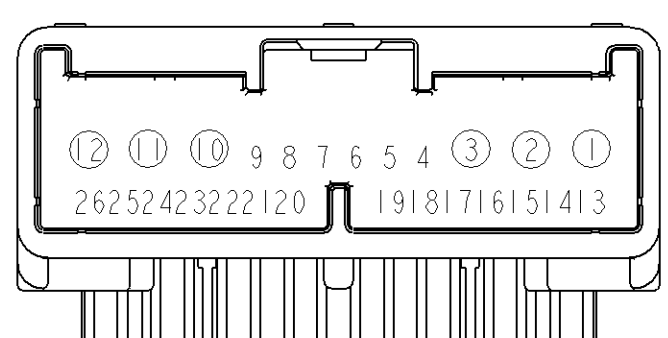
プリント基板取寸法図
DIMENSION FOR P.C. BOARD

THICKNESS OF PCB (mm)	1.2	1.6
NOMINAL LENGTH OF SCREW (mm)	5	6



1. 適合相手コネクタ品番: 1376360
 2. 図面番号: FIG. 1参照
 3. 適用規格: JIS B1115, B1122タッピングねじ、なべ2種、呼び径3、長さはTABLE-2参照
 4. ねじ締めトルク(参考): 0.392N・m MAX. 但し、管理側は別途規定すること
 5. 本製品の取扱は取扱説明書 No. 411-5927に従うこと
- △: -Z- からの8mmの位置で測定。
 △: コネクタ仕上識別マーク

1. MATING CONNECTOR PART NO.: 1376360
 2. CIRCUIT NUMBER: SEE FIG. 1
 3. APPLICABLE SCREW: PAN-HEADED, TYPE2 TAPPING SCREW OF NOMINAL DIAMETER 3mm REFER TO JIS B1115, B1122 LENGTH: SEE TABLE-2
 4. FASTENING TORQUE (FOR REFERENCE): 0.392N・m MAX BUT TORQUE FOR OPERATION SHOULD BE PROVIDED RESPECTIVELY
 5. HANDLING OF THIS PART SHOULD FOLLOW INSTRUCTION SHEET No. 411-5927
- △: MEASURED AT 8mm FROM -Z-
 △: MARKING FOR DESCERMENT OF THE CONTACT FINISH



①: パワー回路用 (FOR POWER CIRCUIT)
 △: FIG. 1 CIRCUIT NUMBERS

TABLE-1

CARTON BOX	PLASTIC TUBE	62	SELECTIVE-TIN (MATTE)	-	1-3 10-12	18-23	-	4-9 13-17, 24-26	NATURAL	6376357-4
PLASTIC BOX	PLASTIC TUBE	62	SELECTIVE-TIN (MATTE)	-	1-3 10-12	18-23	-	4-9 13-17, 24-26	NATURAL	6376357-2
CARTON BOX	PLASTIC TUBE	7	SELECTIVE-TIN (MATTE)	-	1-3 10-12	4-9 18-23	-	13-17, 24-26	NATURAL 自然色	1-1376357-6
PLASTIC BOX	PLASTIC TUBE	7	SELECTIVE-TIN (MATTE)	-	1-3 10-12	4-9 18-23	-	13-17, 24-26	NATURAL 自然色	1-1376357-5
OBSOLETE	CARTON BOX	3	SELECTIVE-TIN	-	1-3 10-12	4-9 18-23	13-17, 24-26	-	NATURAL 自然色	1376357-6
OBSOLETE	PLASTIC BOX	3	SELECTIVE-TIN	-	1-3 10-12	4-9 18-23	13-17, 24-26	-	NATURAL 自然色	1376357-5
CARTON BOX	PLASTIC TUBE	2	PRE-TIN TIN-LEAD	-	1-3 10-12	18-23	13-17, 24-26	-	NATURAL 自然色	1376357-4
CARTON BOX	PLASTIC TUBE	1	PRE-TIN TIN-LEAD	-	1-3 10-12	-	4-9 13-26	-	NATURAL 自然色	1376357-3
PLASTIC BOX	PLASTIC TUBE	2	PRE-TIN TIN-LEAD	-	1-3 10-12	18-23	13-17, 24-26	-	NATURAL 自然色	1376357-2
PLASTIC BOX	PLASTIC TUBE	1	PRE-TIN	-	1-3 10-12	-	4-9 13-26	-	NATURAL 自然色	1376357-1
OUTER 外表	INNER 内装				PRE-TIN	SELECTIVE-TIN	SELECTIVE GOLD	PRE-TIN	SELECTIVE-TIN	
PACKING STYLE 梱包形態			MARKING マーキング	SOLDERING SIDE 半田付け側	CONTACT SIDE 接触面側		CONTACT FINISH 端子仕上げ		COLOR 色	PART NUMBER 型番
					△ 09011 TAB POWER		△ 025 TAB SIGNAL			

THIS DRAWING IS A CONTROLLED DOCUMENT. DWN: R. NAGAI 14OCT2000
 CHK: T. HAYASHI 14OCT2000
 APVD: N. SAI 14OCT2000

DIMENSIONS: 単位: mm
 TOLERANCES UNLESS OTHERWISE SPECIFIED:
 公差: mm
 0-PLC ±0.3
 1-PLC ±0.3
 2-PLC ±0.3
 3-PLC ±0.3
 4-PLC ±0.3
 ANGLES ±1° 00'

MATERIAL: PBT:BRASS
 FINISH: SEE TABLE-1
 WEIGHT: 9.93 g

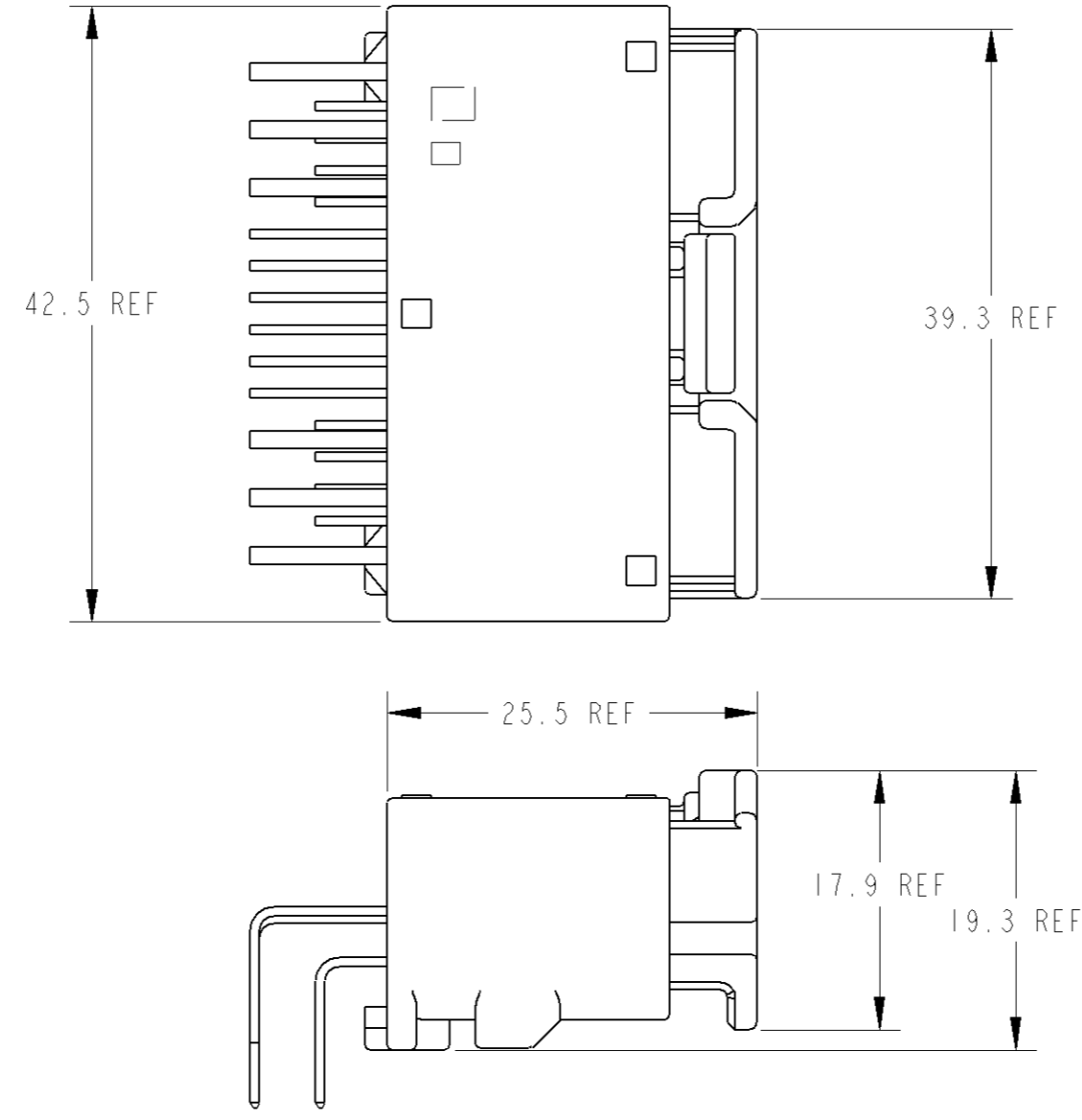
SIZE: A1
 CASE CODE: 00779
 DRAWING NO: 1376357
 SHEET: 1 OF 2
 REV: A2

TE Connectivity
 025/090 SERIES CONNECTOR
 26POSITION CAP HOUSING ASSEMBLY


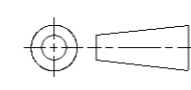
DATE: 2013.11.14
 DRAWING NO: 1376357
 SHEET: 1 OF 2
 REV: A2

THIS DRAWING IS UNPUBLISHED. RELEASED FOR PUBLICATION NOV, 2013
 © COPYRIGHT 2013 ALL RIGHTS RESERVED.

LOC	DIST	REVISIONS			
P	LTR	DESCRIPTION	DATE	DWN	APVD
J	—	SEE 1 OF 2			



CAP ASSEMBLY AND PLUG ASSEMBLY ENGAGEMENT DRAWING
 キャップアッセンブリー & プラグアッセンブリー 嵌合図

THIS DRAWING IS A CONTROLLED DOCUMENT.		DWN R. NAGAI 14OCT2000	 TE Connectivity					
DIMENSIONS: mm		CHK T. HAYASHI 14OCT2000			NAME 025/090 SERIES CONNECTOR 26POSITION CAP HOUSING ASSEMBLY			
		APVD N. SAI 14OCT2000						
TOLERANCES UNLESS OTHERWISE SPECIFIED: 一般公差 = ± 0.3 0-PLC ± 1-PLC ±0.1 2-PLC ±0.01 3-PLC ±0.001 4-PLC ±0.0001 ANGLES ±3'00"		PRODUCT SPEC SEE 1 OF 2	SIZE A3	CAGE CODE 00779	DRAWING NO. C=1376357	RESTRICTED TO —		
MATERIAL SEE 1 OF 2		FINISH SEE 1 OF 2	APPLICATION SPEC SEE 1 OF 2	WEIGHT SEE 1 OF 2	SCALE 2:1		SHEET 2 OF 2	REV A2
CUSTOMER DRAWING								