

PART NUMBER	PART DESCRIPTION	A	B	C
205925-0070	MULTICAT MID POWER PLUG HOUSING 20CKT, KEY A	38.78	41.78	28.78
205925-0071	MULTICAT MID POWER PLUG HOUSING 20CKT, KEY B	38.78	41.78	28.78
205925-0010	MULTICAT MID POWER PLUG HOUSING 8CKT, KEY A	19.18	22.18	14.99
205925-0011	MULTICAT MID POWER PLUG HOUSING 8CKT, KEY B	19.18	22.18	14.99

NOTES:

- HOUSING MATERIAL:
PEI, UL-94 V-0
COLOR: BLACK (FOR KEY-A)
COLOR: NATURAL (FOR KEY-B)
- USED WITH TERMINAL SERIES 202935.
- SHALL CONFIRM TO PRODUCT SPECIFICATION: 2059250000-PS
- APPLICATION SPECIFICATION: 2059250000-AS
- TESTING SUMMARY: 2059250000-TS
- COMPLY WITH PACKAGING SPECIFICATION: 2059250000-PK
- COSMETIC SPECIFICATION PS-45499-002 CLASS B
- RECOMMENDED TO USE INSERTION TOOL FOR TERMINAL INSERTION IN TO HOUSING CAVITY

THIS DRAWING CONTAINS INFORMATION THAT IS PROPRIETARY TO MOLEX ELECTRONIC TECHNOLOGIES, LLC AND SHOULD NOT BE USED WITHOUT WRITTEN PERMISSION									
DIMENSION UNITS	SCALE	CURRENT REV DESC: INITIAL RELEASE							
mm	2:1								
GENERAL TOLERANCES (UNLESS SPECIFIED)		EC NO: 611790			MULTICAT MID POWER PLUG HOUSING WTW				
ANGULAR TOL ± °		DRWN: MBELLE 2018/01/24							
4 PLACES ±		CHK'D: ISHWARG 2019/02/11			PRODUCT CUSTOMER DRAWING				
3 PLACES ±		APPR: ISHWARG 2019/02/11							
2 PLACES ± 0.25		INITIAL REVISION:			DOCUMENT NUMBER				
1 PLACE ±		DRWN: MBELLE 2018/01/24							
0 PLACES ±		APPR: ISHWARG 2019/02/11			2059250000-SD				
DRAFT WHERE APPLICABLE MUST REMAIN WITHIN DIMENSIONS		THIRD ANGLE PROJECTION							
		DRAWING			PSD				
		SERIES							
		A3-SIZE			000				
		205925							
		SEE TABLE			A				
		GENERAL MARKET							
		1 OF 2							

10

9

8

7

6

5

4

3

2

1

F

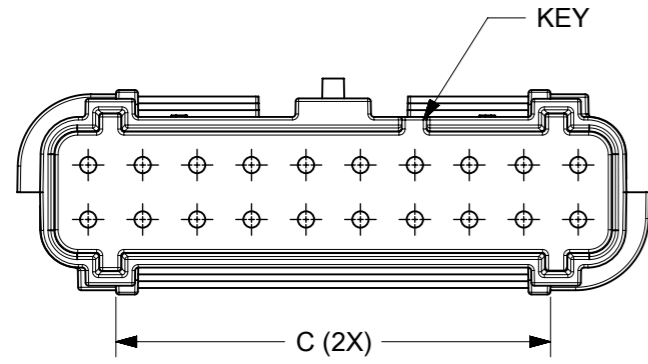
E

D

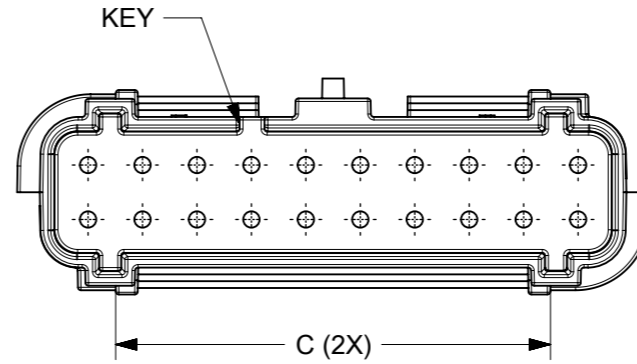
C

B

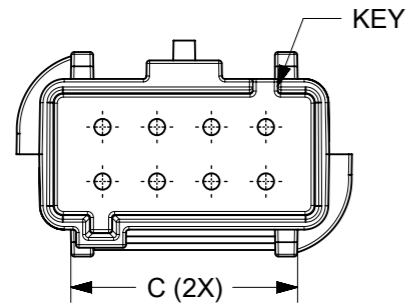
A



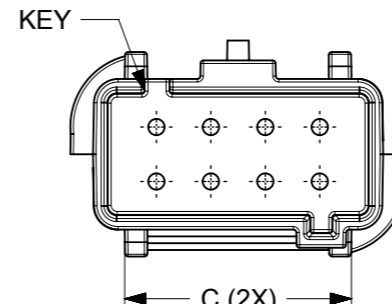
PN 2059250070
KEY A (BLACK)



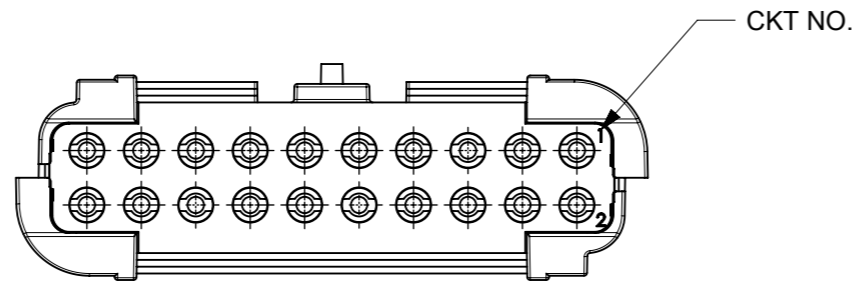
PN 2059250071
KEY B (NATURAL)



PN 2059250010
KEY A (BLACK)



PN 2059250011
KEY B (NATURAL)



THIS DRAWING CONTAINS INFORMATION THAT IS PROPRIETARY TO MOLEX ELECTRONIC TECHNOLOGIES, LLC AND SHOULD NOT BE USED WITHOUT WRITTEN PERMISSION									
DIMENSION UNITS mm		SCALE 2:1		CURRENT REV DESC: INITIAL RELEASE				molex	
GENERAL TOLERANCES (UNLESS SPECIFIED)				EC NO: 611790					
ANGULAR TOL ± °		4 PLACES ±		DRWN: MBELLE 2018/01/24		CHK'D: ISHWARG 2019/02/11		PRODUCT CUSTOMER DRAWING	
3 PLACES ±		2 PLACES ± 0.25		APPR: ISHWARG 2019/02/11		INITIAL REVISION:		DOCUMENT NUMBER	
1 PLACE ±		0 PLACES ±		DRWN: MBELLE 2018/01/24		APPR: ISHWARG 2019/02/11		2059250000-SD	
DRAFT WHERE APPLICABLE MUST REMAIN WITHIN DIMENSIONS		THIRD ANGLE PROJECTION		DRAWING A3-SIZE		SERIES 205925		MATERIAL NUMBER SEE TABLE	
						CUSTOMER GENERAL MARKET		DOC TYPE PSD	
								DOC PART 000	
								REVISION A	
								SHEET NUMBER 2 OF 2	

DOCUMENT STATUS	P1	RELEASE DATE	2019/02/11	17:41:03
-----------------	----	--------------	------------	----------

10 9 8 7 6 5 4 3 2 1