

THIS DRAWING IS UNPUBLISHED.

RELEASED FOR PUBLICATION

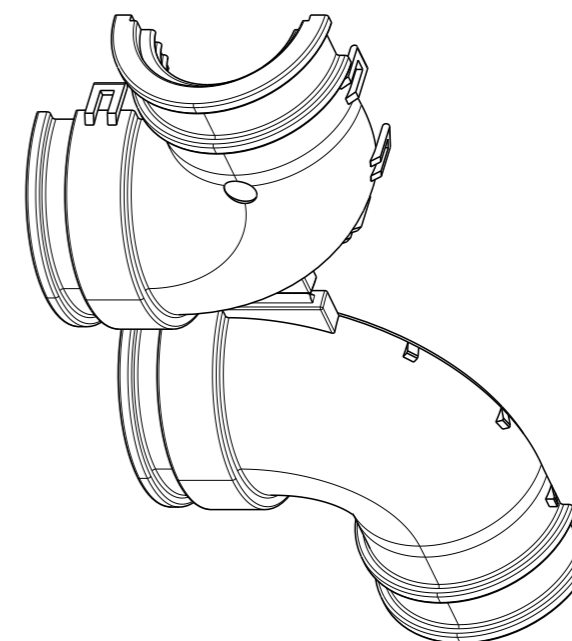
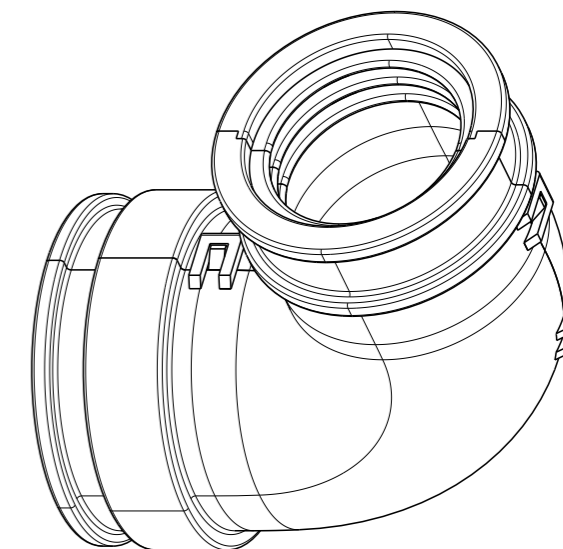
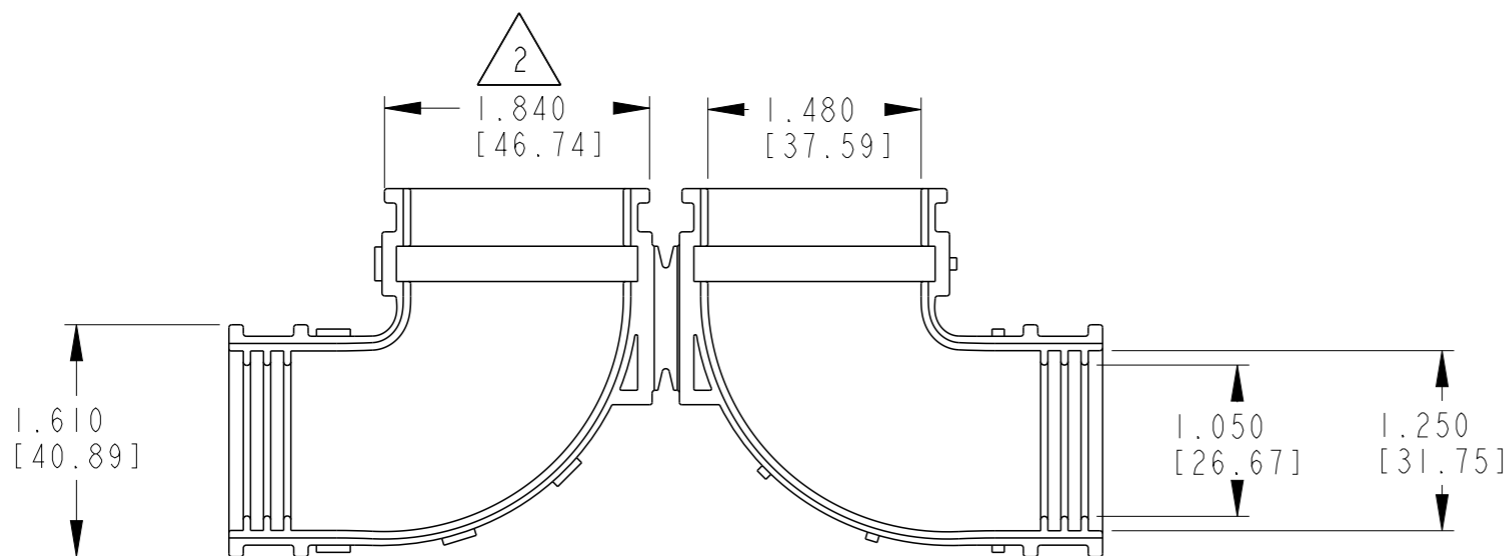
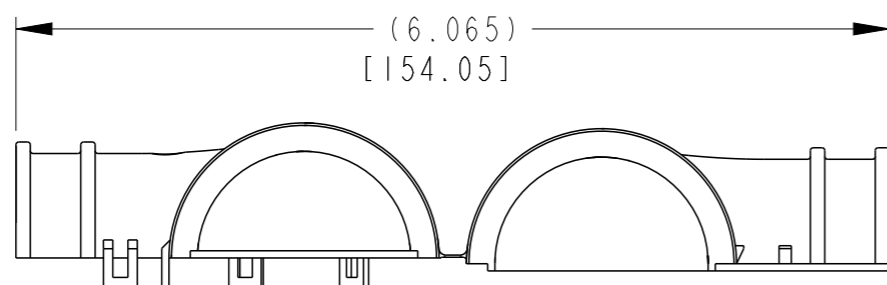
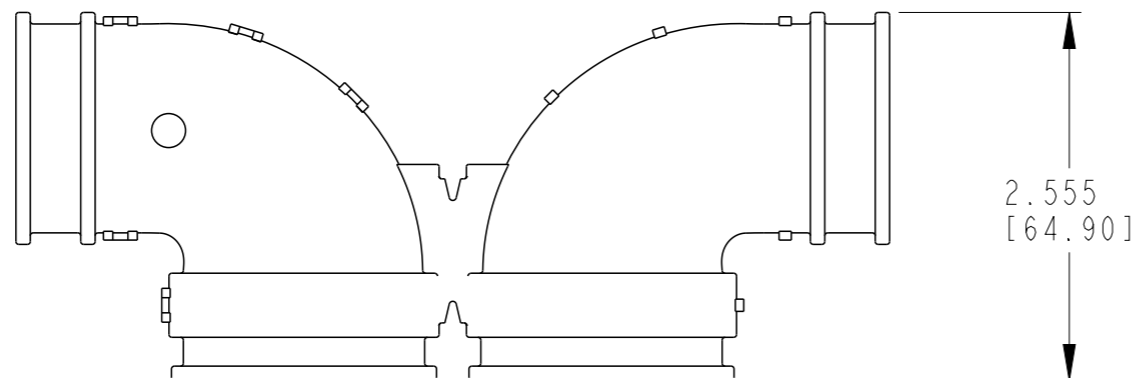
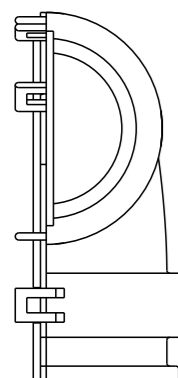
20

© COPYRIGHT 2017 BY - TE CONNECTIVITY

ALL RIGHTS RESERVED.

REVISIONS

P	LTR	DESCRIPTION	DATE	DWN	APVD
NC		NEW RELEASE PER E.O. PI5628	8MAY1998		RDR
A		REVISED PER E.O. PI7102	23JAN2001		RDR
A1		TEMPLATE CHANGE ONLY	31JAN2017	CM	DM
A2		REVISED PER PCN E-19-018920	04DEC2019	EC	IG



3. RECOMMENDED CONDUIT SIZE: 1"

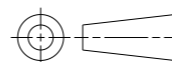
2. THIS DIMENSION APPLIES AFTER BACKSHELL MATED TO HDP24/26-XXP/SX-L017.

1. THIS PART MATES WITH HDP24/26-24-XXP/SX-L017. (XX = ARRANGEMENT; X = SEAL TYPE)

NOTES:

THIS DRAWING IS A CONTROLLED DOCUMENT.

DIMENSIONS:
INCHES [mm]



MATERIAL
PA66 (BLACK)

TOLERANCES UNLESS OTHERWISE SPECIFIED:

0 PLC	±
1 PLC	±
2 PLC	±
3 PLC	±.025 [0.64]
4 PLC	±
ANGLES	±0° 30' 0"

FINISH
-

DWN J. WOODY 29APR1998

CHK S. PALLUTH 17JAN2001

APVD R. REED 23JAN2001

PRODUCT SPEC

108-151015

APPLICATION SPEC

114-151015

WEIGHT

0.31 GR

CUSTOMER DRAWING



TE Connectivity

NAME
90DEG BACK SHELL 24 SIZE
HDP SERIES

SIZE CAGE CODE DRAWING NO RESTRICTED TO

A3 4AFU8 C-2428-004-2405 -

SCALE 1:1 SHEET 1 OF 1 REV A2