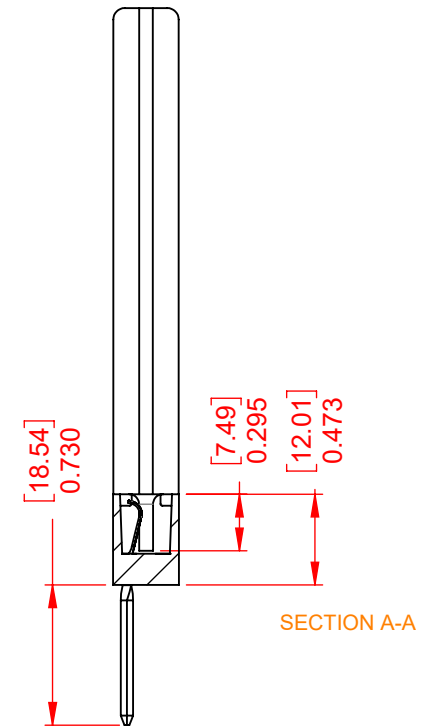
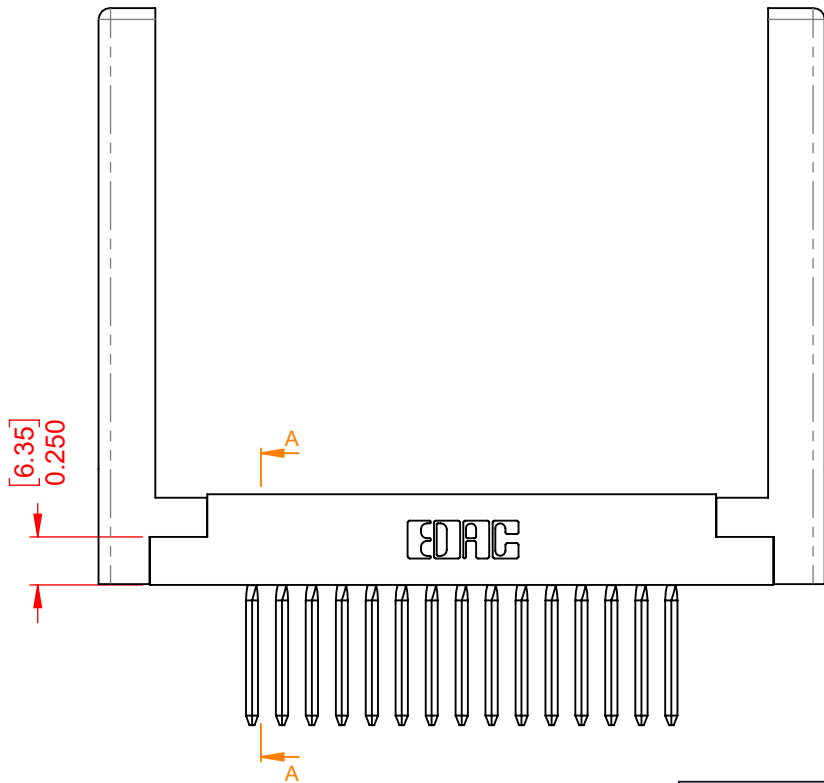
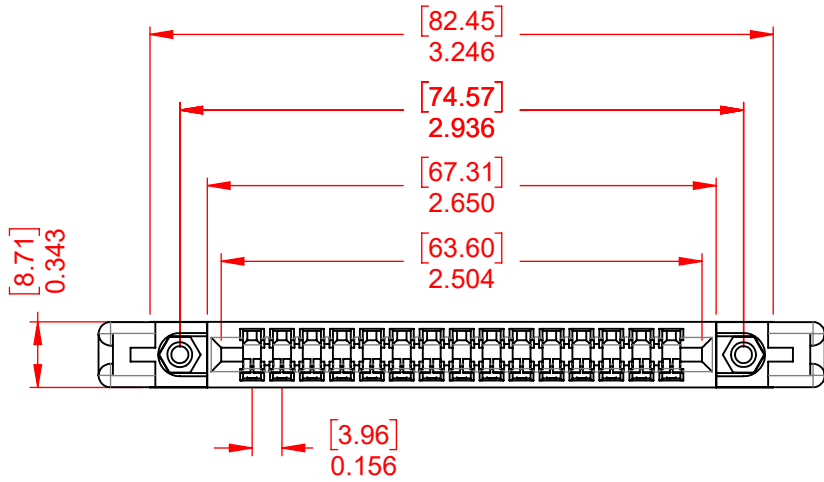


THIS IS A C.A.D. GENERATED DRAWING  
DO NOT MAKE MANUAL REVISIONS TO MASTER.



|              |   |
|--------------|---|
| ISSUE NUMBER |   |
| ORIGINAL     | ① |



### 338 SERIES CARD EDGE CONNECTOR

|                                  |                      |
|----------------------------------|----------------------|
| ACAD REFERENCE NO.: 338 Assembly |                      |
| DRAWN: C.B                       | DATE: March 24, 2020 |
| CHECKED:                         | DATE:                |
| SCALE: 1:1                       | SHEET 1 OF 1         |
| DRAWING NUMBER: 338 Assembly     | ISSUE                |
| PART NUMBER: 338-015-541-178     | 1                    |



THIS SERIES FULLY CONFORMS TO  
THE EUROPEAN UNION DIRECTIVES  
2011/65/EU FOR RoHS COMPLIANCY.



YOUR CONNECTION TO QUALITY & SERVICE

EDAC INC  
TORONTO, ONTARIO  
CANADA

THESE DRAWINGS AND SPECIFICATIONS  
ARE THE PROPERTY OF EDAC INC., AND  
SHALL NOT BE REPRODUCED, OR COPIED  
OR USED AS THE BASIS FOR THE  
MANUFACTURE OR SALE OF APPARATUS  
WITHOUT WRITTEN PERMISSION.