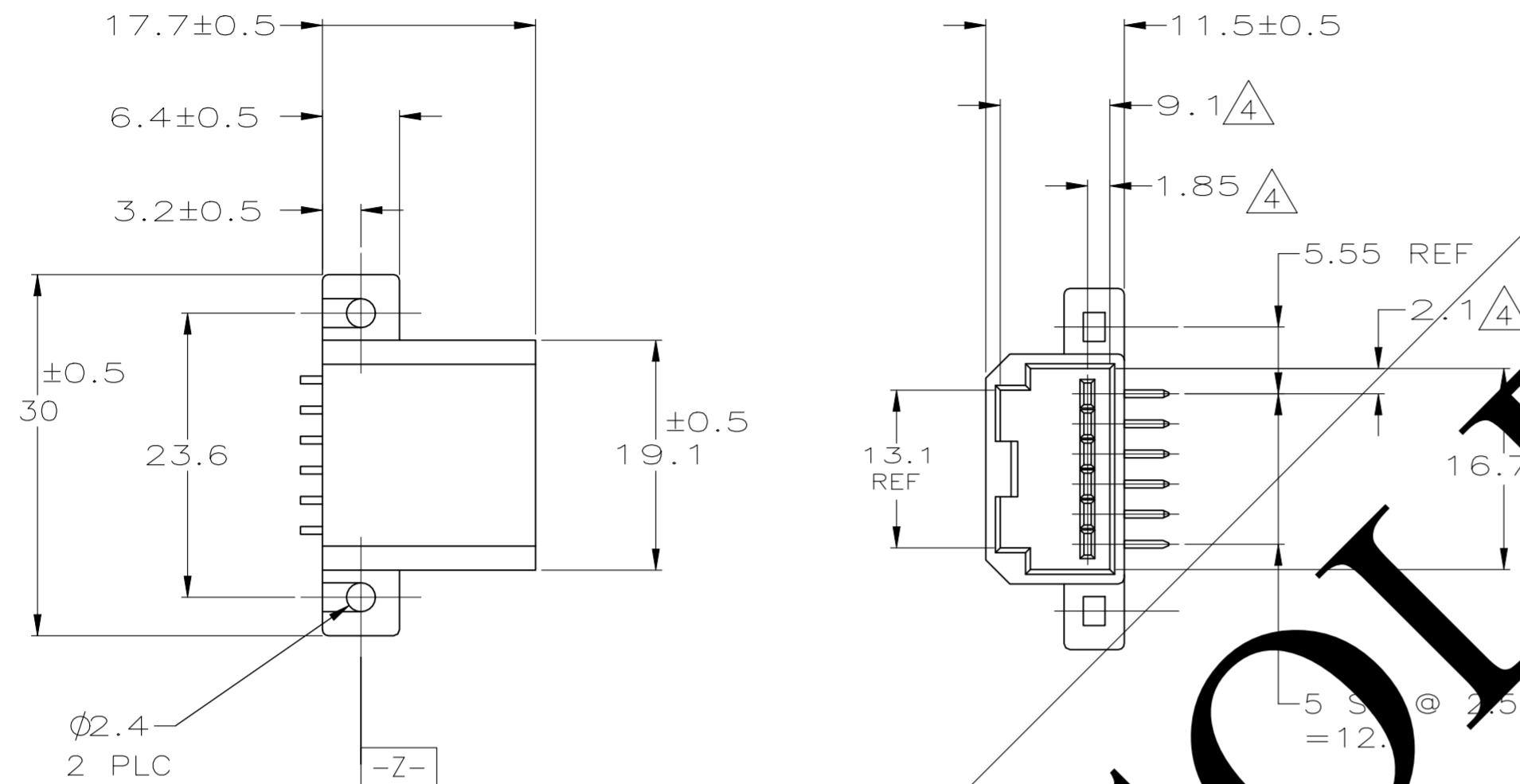
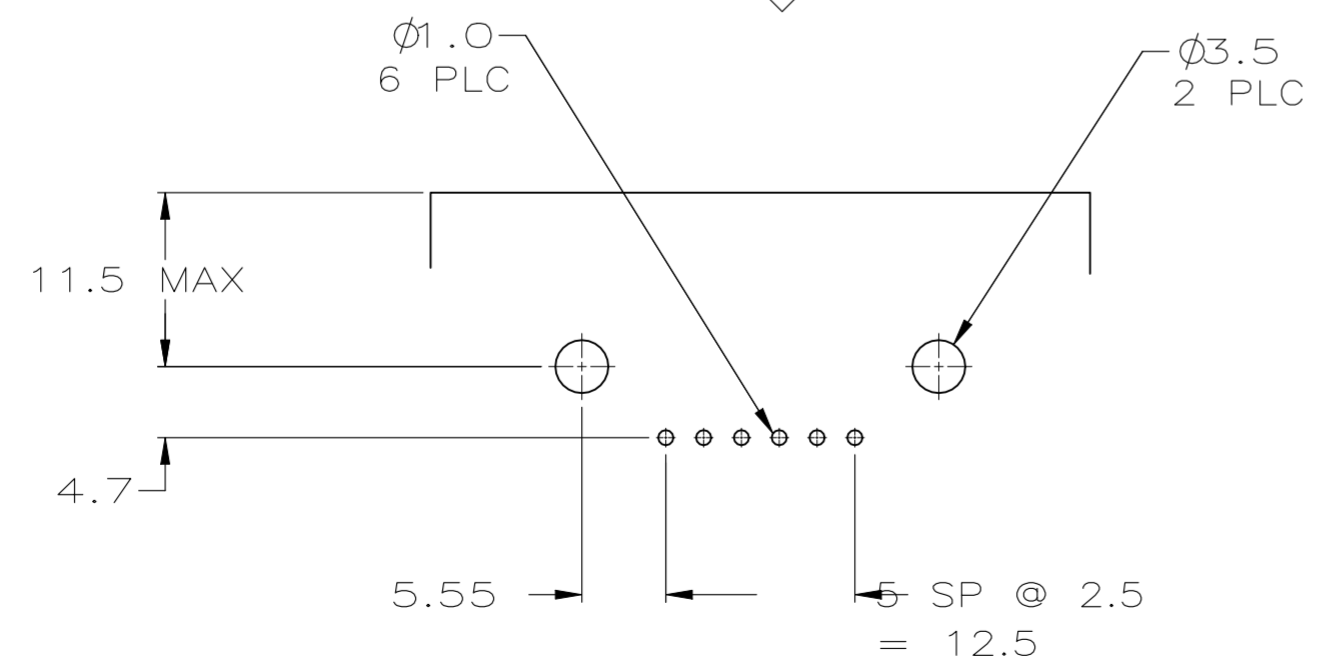
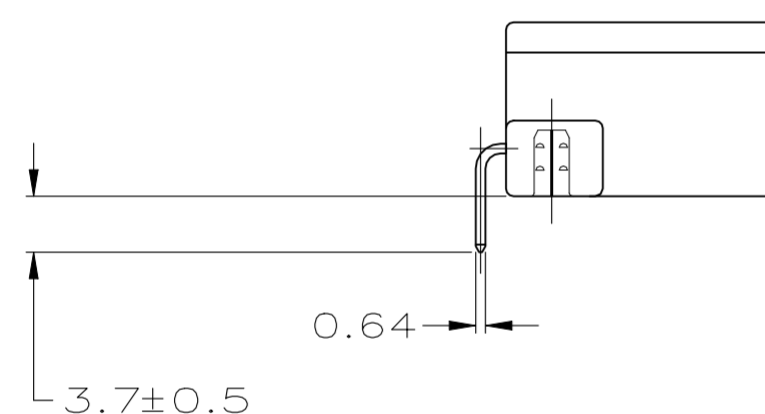


REVISIONS				
P	LTR	DESCRIPTION	DATE	APVD
B2		REV PER ECN-22-169269	17AUG2022	SKM MN



- 1. APPLICABLE P.C. BOARD THICKNESS: 1.6mm
- 2. MATING PLUG HOUSING PART NO. 638100
- 3. APPLICABLE PRODUCT SPEC. NO. 108-5281
- △ TO BE MEASURED WITHIN 2mm FROM **-Z-**

OBSOLETE



PRINTED CIRCUIT BOARD LAYOUT

BRASS	POST PLATED	PBT	NATURAL	638102-1
MATERIAL	FINISH	MATERIAL	COLOR	PART NO
PIN		HOUSING		
THIS DRAWING IS A CONTROLLED DOCUMENT.		DWN P. COLLINS 8-4-97		
		CHK D. STILLIE 8-4-97		
		APVD S. KROEGER 8-4-97		
DIMENSIONS: mm		TOLERANCES UNLESS OTHERWISE SPECIFIED:	NAME: 6 POSN CAP HOUSING ASSY, .040.SERIES MULTI-LOCK I/O CONN	
		0 PLC ± - 1 PLC ± 0.2 2 PLC ± 0.25 3 PLC ± - 4 PLC ± - ANGLES ± -	APPLICATION SPEC: -	
MATERIAL: SEE TABLE	FINISH: SEE TABLE	WEIGHT: 0.000000	SIZE: A2	CAGE CODE: 00779
		CUSTOMER DRAWING	DRAWING NO: C-638102	RESTRICTED TO: -
		SCALE: 2:1	SHEET: 1 of 1	REV: B2