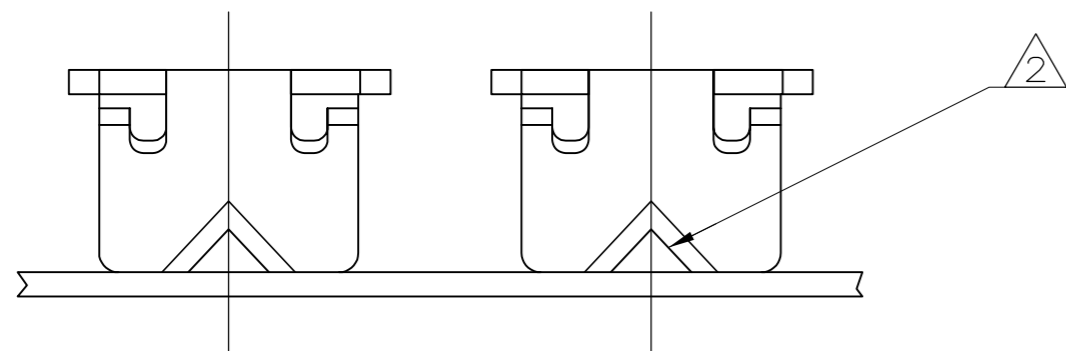
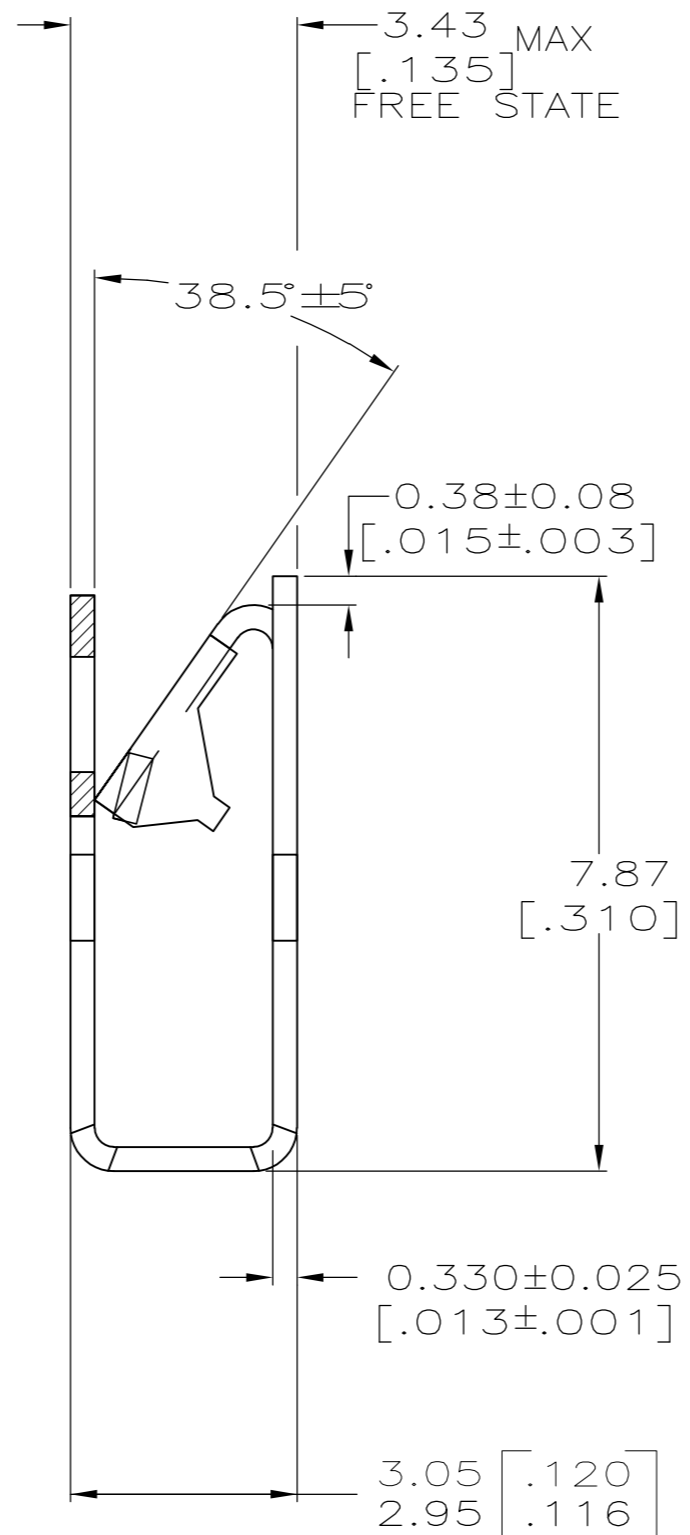
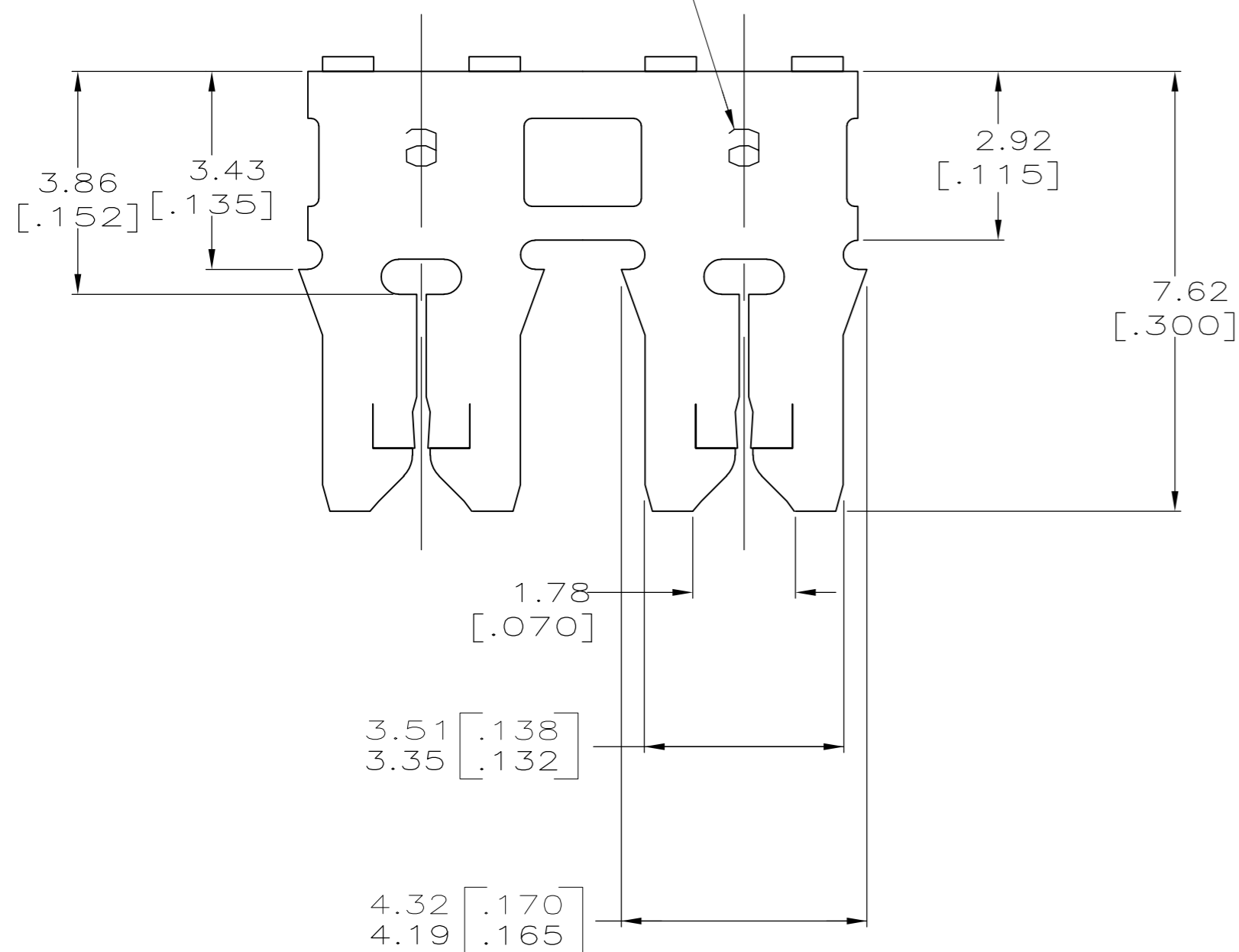


THIS DRAWING IS UNPUBLISHED. RELEASED FOR PUBLICATION  
 © COPYRIGHT - By - ALL RIGHTS RESERVED.

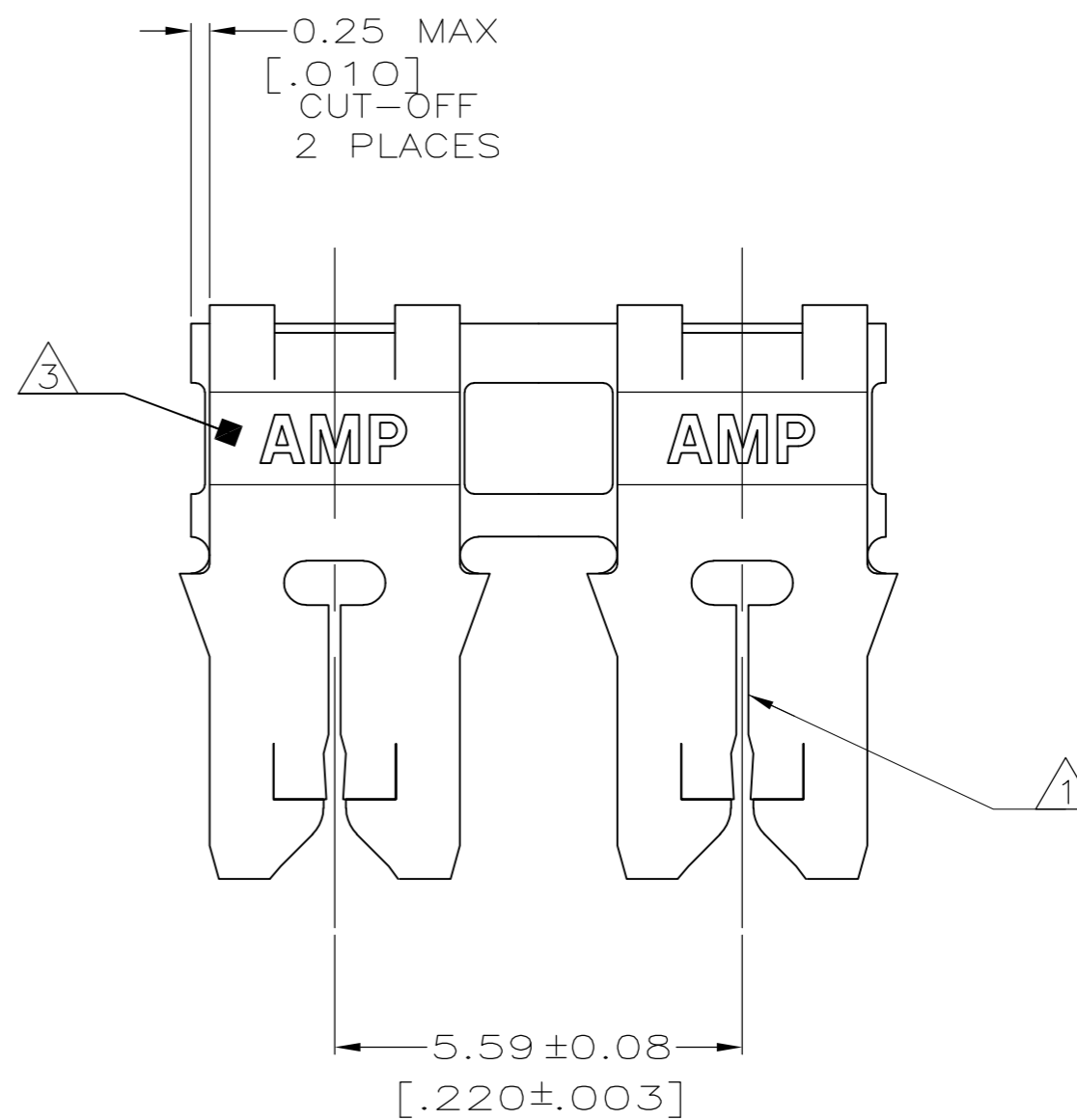
LOC		DIST		REVISIONS			
P	LTR	DESCRIPTION		DATE	DWN	APVD	
AF	50	B2	ECR-15-005665	10AUG2015	BDA	PKS	



IDENTIFICATION NUMBER 6 FOR MAGNET WIRE RANGE



- ① SLOT TERMINATES EITHER A SINGLE OR DOUBLE MAGNET WIRE OF THE SAME SIZE AND TYPE. COPPER RANGE: 0.25-0.36mm [#30-#27] AWG. ALUMINUM RANGE: 0.32-0.45mm [#28-#25] AWG. ALUMINUM WIRE RANGE APPLIES FOR POST-TIN PLATED VERSIONS ONLY.
- ② POKE-IN ACCEPTS A 0.5-0.9mm<sup>2</sup> [#20-#18] AWG SOLID OR FUSED STRANDED LEAD WIRE.
- ③ BLUE COLORING ON THIS SURFACE TO PROVIDE CODING OF MAGNET WIRE RANGE



63885-1

THIS DRAWING IS A CONTROLLED DOCUMENT.		DWN R.GRZYBOWSKI 22/NOV/95	<b>TE</b> TE Connectivity		
DIMENSIONS: INCHES		CHK M.S.FEHER 22/NOV/95			
TOLERANCES UNLESS OTHERWISE SPECIFIED:		APVD NELSON E NEFF 22/NOV/95	NAME TERMINAL, POKE-IN, DUAL LOOSE PIECE, 300 SERIES MAG-MATE™		
0 PLC ± - 1 PLC ± - 2 PLC ± 0.25 [.010] 3 PLC ± - 4 PLC ± - ANGLES ± -		PRODUCT SPEC 108-2012	SIZE A2	CAGE CODE 00779	DRAWING NO 63885
MATERIAL BRASS		FINISH TIN PLATED	WEIGHT -	SCALE 10:1	SHEET 1 of 1
CUSTOMER DRAWING			RESTRICTED TO -	REV B2	