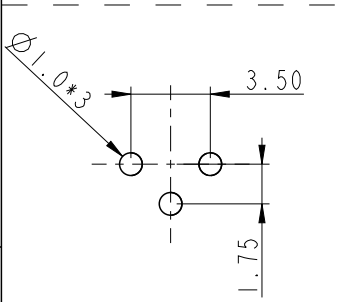
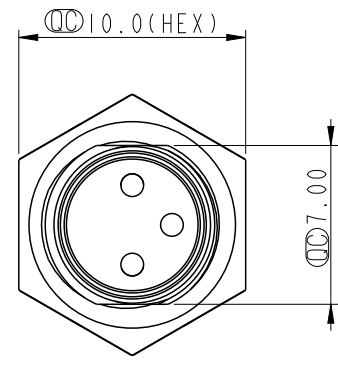
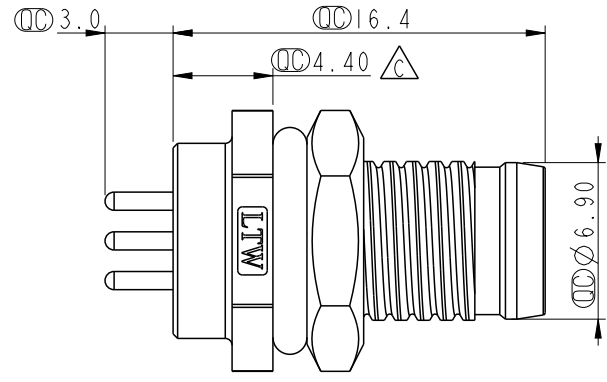
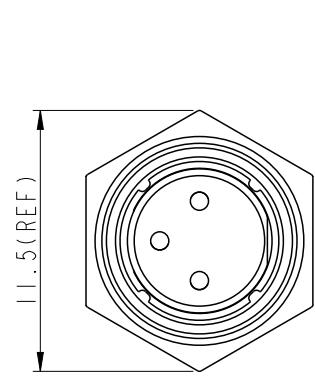
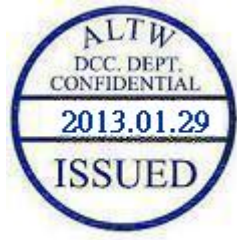
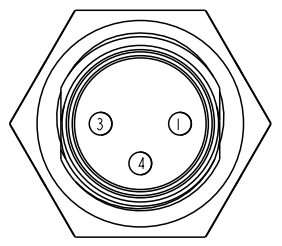
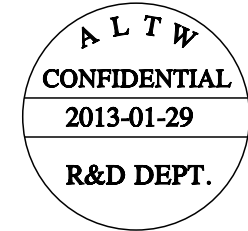
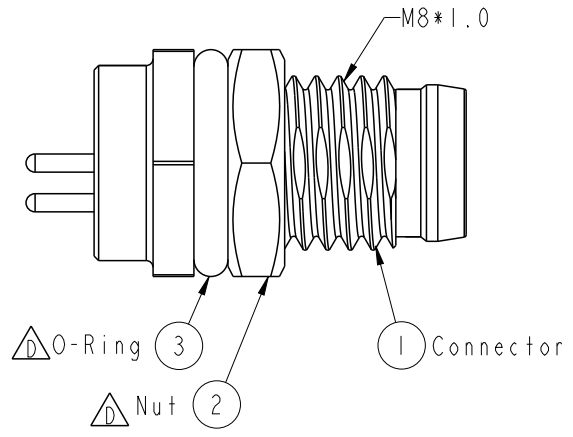


THIS DOCUMENT IS SUBJECT TO CHANGE WITHOUT NOTICE. IT IS CONFIDENTIAL AND A PROPERTY OF AMPHENOL LTW. DISCLOSURE TO THIRD PARTY HAS TO BE AUTHORIZED BY AMPHENOL LTW.

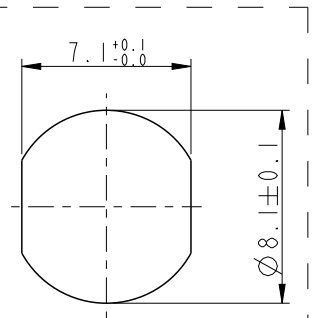
REV.	ECN NO.	DATE	SIGN	DESCRIPTION
B	LEN-7A0172	2007/09/29	Myrdal	Added Note
C	LEN-910178	2009/01/07	Ivan Lin	Change rev. to ECN note
D	LEN1310099	2013/01/24	Galaxy	Change Balloon Mark.



3 Pin Male Connector  
Male Pin PCB Layout



Pin Assignments  
Front View



Recommended  
Panel Cut-Out

- Note:
- \*  $\varnothing$  Important Dimension.
  - \* Waterproof Rate: IP67
  - \* Housing: Black, Nylon+GF
  - \* Male Pin: Copper Alloy, Gold Plated
  - \* Shield: Zinc Alloy, Nickel Plated
  - \* Nut: Copper Alloy, Nickel Plated
  - \* O-Ring: Black, EPDM
  - \* For Panel Thickness Max 3.0mm
  - \* Nut Torque: 4-6 kgf.cm

UNIT:mm		
TOLERANCE	.X ±0.25	
.XX ±0.1		
.XXX ±0.05		
ANGLES	±1°	

TITLE	M8 Conn Panel Screw 3P M Conn M Pin		
SCALE	3:1	SIZE	A4
REV.	D	WC-REV.	B.1
		$\varnothing$	Inspection item

**Amphenol LTW**  
安費諾亮泰企業股份有限公司

ITEM NO	8-03PMMP-SF7001	DRAWN BY	Galaxy	DATE	2013-01-29
DWG NO	8-03PMMP-SF7001	CHECKED BY	Aric	DATE	2013-01-29
CUSTOMER	ALTW	APPROVED BY	Maslow	DATE	2013-01-29