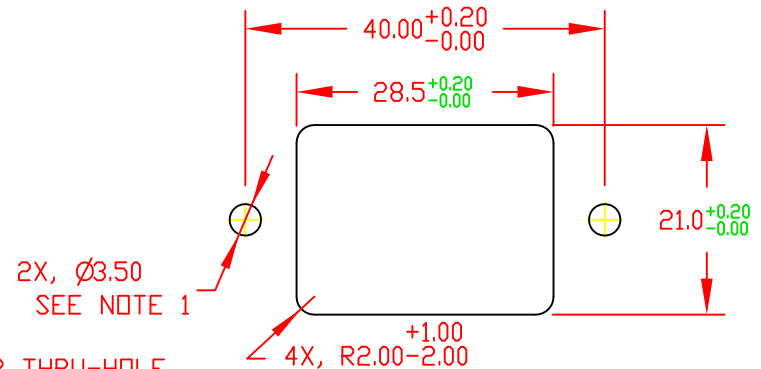


PANEL CUTOUT
FRONT SIDE MOUNTING



PANEL CUTOUT
REAR SIDE MOUNTING

NOTE 1: RECOMMENDED DIAMETER FOR THRU-HOLE (SCREW/NUT COMBINATION) HARDWARE MOUNTING METHOD. OTHER METHODS WILL REQUIRE HOLES WITH DIFFERENT DIMENSIONS AND PARAMETERS.

THIS DOCUMENT AND ITS CONTENTS ARE THE PROPRIETARY CONFIDENTIAL PROPERTY OF INTERPOWER CORPORATION. NO USE OR COPIES MAY BE MADE WITHOUT WRITTEN PERMISSION FROM INTERPOWER CORPORATION.

DIMENSIONS IN MILLIMETERS

TITLE: C14 Screw Mount Inlet w/Solder Tab Contacts

DRAFT BY: DDF DATE: 10/28/15

DRAFTING APPROVAL: DDF DATE: 10/28/15

PART NUMBER: 83030110

MATERIAL:

DO NOT SCALE

INTERPOWER CORPORATION

SHEET 1 OF 1

REV	CHANGE DESCRIPTION	DATE	INITIALS
C	Added N. American ratings to face view.	10/11/16	DDF
B	Updated cutout dims. to better match old part.	7/21/16	DDF
A	Introduction of new product.	10/28/15	DDF