

60mm sq.

San Ace 60



General Specifications

- Material Frame: Plastics (Flammability: UL94V-0),
Impeller: Plastics (Flammability: UL94V-0)
- Expected Life Refer to specifications (L10:Survival rate:90% at 60°C ,
rated voltage, and continuously run in a free air state)
- Lead Wire ⊕red ⊖black (Sensor) yellow
- Storage Temperature -30°C to +70°C (Non-condensing)

60×60×10mm (Mass : 35g) **9GA**type **Low Power Consumption Fan**

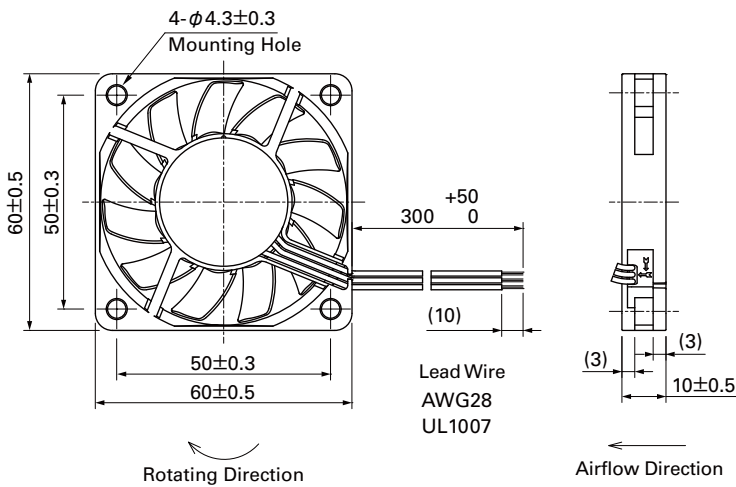


Specifications

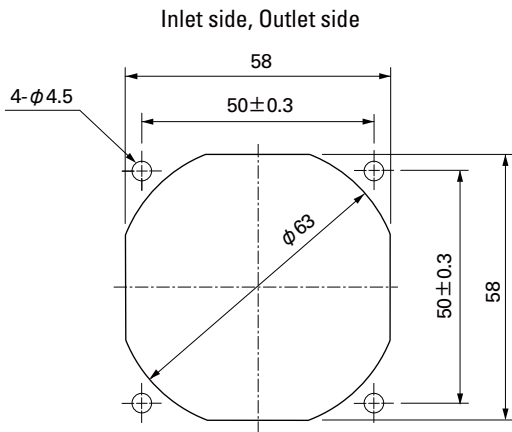
The following nos. **have pulse sensors.**

Model No.	Rated Voltage [V]	Operating Voltage Range [V]	Rated Current [A]	Rated Input [W]	Rated Speed [min ⁻¹]	Max. Airflow [m ³ /min] [CFM]	Max. Static Pressure [Pa] [inchH ₂ O]	SPL [dB(A)]	Operating Temperature [°C]	Expected Life [h]
9GA0612G9001	12	7.0 to 13.2	0.27	3.24	6,200	0.62 21.9	66 0.26	43	-20 to +60	40,000/60°C (70,000/40°C)
9GA0612H9001		7.0 to 13.8	0.14	1.68	5,000	0.50 17.6	42.9 0.17	37	-20 to +70	
9GA0612L9001			0.03	0.36	2,300	0.23 8.1	9.1 0.037	17	-10 to +70	

Dimensions (unit: mm) (With ribs)



Reference Dimensions of Mounting Holes and Vent Opening (unit: mm)

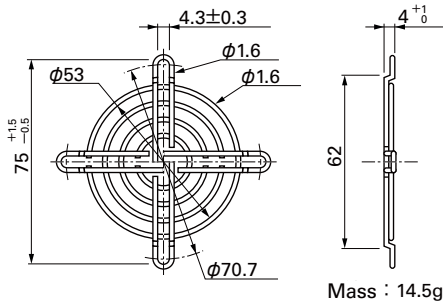


Options (unit: mm)

Finger Guards

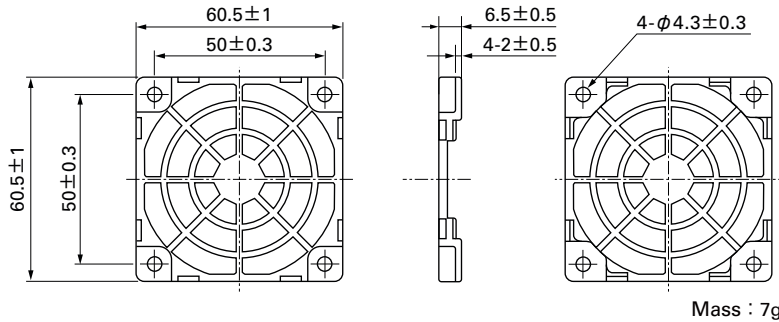
Model : 109-139E Surface treatment : Nickel-chrome plating Color
 : 109-139H : Cation electropainting (black)

Inlet side, Outlet side



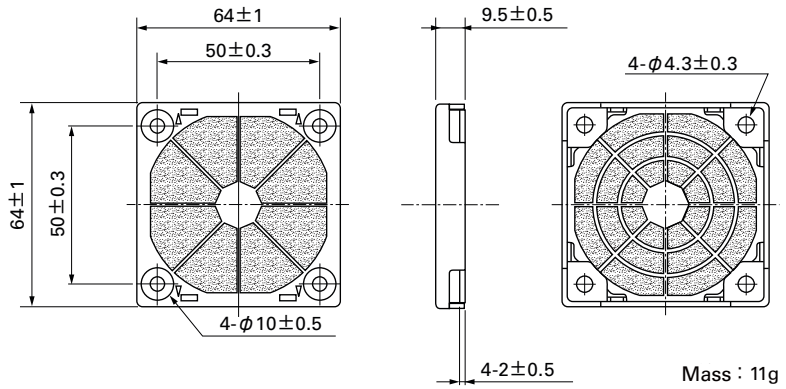
Resin Finger Guards

Model : 109-1003G

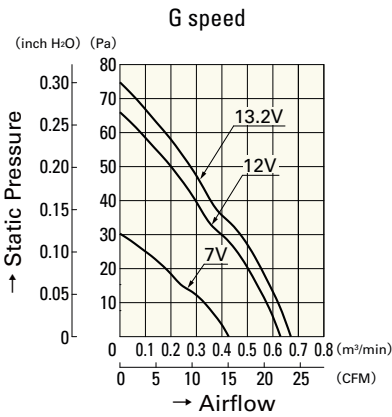


Resin Filter Kits

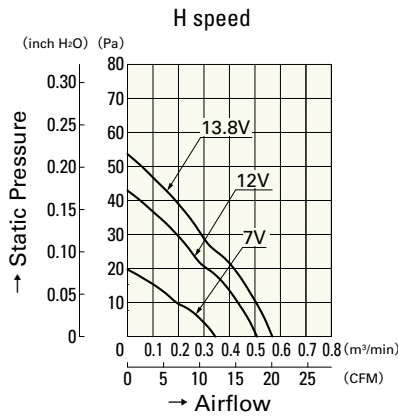
Model : 109-1003F13 (13PPI), 109-1003F20 (20PPI)
 : 109-1003F30 (30PPI), 109-1003F40 (40PPI)



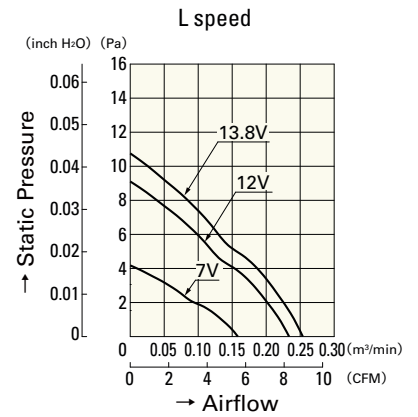
Airflow - Static Pressure Characteristics



9GA0612G9001



9GA0612H9001



9GA0612L9001