

11.2 GHz Surface Mount Bandpass Filter

B112MB1S

DESCRIPTION

One of DLI's surface mountable catalog bandpass filters. This filter utilizes DLI's low loss temperature stable materials which offer small size and minimal performance variation over temperature. The catalog BPF's are offered in a variety of frequency bands, which offers a drop in solution with highly repeatable performance.

FEATURES

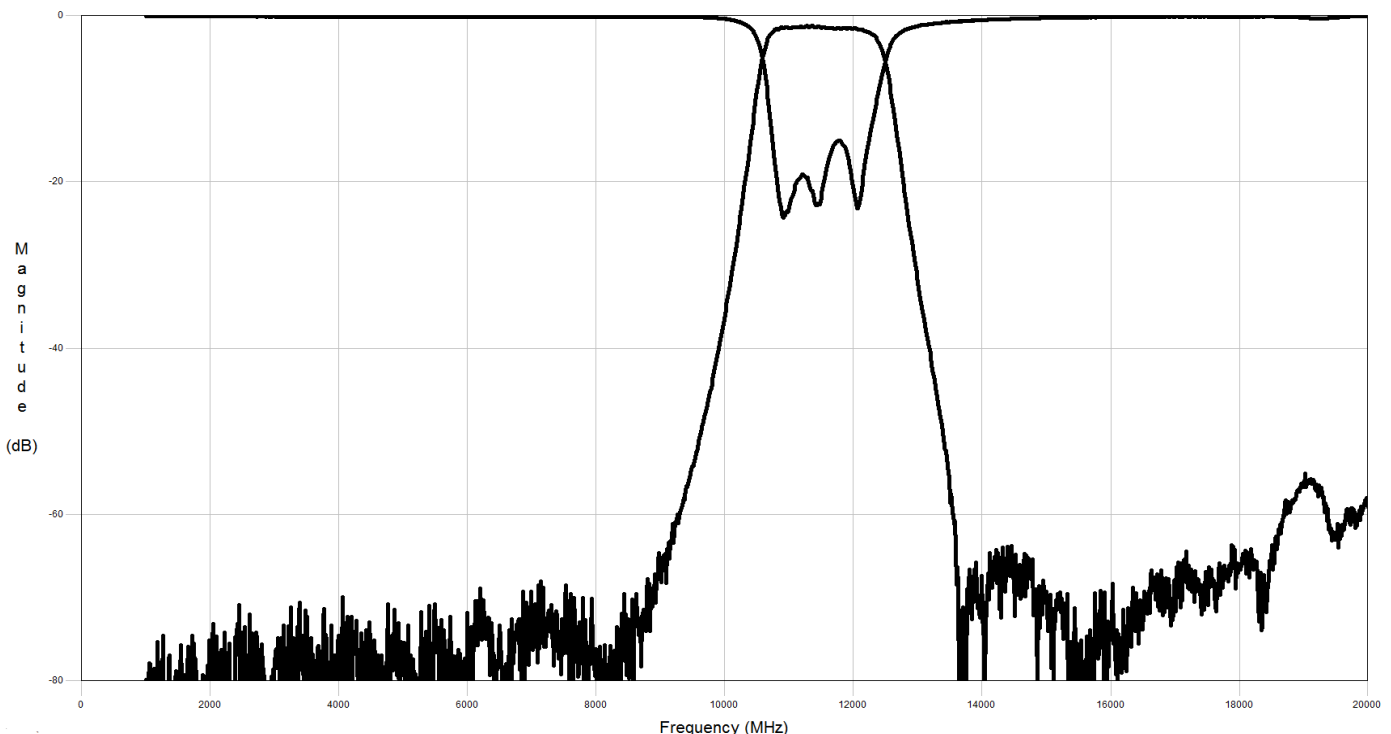
- Small Size
- Fully Shielded Component
- Solder Surface Mount Package
- Moisture Sensitivity Level: MSL1
- Frequency Stable over Temperature
- Operating & Storage Temp: -55°C to +125°C
- Characteristic Impedance: 50Ω

SPECIFICATIONS*

Parameter	Frequency Range (GHz)	Min	Typ.	Max
Insertion Loss (dB)	10.75 - 11.75	-	2.5	2.75
Return Loss (dB)		9.5	12	-
Low Side Rejection (dB)	DC - 9.4	45	50	-
High Side Rejection (dB)	13.25 - 20.0	40	45	-
Input Power (W)				TBD
Size (L x W x H)	0.400 x 0.150 x 0.103 in 10.16 x 3.8 x 2.61 mm			

*Electrical specifications based on typical probed performance at room temperature. Insertion loss shall vary up to ±0.5dB over

Typical Measured Performance

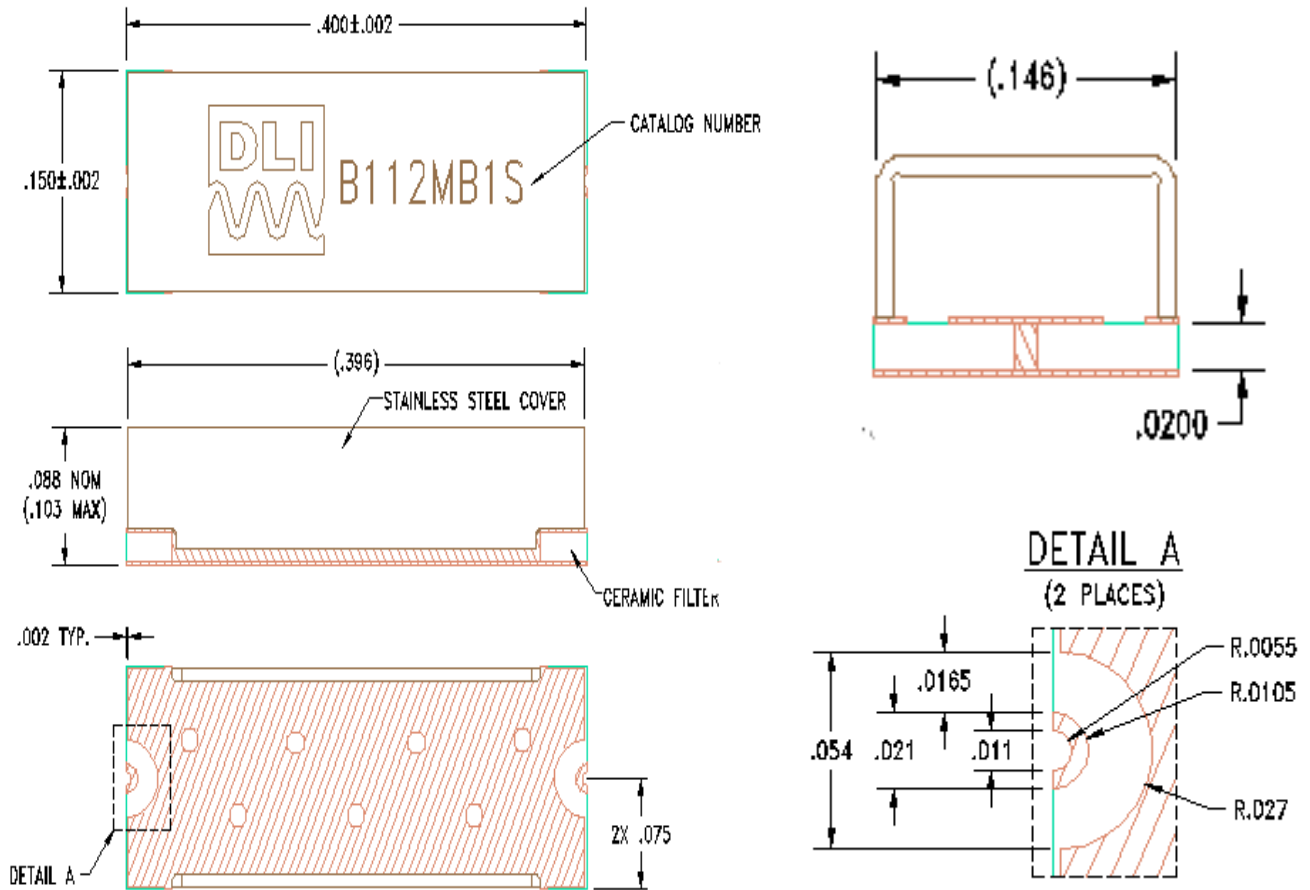


11.2 GHz Surface Mount Bandpass Filter

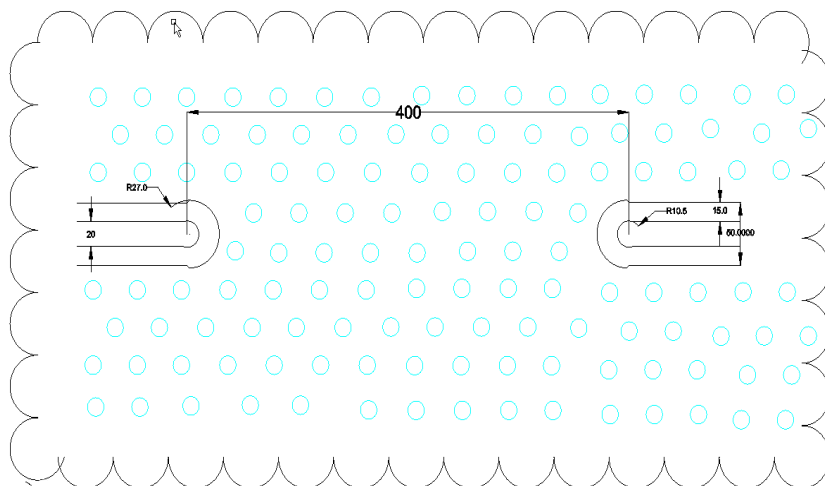
B112MB1S

Physical Dimensions

Units = inches



Recommended PCB Layout



- 50Ω trace dimensions are application specific.
- Ensure adequate grounding beneath the part.

