

* SEE THE DEMO MANUAL FOR LED CURRENT RATING

NOTE: UNLESS OTHERWISE SPECIFIED

1. ALL RESISTORS AND CAPACITORS 0603.
2. ALL RESISTORS ARE 1%.

CUSTOMER NOTICE

LINEAR TECHNOLOGY HAS MADE A BEST EFFORT TO DESIGN A CIRCUIT THAT MEETS CUSTOMER-SUPPLIED SPECIFICATIONS; HOWEVER, IT REMAINS THE CUSTOMER'S RESPONSIBILITY TO VERIFY PROPER AND RELIABLE OPERATION IN THE ACTUAL APPLICATION. COMPONENT SUBSTITUTION AND PRINTED CIRCUIT BOARD LAYOUT MAY SIGNIFICANTLY AFFECT CIRCUIT PERFORMANCE OR RELIABILITY. CONTACT LINEAR TECHNOLOGY APPLICATIONS ENGINEERING FOR ASSISTANCE.

THIS CIRCUIT IS PROPRIETARY TO LINEAR TECHNOLOGY AND SUPPLIED FOR USE WITH LINEAR TECHNOLOGY PARTS.

APPROVALS

PCB DES. RB

APP ENG. ANDY R

SCALE = NONE



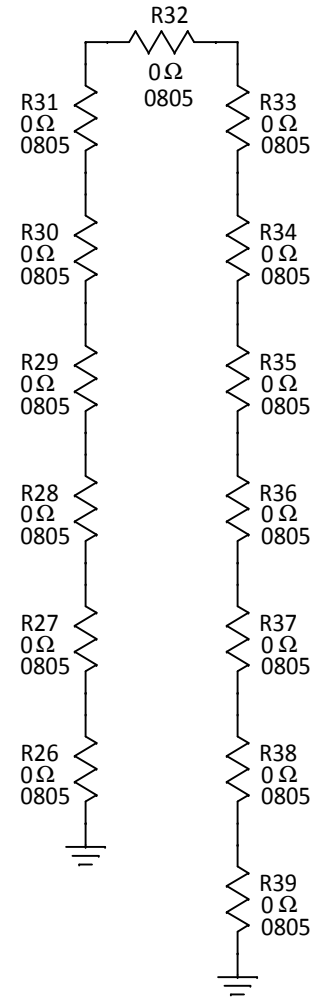
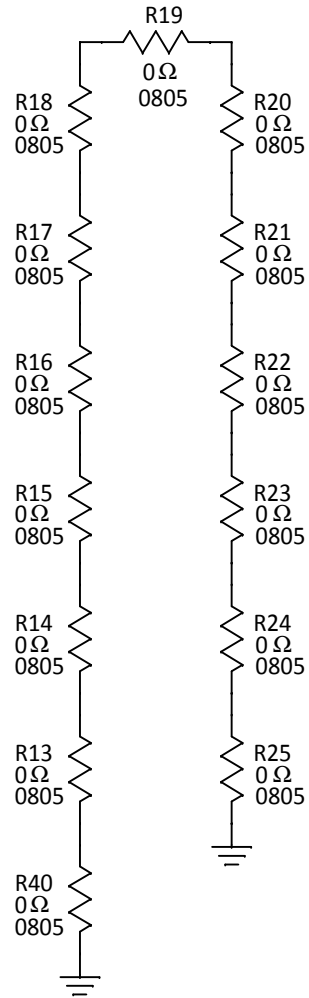
1630 McCarthy Blvd.
Milpitas, CA 95035 www.linear.com
Phone: (408)432-1900
Fax: (408)434-0507


LTC CONFIDENTIAL - FOR CUSTOMER USE ONLY

TITLE: SCHEMATIC 2-STRING, 2MHz STEP-UP LED DRIVER WITH ±1.8% CURRENT MATCHING

SIZE	IC NO.	REV.
N/A	LT3909EDD	3
DEMO CIRCUIT 2176A		

MODIFY DATE: Jul 29, 2015 2176A_00_REV3 SHEET 1 OF 2



APPROVALS			1630 McCarthy Blvd. Milpitas, CA 95035 www.linear.com Phone: (408)432-1900 Fax: (408)434-0507	
PCB DES.			LTC CONFIDENTIAL - FOR CUSTOMER USE ONLY	
APP ENG.		TITLE: SCHEMATIC 2-STRING, 2MHz STEP-UP LED DRIVER WITH ±1.8% CURRENT MATCHING		
		SIZE	IC NO.	REV.
		N/A	LT3909EDD DEMO CIRCUIT 2176A	3
SCALE = NONE		MODIFY DATE: Jul 29, 2015		SHEET 2 OF 2